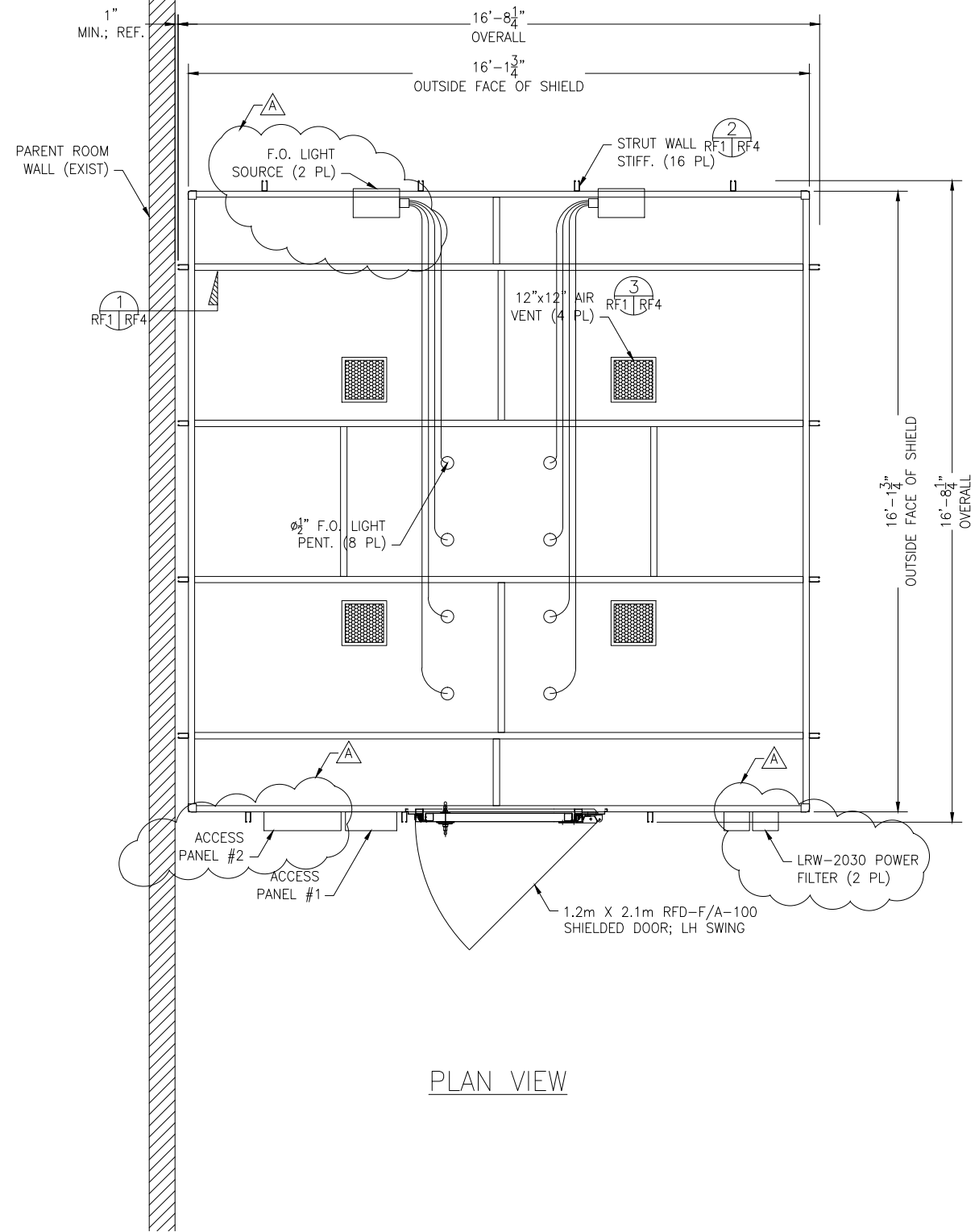
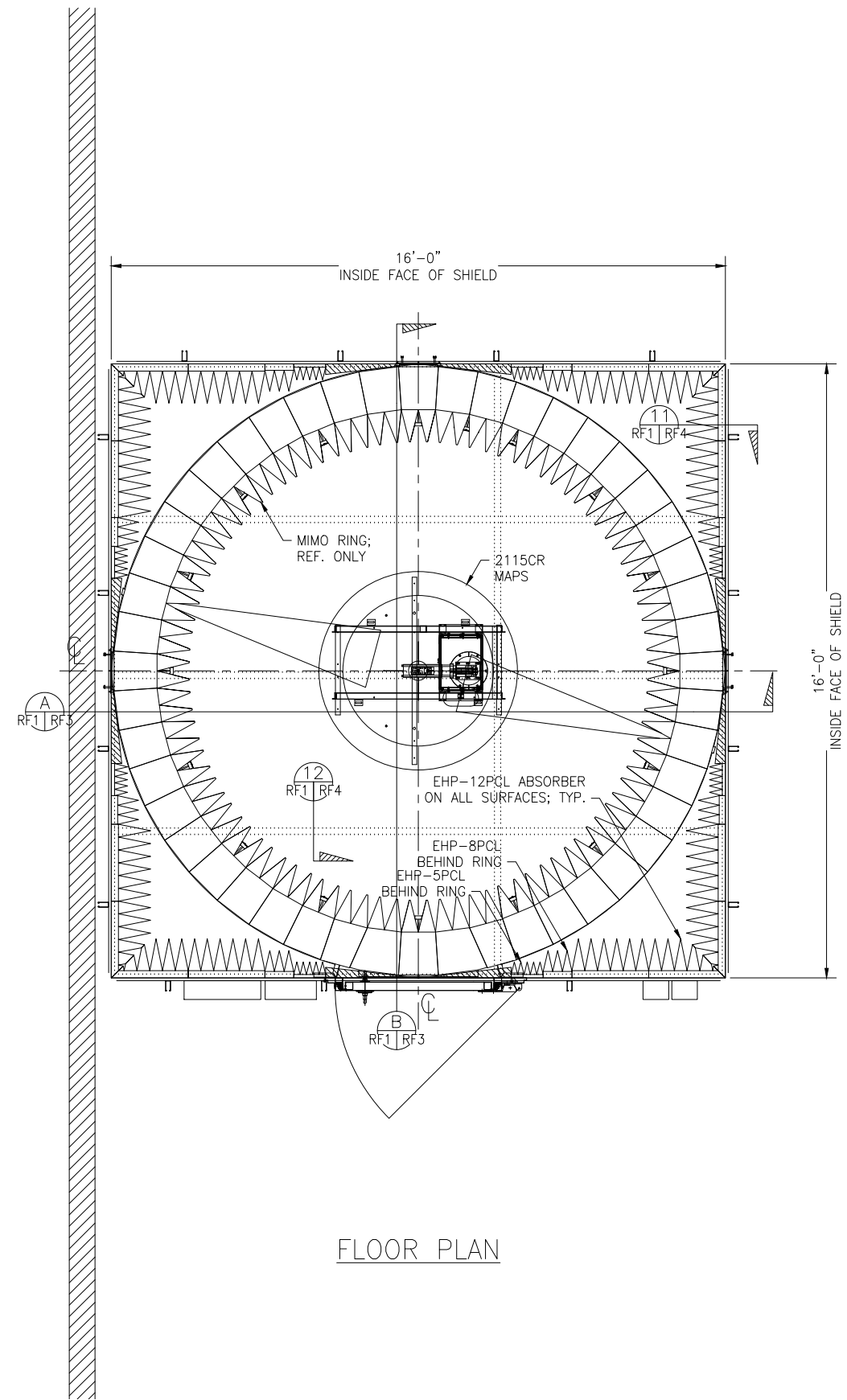


NOTE:

FIELD LOCATE ALL FILTERS, PENETRATIONS AND CONNECTOR PANELS.



PLAN VIEW



FLOOR PLAN

SHEET TITLE: **PLAN VIEWS**

This document and the information contained herein are the property of LINDGREN RF ENCLOSURES, INC. Glendale Heights, Illinois. Recipient agrees NOT to: (1) reproduce, copy, disseminate, or otherwise use this information for any purpose whatsoever without the express written permission of ETS LINDGREN, (2) furnish such information to any other person, in whole or in part without the express written permission of ETS LINDGREN.

REV.	DATE	REV PER	CLIENT COMMENTS
A	1/5/12		

PROJECT TITLE: **BROADCOM AMS-8700**

ADDRESS: **COLORADO SPRINGS, CO**

DRAWN BY: **CM**

CHECKED BY:

DATE: **12/2/11**

SCALE: **1/2" = 1'-0"**

JOB NO: **PJ1553**

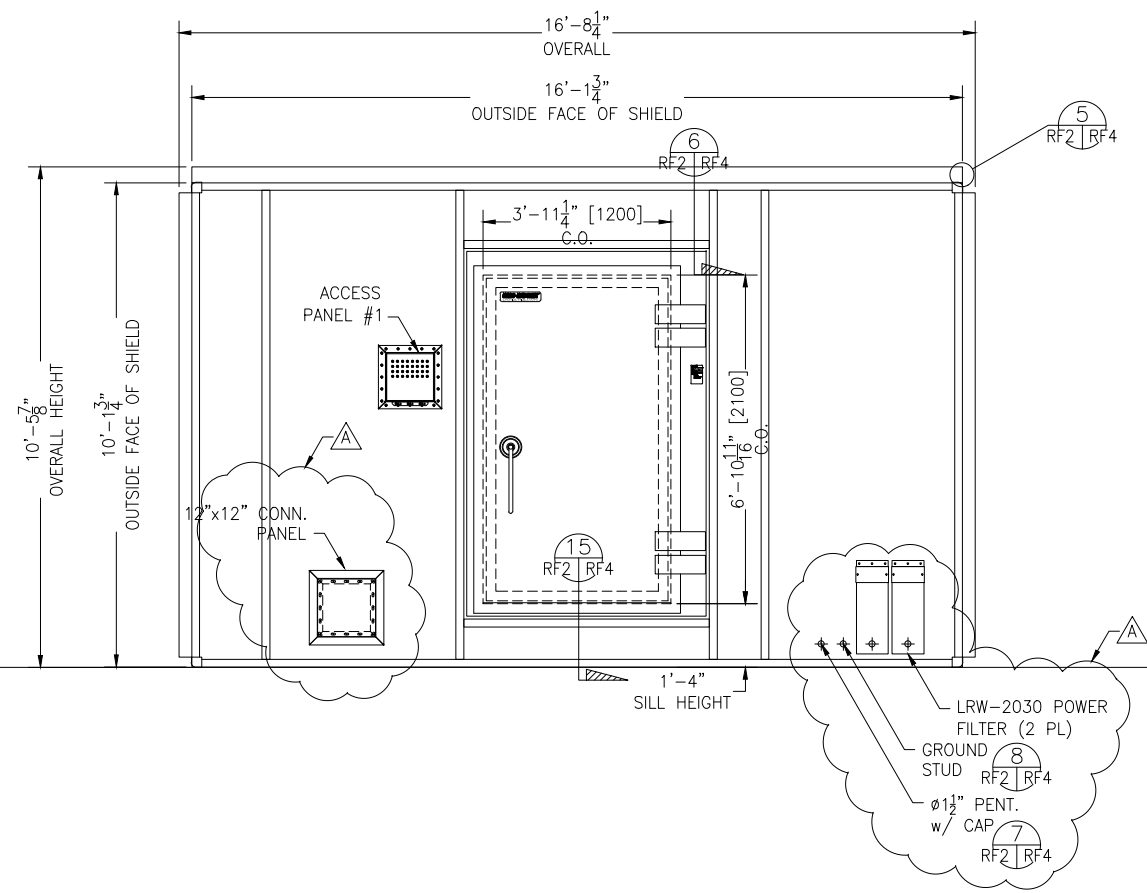
REV: **A**

DRAWING NO: **RF1**

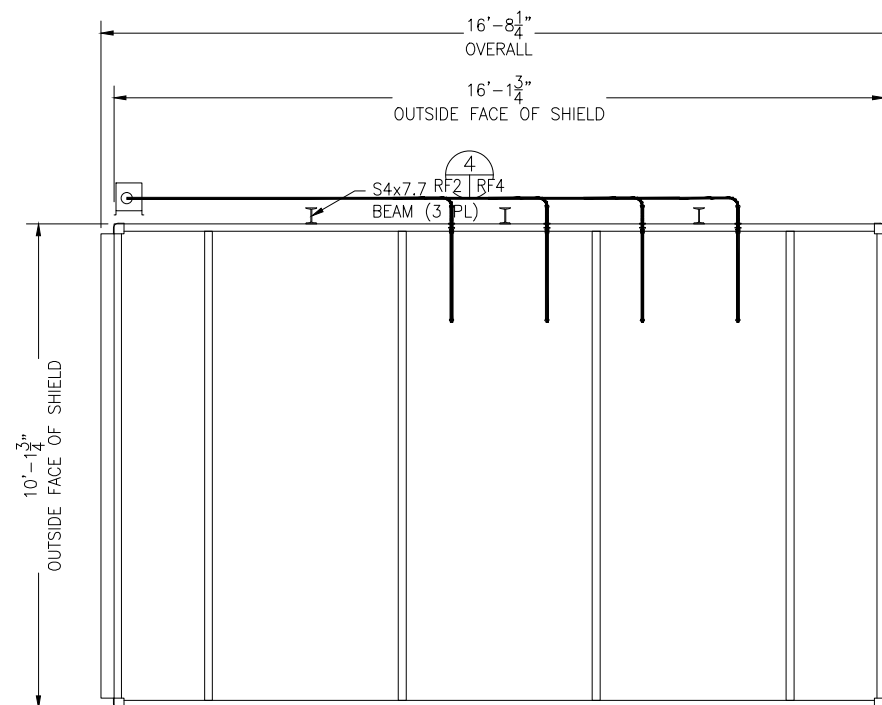


NOTE:

FIELD LOCATE ALL FILTERS, PENETRATIONS AND CONNECTOR PANELS.



SOUTH ELEVATION



EAST ELEVATION

ETS • LINDGREN
 An ESCO Technologies Company
 Austin Office : 1301 Arrow Point Drive • Cedar Park, TX 78613
 512.531-0100 # 512.531-6600 - Fax
 Chicago Office : 400 High Grove Boulevard • Glendale Heights, IL 60139
 630.377.2800 # 630.377.9711 - Fax

SHEET TITLE: **ELEVATIONS**

This document and the information contained herein are the property of LINDGREN RF ENCLOSURES, INC. Glendale Heights, Illinois. Recipient agrees NOT to: 1. Reproduce, copy, or disseminate this information without the express written permission of ETS • LINDGREN. 2. Furnish such information to any other person, in whole or in part, for any purpose whatsoever without the express written permission of ETS • LINDGREN. 3. In any way alter, modify, or in part without the express written permission of ETS • LINDGREN.

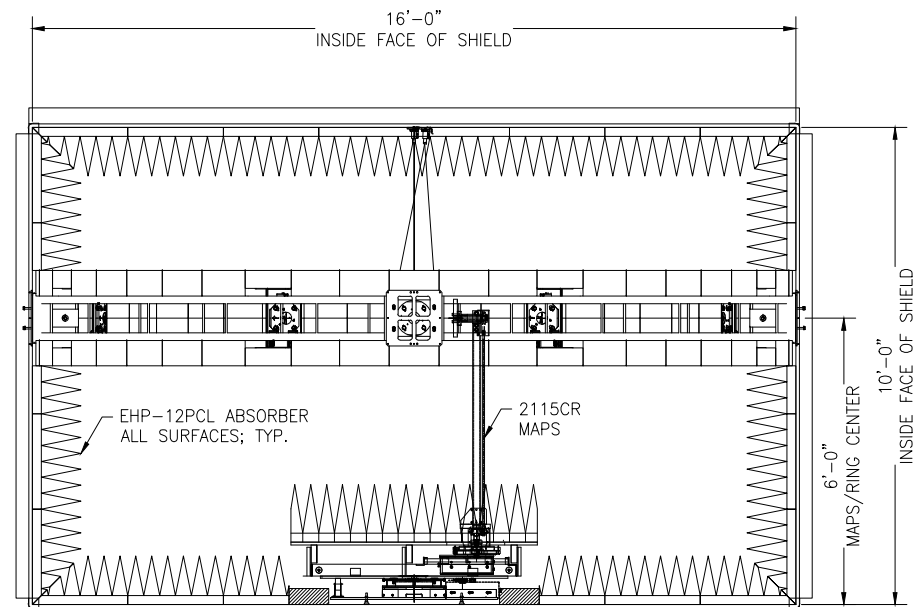
REVISIONS:	REV.	DATE	REV PER	CLIENT COMMENTS
	A	1/5/12		

PROJECT TITLE: **BROADCOM**
AMS-8700
 ADDRESS: **COLORADO SPRINGS, CO**

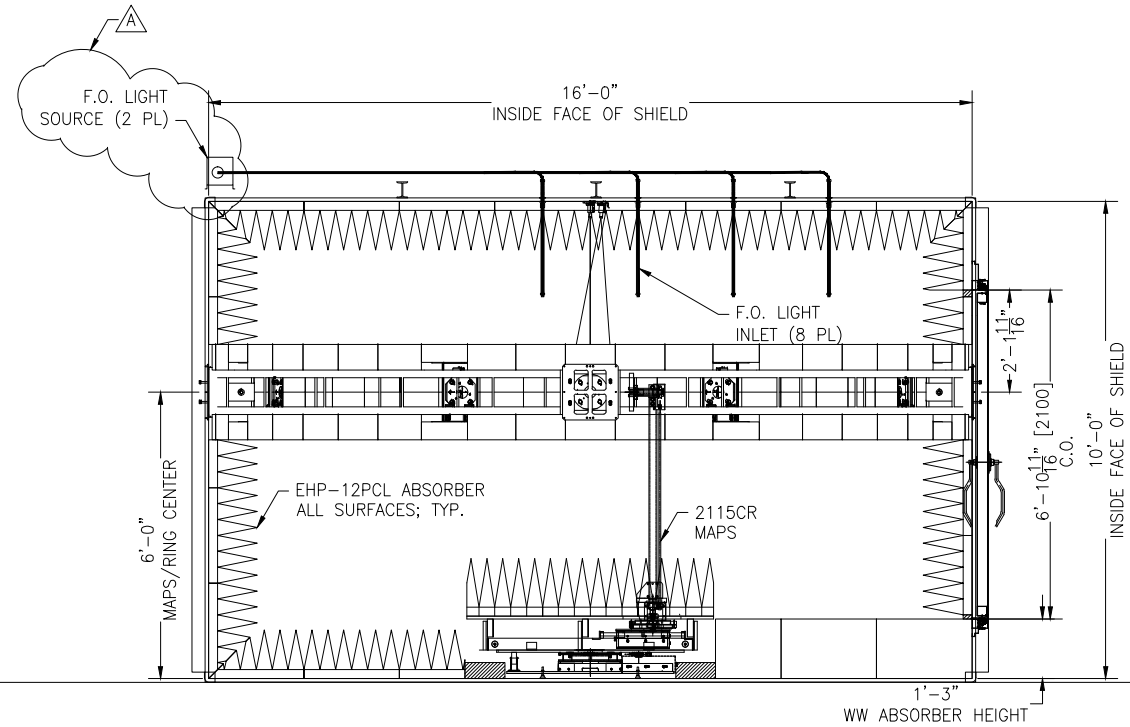
DRAWN BY: **CM**
 CHECKED BY:
 DATE: **12/2/11**
 SCALE: **1/2" = 1'-0"**

JOB NO: **PJ1553** REV: **A**

DRAWING NO: **RF2**



A SECTION ELEVATION
RF1 | RF3



B SECTION ELEVATION
RF1 | RF3

SHEET TITLE: SECTION ELEVATIONS
This document and the information contained herein are the property of LINDGREN RF ENCLOSURES, INC. Glendale Heights, Illinois. Recipient agrees NOT to: 1. Reproduce, copy, or disseminate this information without the express written permission of ETS-LINDGREN, (C) 2011. 2. Furnish such information to any other person, in whole or in part, for any purpose whatsoever, without the express written permission of ETS-LINDGREN, (C) 2011. 3. Use any part of this information in any way, in whole or in part, without the express written permission of ETS-LINDGREN, (C) 2011.

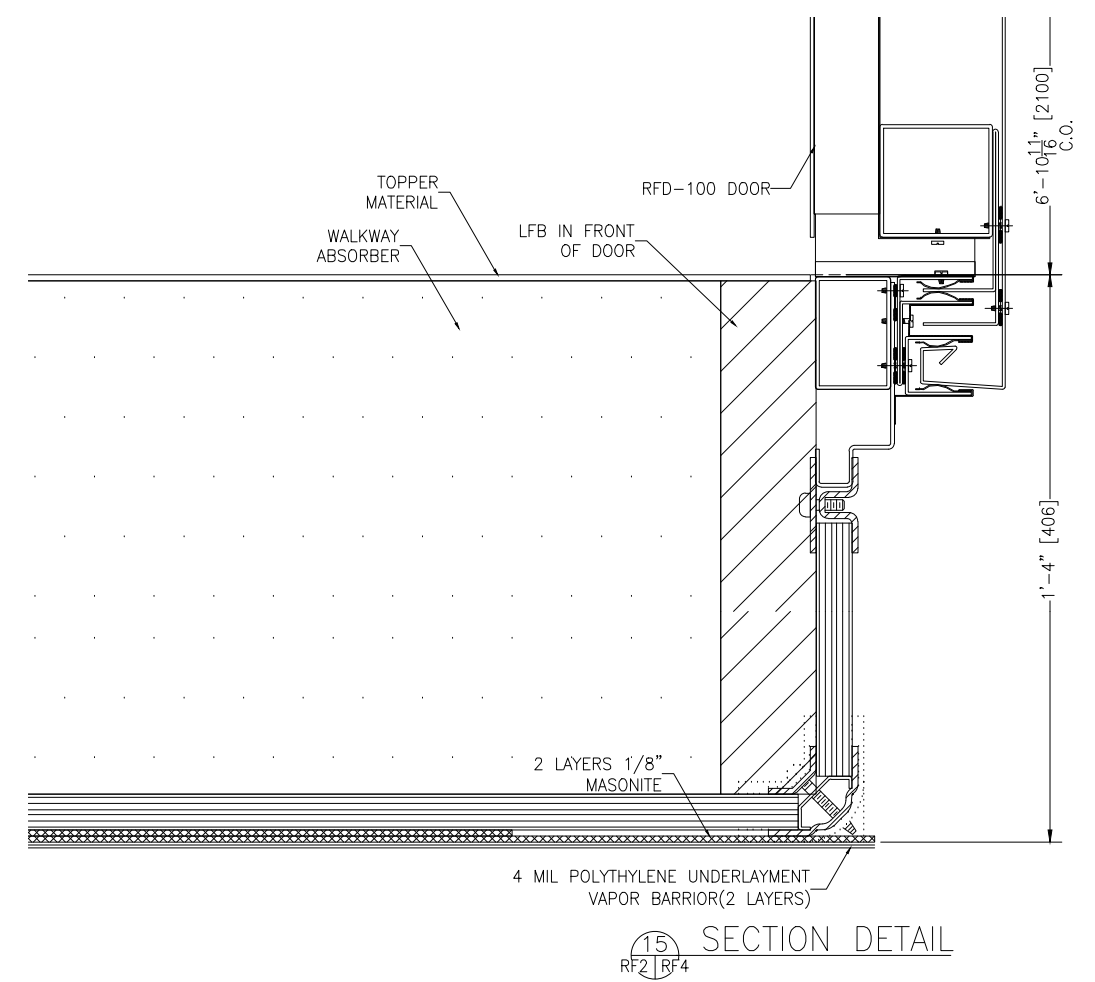
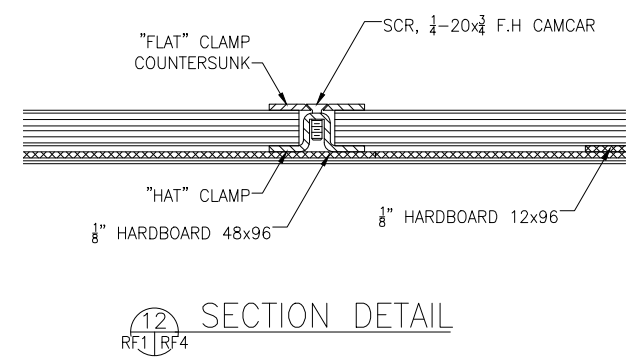
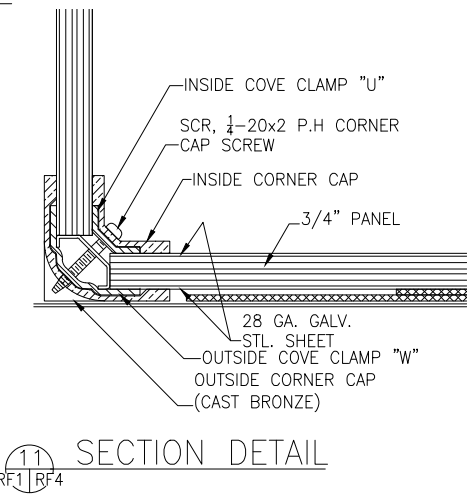
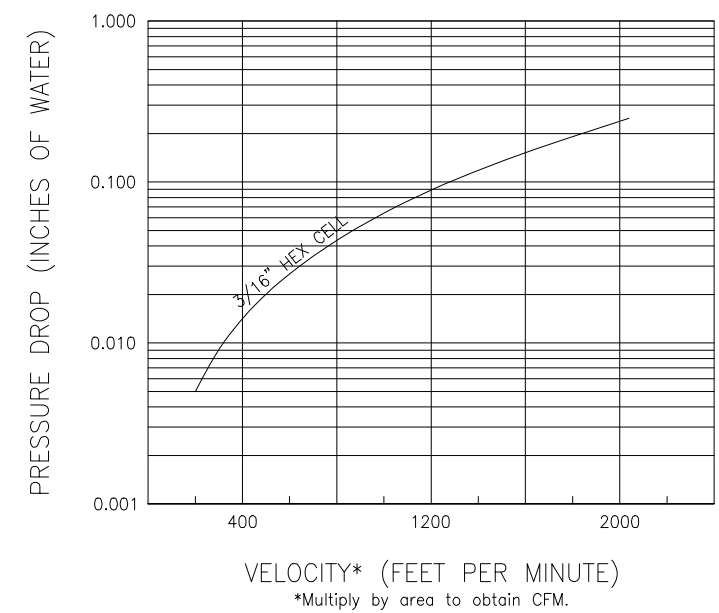
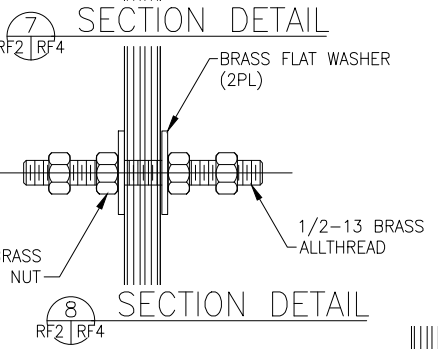
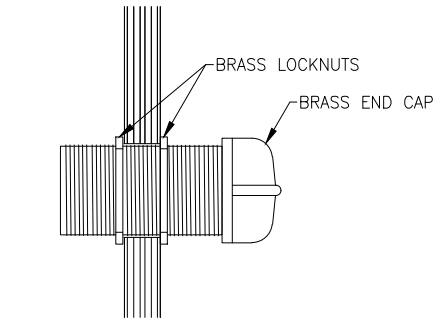
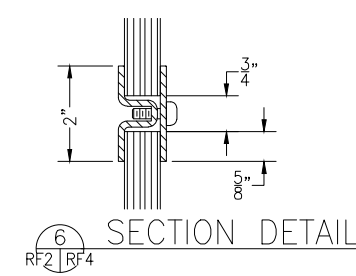
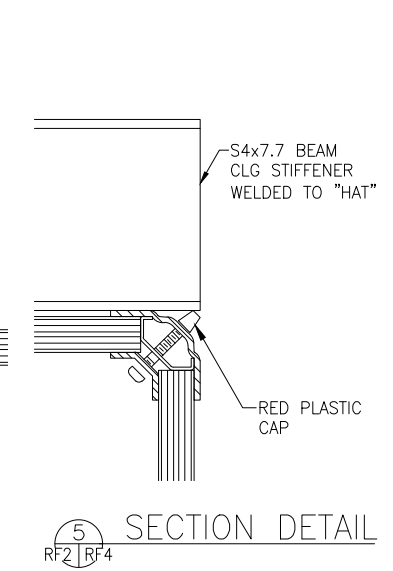
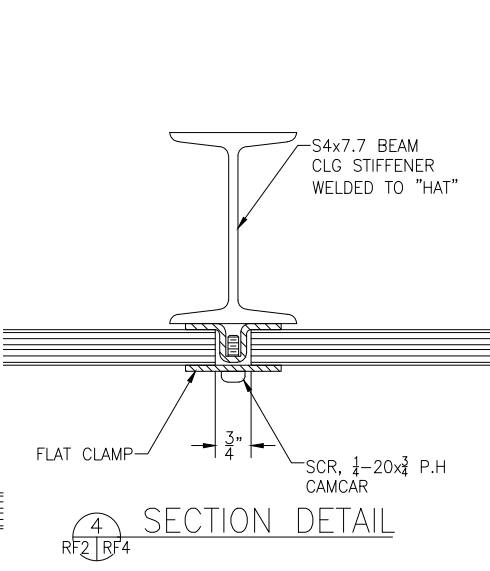
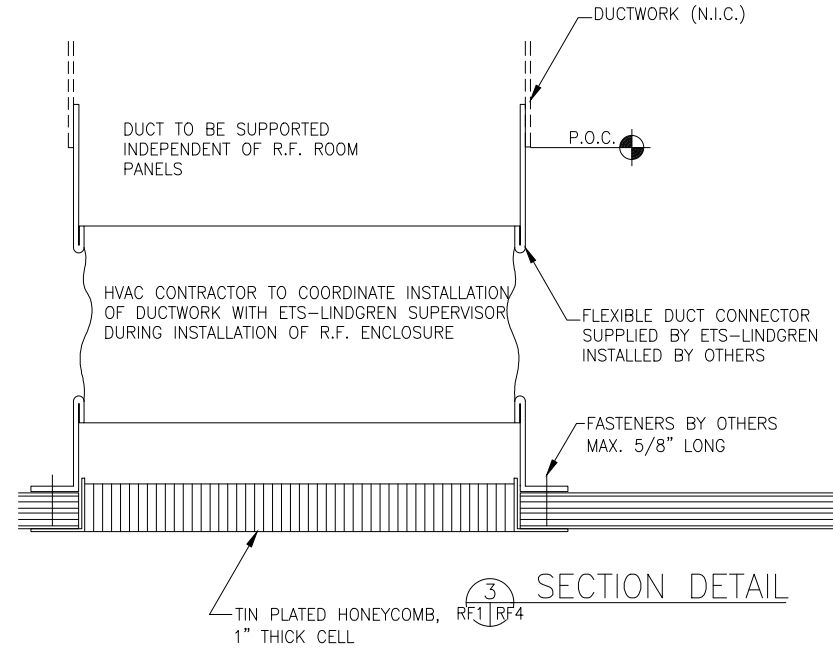
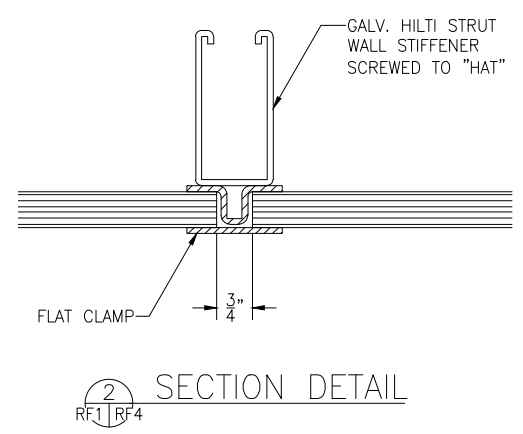
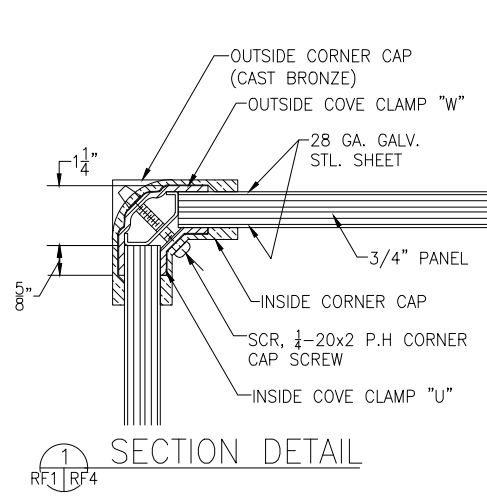
REV.	DATE	REV PER	CLIENT COMMENTS
A	1/5/12		

PROJECT TITLE: BROADCOM
AMS-8700
ADDRESS: COLORADO SPRINGS, CO

DRAWN BY: CM
CHECKED BY:
DATE: 12/2/11
SCALE: 1/2" = 1'-0"

JOB NO: PJ1553
REV: A

DRAWING NO: RF3



ETS-LINDGREN
An ESCO Company
Austin Office: 1301 Arrow Peak Drive Cedar Park, TX 78613
952.531-0000 # 952.531-6600 - Fax
Chicago Office: 400 High Grove Boulevard - Glendale Heights, IL 60139
630.307.1200 # 630.307.0701 - Fax

SHEET TITLE: SECTION DETAILS
This document and the information contained herein are the property of LINDGREN RF ENCLOSURES, INC. Glendale Heights, Illinois. Recipient agrees NOT to: (1) Reproduce, distribute, or disseminate this information to any other person in any form or by any means without the express written permission of LINDGREN RF ENCLOSURES, INC. (2) Use this information for any other project without the express written permission of LINDGREN RF ENCLOSURES, INC. or in part without the express written permission of LINDGREN RF ENCLOSURES, INC.

REV.	DATE	REV. PER. CLIENT COMMENTS	DESCRIPTION
A	1/5/12		

PROJECT TITLE: BROADCOM
AMS-8700
ADDRESS: COLORADO SPRINGS, CO

DRAWN BY: CM
CHECKED BY:
DATE: 12/2/11
SCALE: NONE
JOB NO: PJ1553
REV: A

DRAWING NO: RF4

SHEET TITLE: **ABSORBER LAYOUT**

This document and the information contained herein are the property of LINDGREN RF ENCLOSURES, INC. Glendale Heights, Illinois. Recipient agrees NOT to: (1) reproduce, copy, or disseminate this information to any other person, in whole or in part, without the express written permission of ETS LINDGREN; (2) furnish such information to any other person, in whole or in part, without the express written permission of ETS LINDGREN; or (3) use this information for any purpose whatsoever without the express written permission of ETS LINDGREN.

REVISIONS:

REV.	DATE	REV. PER.	CLIENT COMMENTS	DESCRIPTION
A	1/5/12			

PROJECT TITLE: **BROADCOM**
AMS-8700

ADDRESS: **COLORADO SPRINGS, CO**

DRAWN BY: **CM**

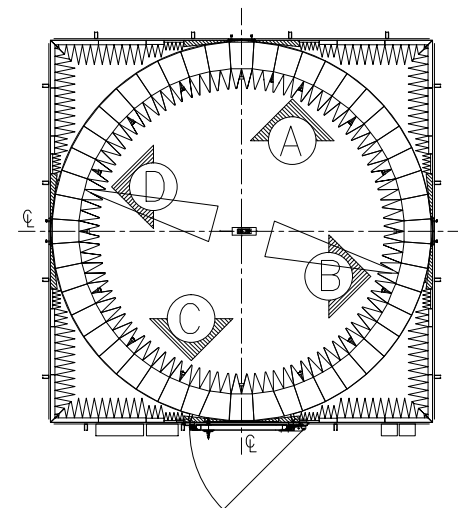
CHECKED BY:

DATE: **12/2/11**

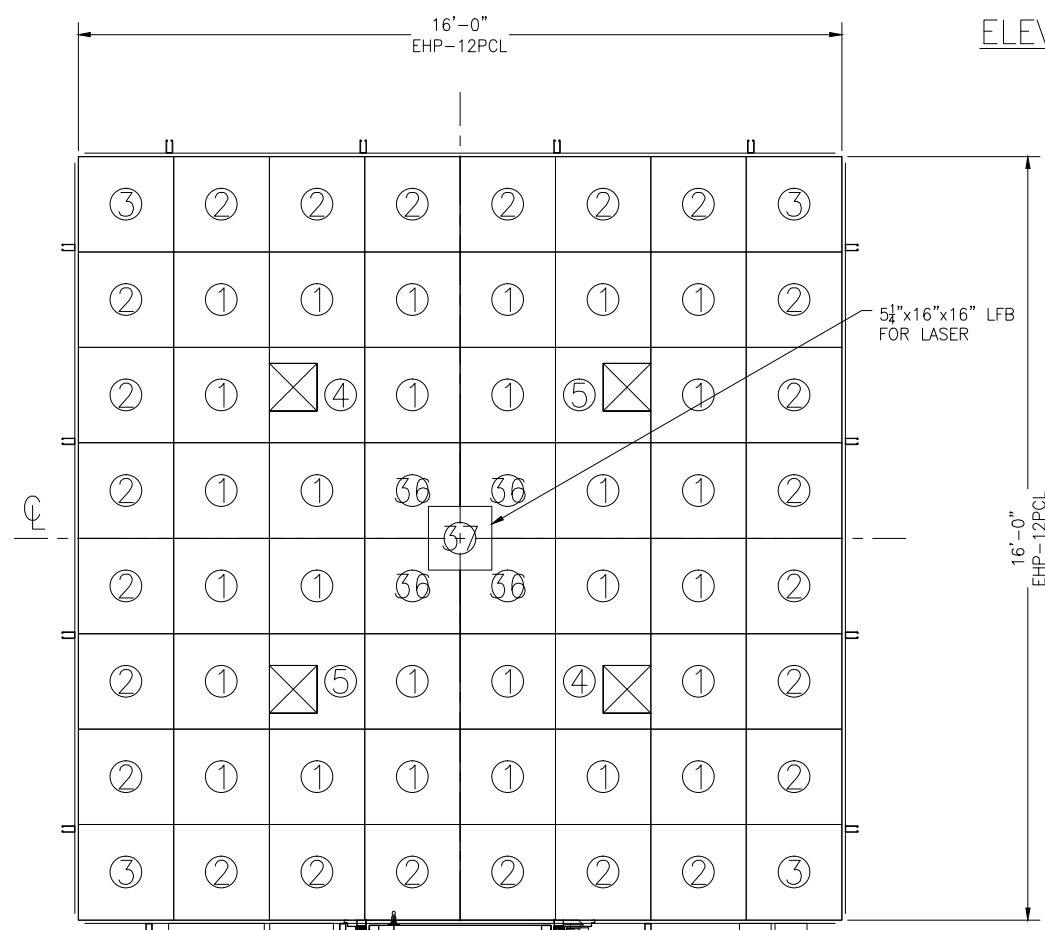
SCALE: **1/2" = 1'-0"**

JOB NO: **PJ1553** REV: **A**

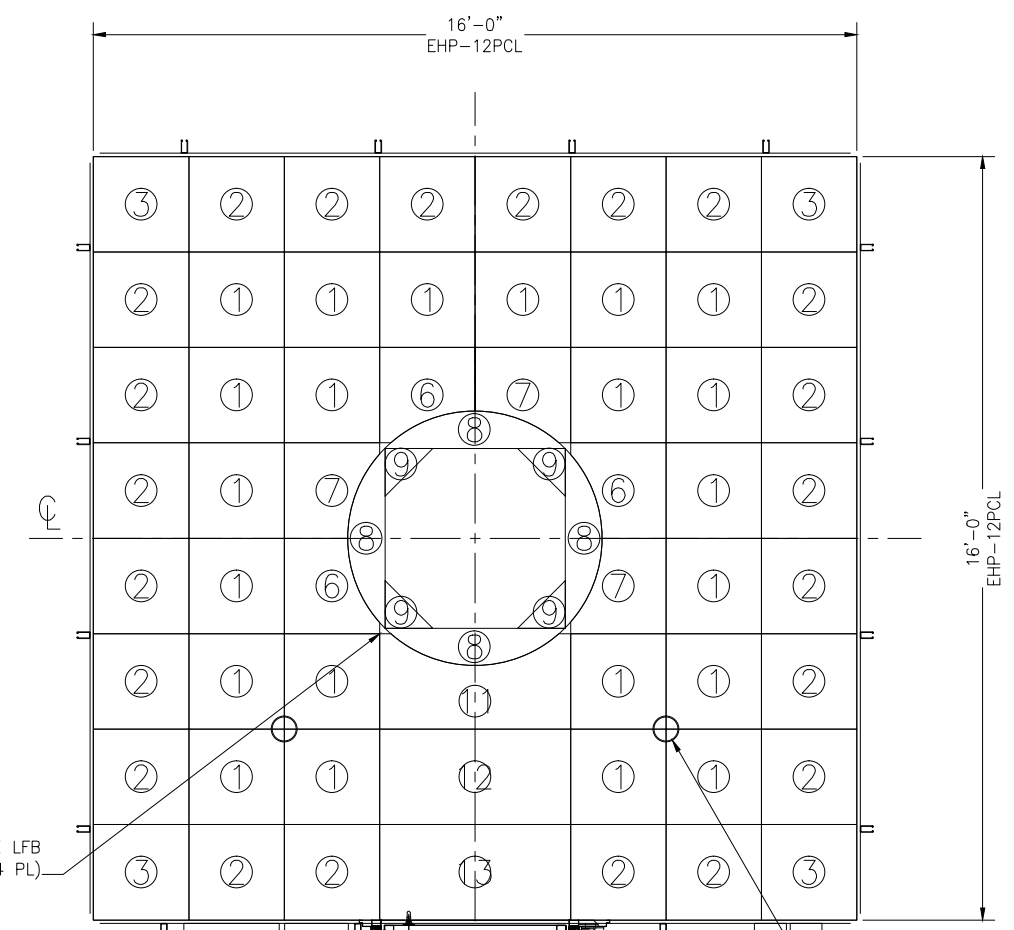
DRAWING NO: **RF5**



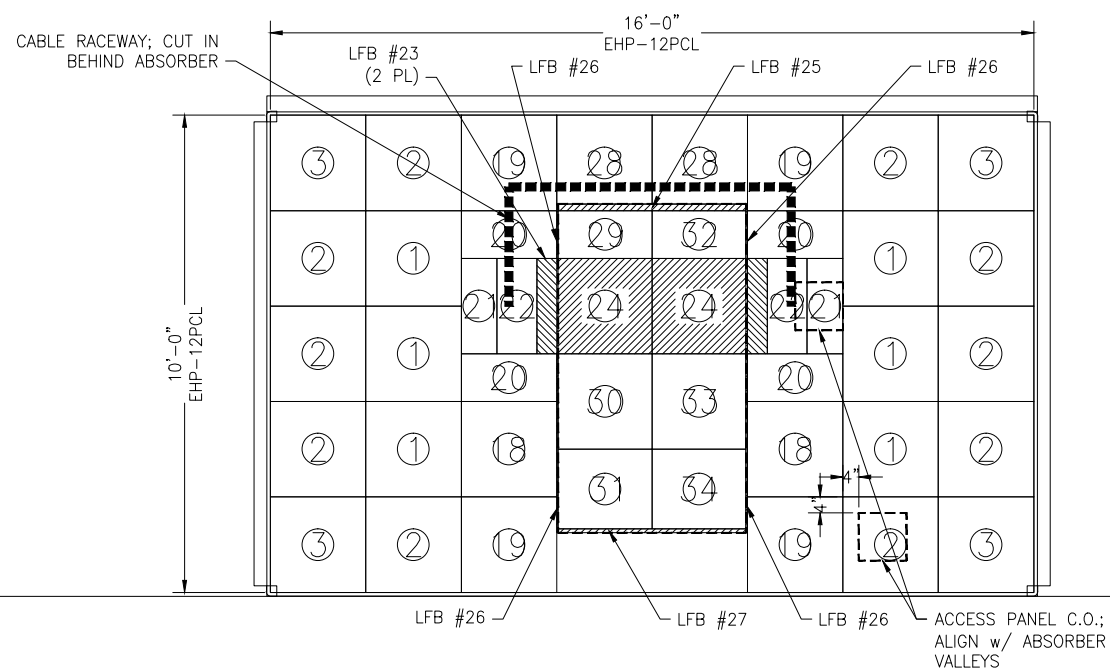
ELEVATION DEFINITION



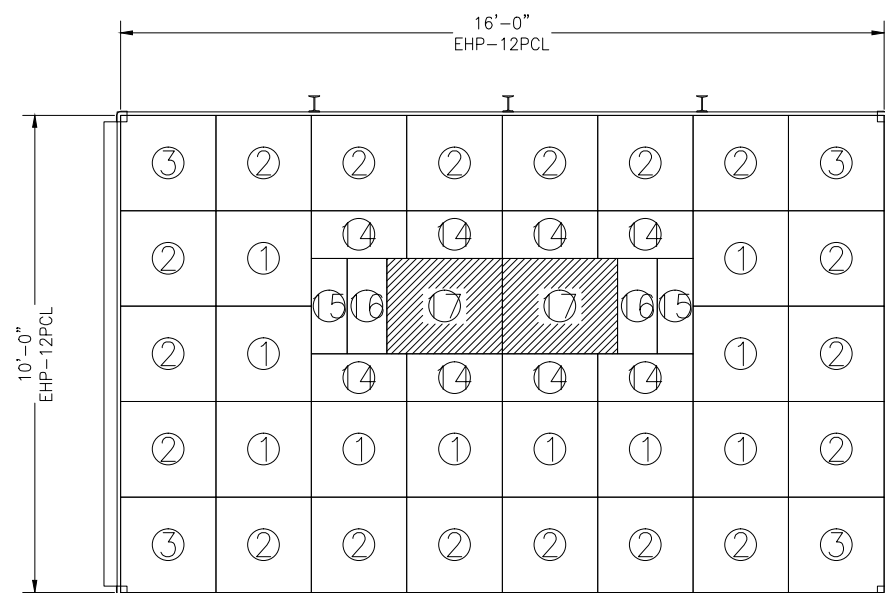
CEILING PLAN



FLOOR PLAN



ELEVATION 'C'



ELEVATION 'A'/'B'/'D'

SHEET TITLE: ABSORBER LAYOUT

This document and the information contained herein are the property of LINDGREN RF ENCLOSED, INC. Glendale Heights, Illinois. Recipient agrees NOT to: 1. Reproduce, copy, or disseminate this information without the express written permission of ETS • LINDGREN. 2. Furnish such information to any other person, in whole or in part, for any purpose whatsoever without the express written permission of ETS • LINDGREN. 3. Use the information contained herein for any other purpose without the express written permission of ETS • LINDGREN.

REVISIONS:

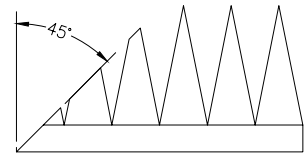
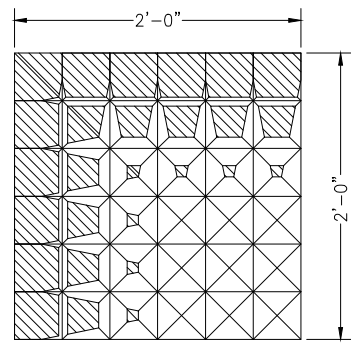
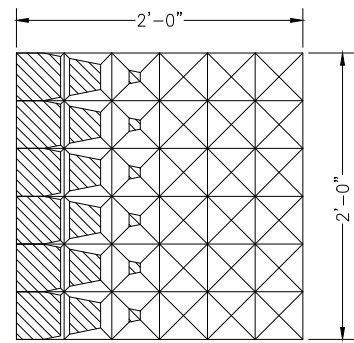
REV.	DATE	REV PER	CLIENT COMMENTS	DESCRIPTION
A	1/5/12			

PROJECT TITLE: BROADCOM
 AMS-8700
 ADDRESS: COLORADO SPRINGS, CO

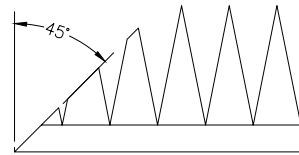
DRAWN BY: CM
 CHECKED BY:
 DATE: 12/2/11
 SCALE: 1/2" = 1'-0"

JOB NO: PJ1553
 REV: A

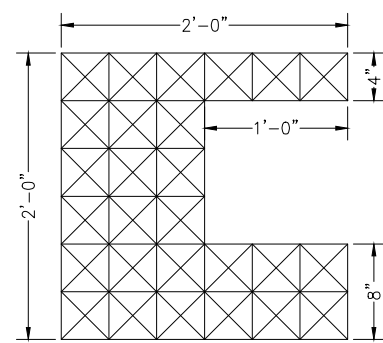
DRAWING NO: RF6



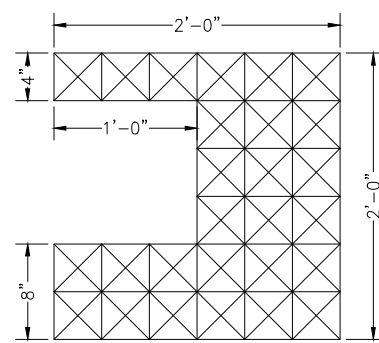
DETAILS #2 & #19



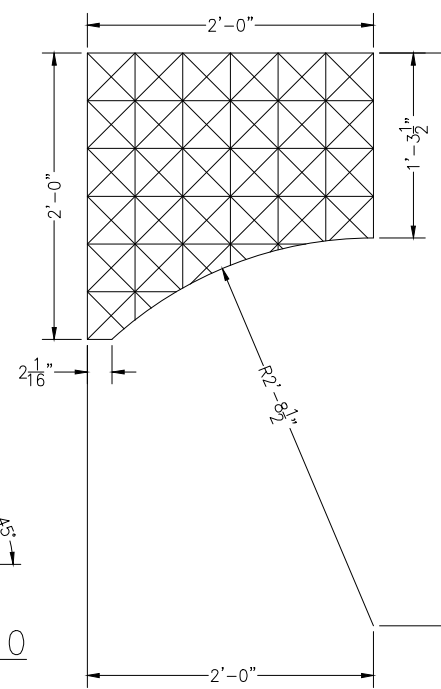
DETAIL #3



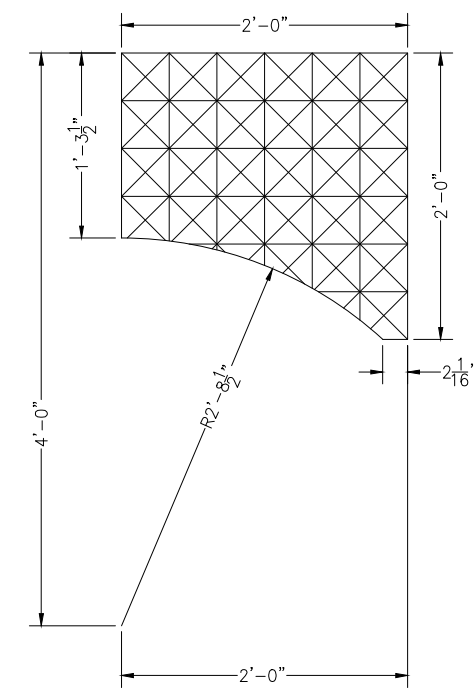
DETAIL #4



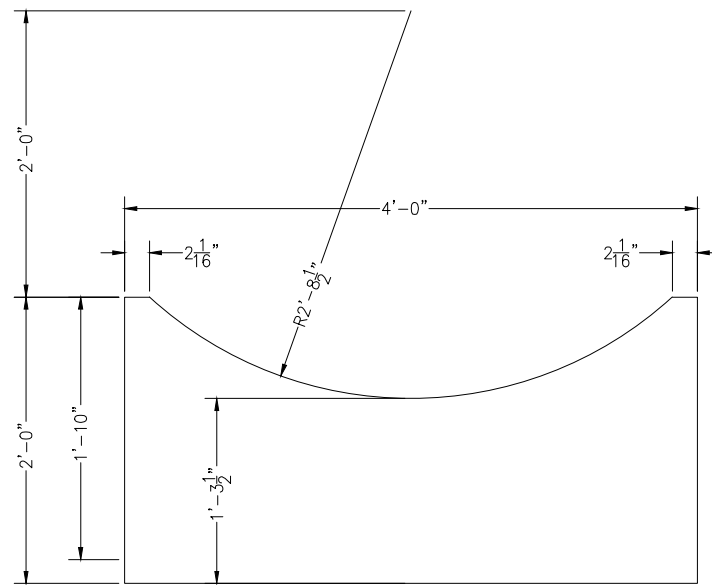
DETAIL #5



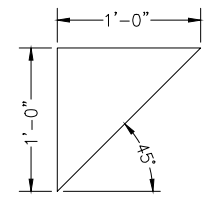
DETAIL #6



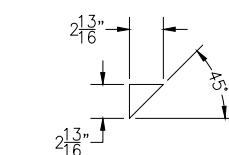
DETAIL #7



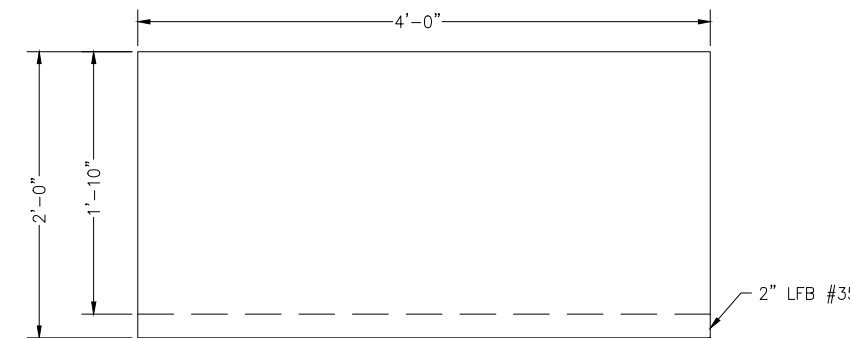
DETAIL #8



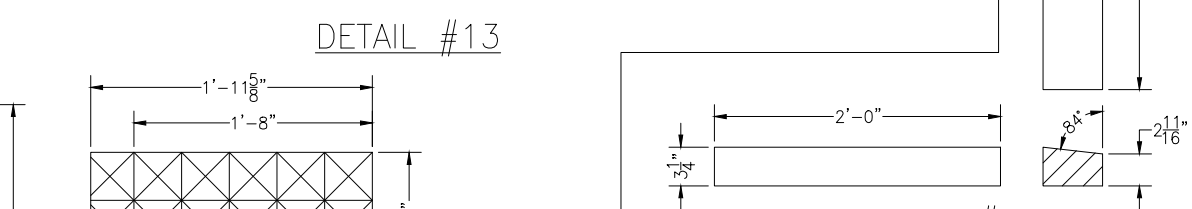
DETAIL #9



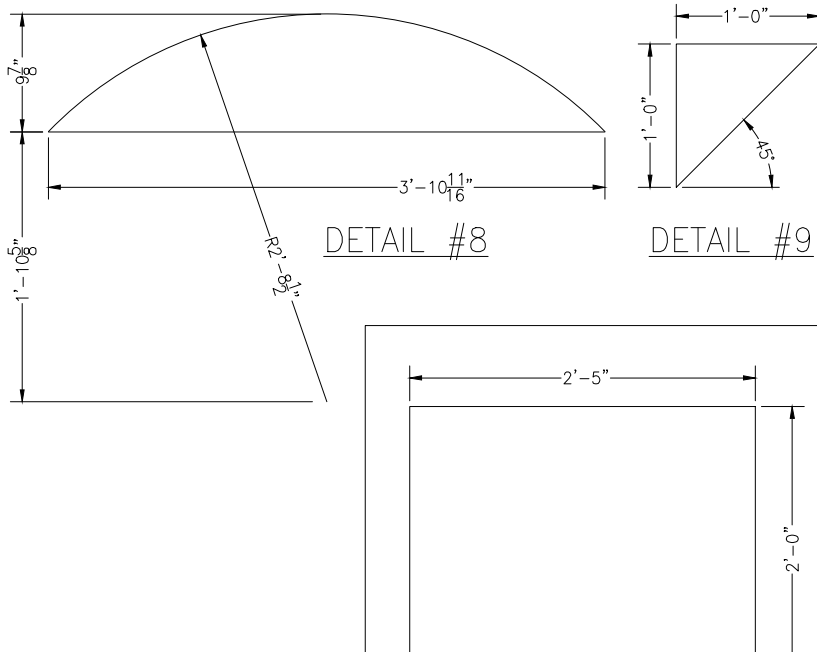
DETAIL #10



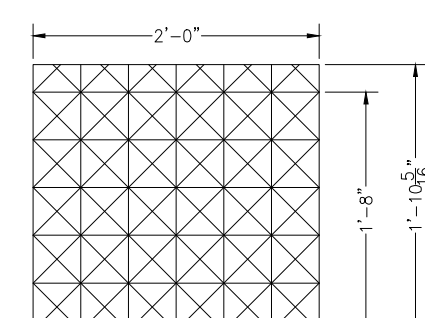
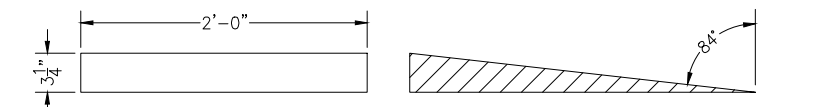
DETAIL #11



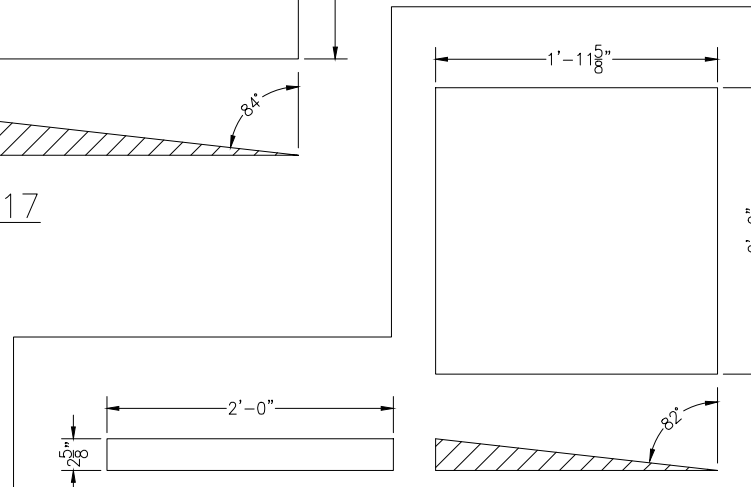
DETAIL #13



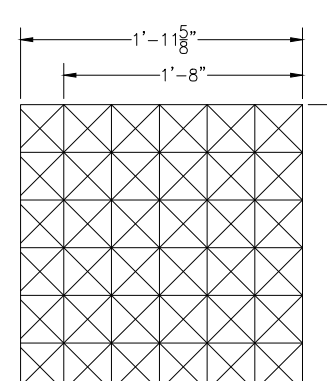
DETAIL #17



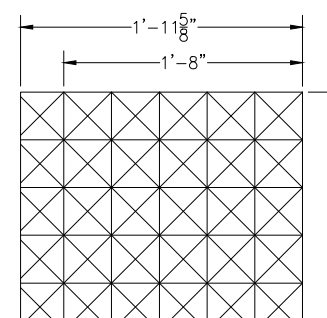
DETAIL #28



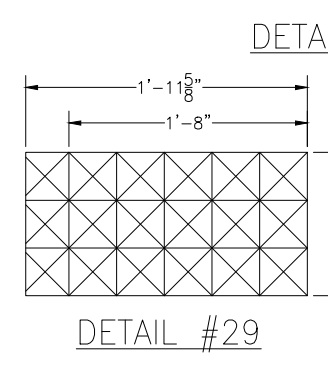
DETAIL #24



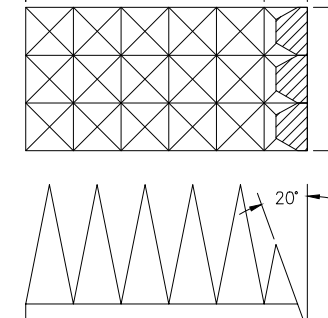
DETAIL #30



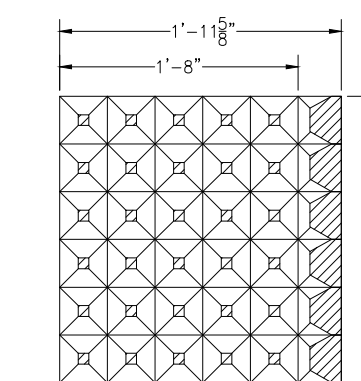
DETAIL #31



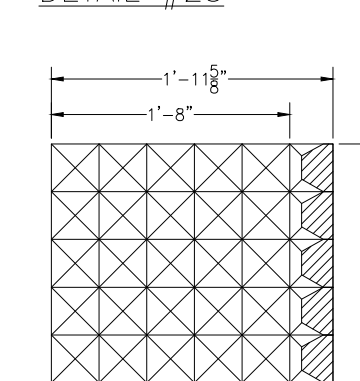
DETAIL #29



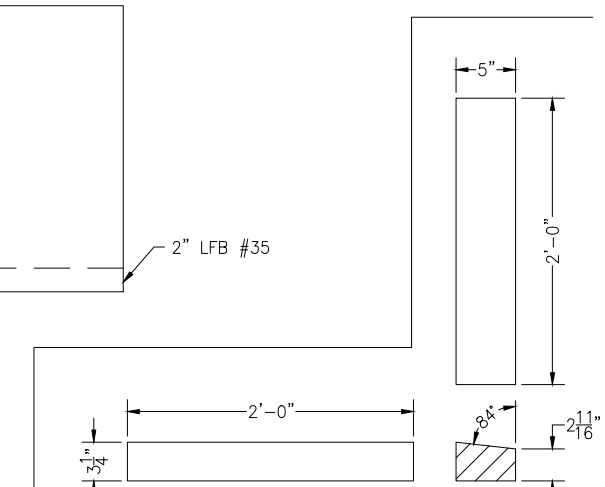
DETAIL #32



DETAIL #33



DETAIL #34

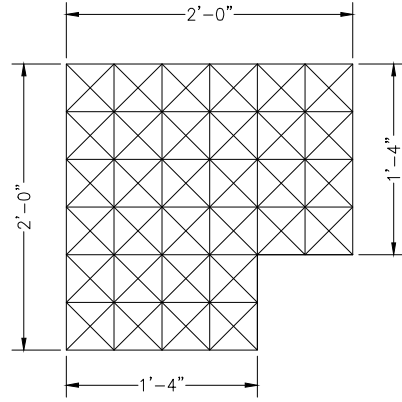


DETAIL #23

REV.	DATE	REV PER	CLIENT COMMENTS
A	1/5/12		

PROJECT TITLE:	BROADCOM
ADDRESS:	AMS-8700
	COLORADO SPRINGS, CO

DRAWN BY:	KAL
CHECKED BY:	
DATE:	1/17/12
SCALE:	1/2" = 1'-0"
JOB NO:	PJ1553
REV:	A
DRAWING NO:	RF7.0



DETAIL #36

ANECHOIC BILL OF MATERIAL

Coating: P=Paint; R=Rugged; F=Flex; Absorber Color: Bl=Blue; B=Black; W=White

Coat./Color	Item #	Total	Floor	Ceiling	Elev. A	Elev. B	Elev. C	Elev. D	Description	Part #
P/Bl	1	90	22	28	10	10	6	10	EHP-12PCL (24"x24") +4	A5121
P/Bl	2	110	22	24	18	18	10	18	EHP-12PCL (24"x24") SEE DETAIL	A5121 SEE DETAIL
P/Bl	3	24	4	4	4	4	4	4	EHP-12PCL (24"x24") SEE DETAIL	A5121 SEE DETAIL
P/Bl	4	2		2					EHP-12PCL (24"x24") SEE DETAIL	A5121 SEE DETAIL
P/Bl	5	2		2					EHP-12PCL (24"x24") SEE DETAIL	A5121 SEE DETAIL
P/Bl	6	3	3						EHP-12PCL (24"x24") SEE DETAIL	A5121 SEE DETAIL
P/Bl	7	3	3						EHP-12PCL (24"x24") SEE DETAIL	A5121 SEE DETAIL
P/Bl	8	4	4						LFB (9-7/8"x46-11/16"x4" THICK) SEE DETAIL	ALFBCL CUFT
P/Bl	9	4	4						LFB (12"x12"x4" THICK) SEE DETAIL	ALFBCL CUFT
P/Bl	10	4	4						LFB (2-13/16"x2-13/16"x2-1/4" THICK) SEE DETAIL	ALFBCL CUFT
P/Bl	11	1	1						EHP-12WW (24"x48"x15" TALL) SEE DETAIL	A7124 SEE DETAIL
P/Bl	12	1	1						EHP-12WW (24"x48"x15" TALL)	A7124
P/Bl	13	1	1						EHP-12WW (24"x48"x15" TALL) SEE DETAIL	A7124 SEE DETAIL
P/Bl	14	24			8	8		8	EHP-12PCL (12"x24")	A5121 SEE DETAIL
P/Bl	15	6			2	2		2	EHP-8PCL (9"x24")	A5081
P/Bl	16	6			2	2		2	EHP-5PCL (10"x24")	A5051
P/Bl	17	6			2	2		2	LFB (29"x24"x3-1/4") SEE DETAIL	ALFBCL CUFT
F/Bl	18	2					2		EHP-12PCL (24"x24") w/ FLEXSORB	A5121-FX
F/Bl	19	4					4		EHP-12PCL (24"x24") w/ FLEXSORB, SEE DETAIL	A5121 SEE DETAIL-FX
F/Bl	20	4					4		EHP-12PCL (12"x24") w/ FLEXSORB	A5121 SEE DETAIL-FX
F/Bl	21	2					2		EHP-8PCL (9"x24") w/ FLEXSORB	A5081-FX
F/Bl	22	2					2		EHP-5PCL (10"x24") w/ FLEXSORB	A5051-FX
F/Bl	23	2					2		LFB w/ FLEXSORB, SEE DETAIL	ALFBCL CUFT-FX
F/Bl	24	2					2		LFB (23-5/8"x24"x2-5/8") w/ FLEXSORB, SEE DETAIL	ALFBCL CUFT-FX
F/Bl	25	1					1		LFB (47-1/4"x1-11/16"x2-1/4" THICK) w/ FLEXSORB	ALFBCL CUFT-FX
F/Bl	26	4					4		LFB (3/8"x41-3/8"x2-1/4" THICK) w/ FLEXSORB	ALFBCL CUFT-FX
F/Bl	27	1					1		LFB (47-1/4"x1"x2-1/4" THICK) w/ FLEXSORB	ALFBCL CUFT-FX
F/Bl	28	2					2		EHP-12PCL (22-5/16"x24") SEE DETAIL	A5121 SEE DETAIL-FX
F/Bl	29	1					1		EHP-12PCL (12"x23-5/8") SEE DETAIL	A5121 SEE DETAIL-FX
F/Bl	30	1					1		EHP-12PCL (20"x23-5/8") SEE DETAIL	A5121 SEE DETAIL-FX
F/Bl	31	1					1		EHP-12PCL (20"x23-5/8") SEE DETAIL	A5121 SEE DETAIL-FX
F/Bl	32	1					1		EHP-12PCL (12"x23-5/8") SEE DETAIL	A5121 SEE DETAIL-FX
F/Bl	33	1					1		EHP-12PCL (24"x23-5/8") SEE DETAIL	A5121 SEE DETAIL-FX
F/Bl	34	1					1		EHP-12PCL (20"x23-5/8") SEE DETAIL	A5121 SEE DETAIL-FX
P/Bl	35	1	1						LFB (2"x48"x15") SEE DETAIL #13	ALFBCL CUFT
P/Bl	36	4		4					EHP-12PCL SEE DETAIL	A5121 SEE DETAIL
P/Bl	37	1		1					LFB (5 1/4"x16"x16")	ALFBCL CUFT
P/Bl	38	150							LFB Shims (1/4"x2 1/4"x24")	ALFBCL CUFT
-	39	1							Blue Paint (1 gal.)	A1811
-	40	5							Paint Handles	A2440
-	41	5							Paint Rollers	A2430
-	42	5							Paint Pans	A2450
-	43	2							SPRAY 94 ADHESIVE (28.8lb CAN)	A1694

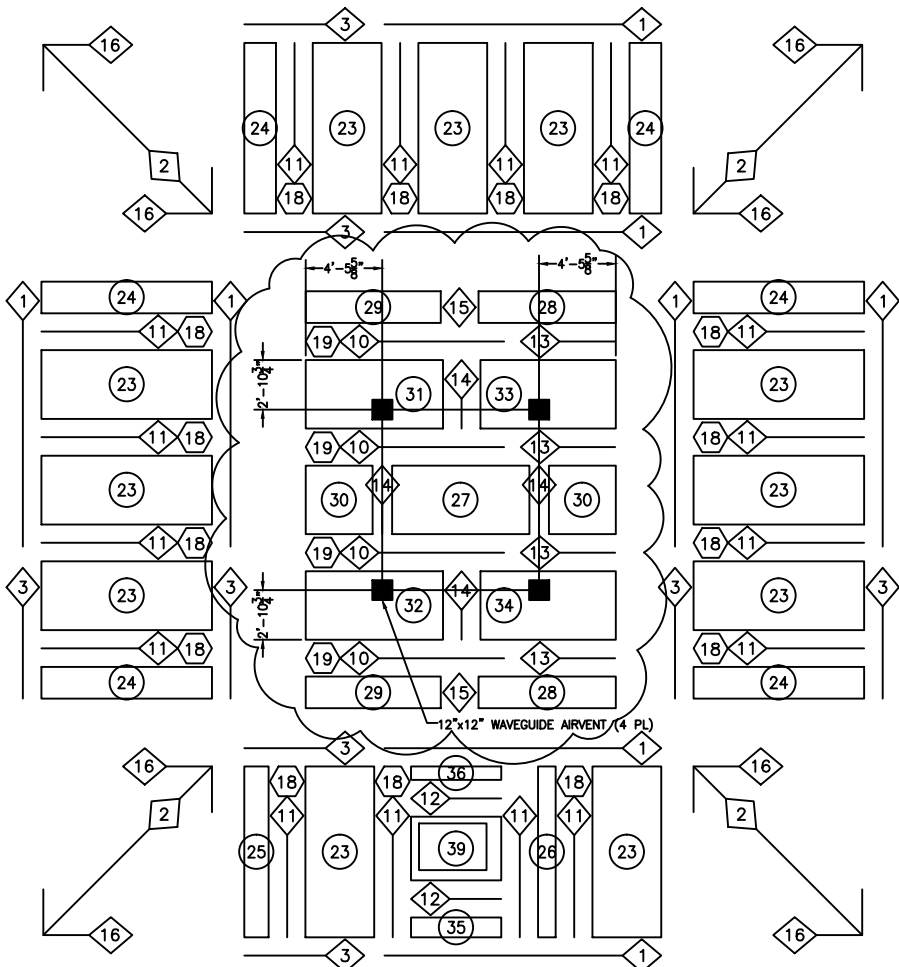
ETS LINDGREN
An ESCO Technologies Company
Austin Office: 1301 Arrow Point Drive # Cedar Park, TX 78613
302.531-0000 # 302.531-6000 - Fax
Chicago Office: 400 High Grove Boulevard # Glendale Heights, IL 60139
630.307.1800 # 630.307.9791 - Fax

SHEET TITLE: ABSORBER BOM
This document and the information contained herein are the property of LINDGREN RF ENCLOSURES, INC. Glendale Heights, Illinois. Recipient agrees NOT to: LINDGREN RF ENCLOSURES, INC. or its agents, without the prior written permission of ETS LINDGREN. (2) Furnish such information to any other person, in whole or in part, for any purpose whatsoever, without the express written permission of ETS LINDGREN. (3) Reproduce, in any form, or in part, without the express written permission of ETS LINDGREN.

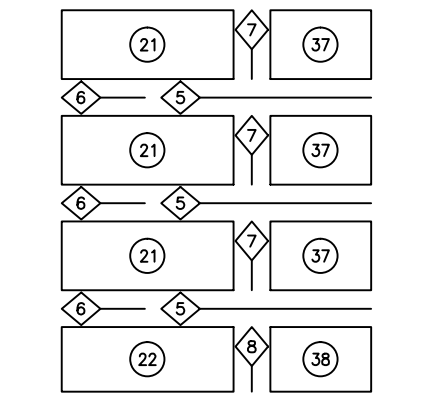
REV.	DATE	REV PER	CLIENT COMMENTS	DESCRIPTION
A	1/5/12			

PROJECT TITLE: BROADCOM
AMS-8700
ADDRESS: COLORADO SPRINGS, CO

DRAWN BY: KAL
CHECKED BY:
DATE: 1/17/12
SCALE: 1/2" = 1'-0"
JOB NO: PJ1553
REV: A
DRAWING NO: RF7.1



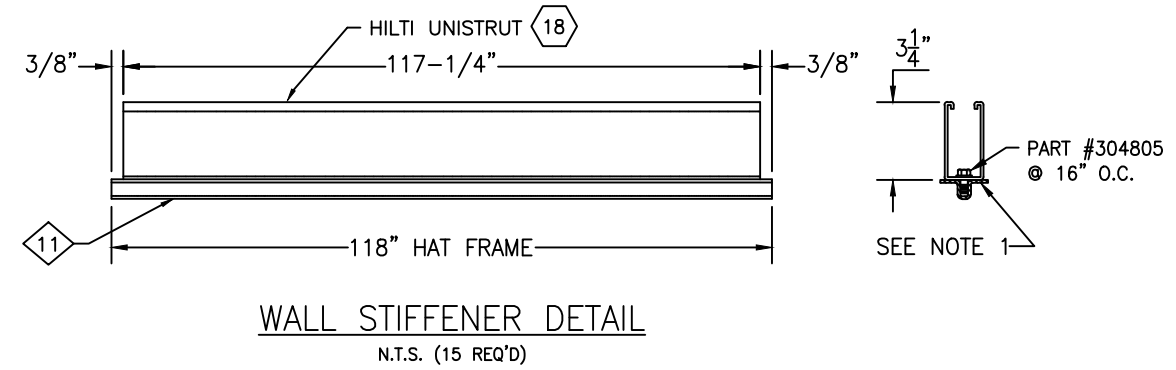
CLAMP & PANEL LAYOUT
CEILING & WALLS



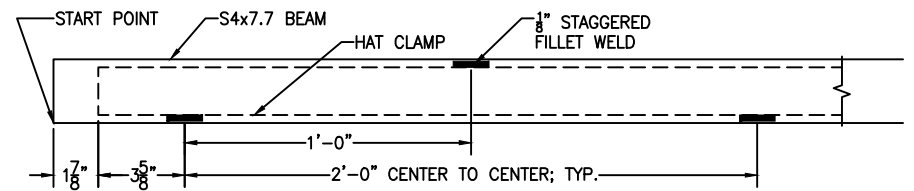
CLAMP & PANEL LAYOUT
FLOOR

- LEGEND**
- PANEL REF. NUMBER
 - ◇ CLAMP REF. NUMBER
 - FASTENER REF. NUMBER
 - ⬡ STRUCTURAL STEEL REF. NUMBER

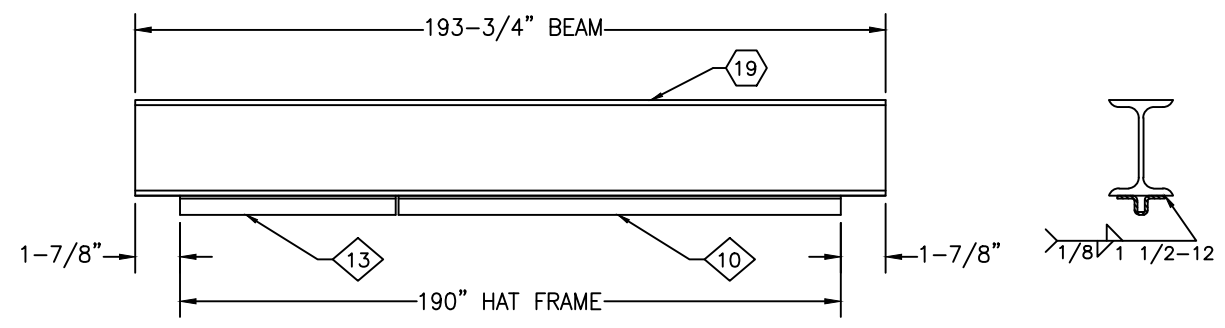
- NOTES**
1. REMOVE ALL BURRS AND BREAK SHARP EDGES. CLEAN ALL CONTACT SURFACES AFTER WELDING.
 2. PAINT STEEL TUBE OR BEAM, AFTER WELDING TO CLAMP WITH ONE COAT GREY METAL PRIMER & ONE COAT RED.
 3. ALL PANELS MUST BE SQUARED AND RE-SQUARED TO ±1/16".
 4. ALL PANELS MUST BE CLEAN AND FREE OF ANY ADHESIVE ON THE CONTACT SURFACES.



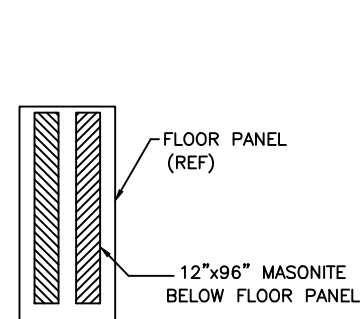
WALL STIFFENER DETAIL
N.T.S. (15 REQ'D)



BEAM WELD DETAIL
N.T.S. (3 REQ'D)



BEAM ASS'Y DETAIL
N.T.S. (4 REQ'D)



REF	QTY	PART NO	DESCRIPTION/PARENT MATERIAL USED	SPECIFICATION/VENDOR NOTES
45	250	300465	SCR, 1/4-20 TYPE 'F'x3/4" FLAT HD	(FOR ALL FLOOR CLAMPS)@4" O.C.
44	800	300460	SCR, 1/4-20NC TYPE 'F'x3/4" P.H.	(FOR CLG. & WALL CLAMPS)@4" O.C.
43	600	300456	SCR, 1/4-20NC TYPE 'F'x1-1/2 P.H.	(FOR ALL CORNER CLAMPS)@4" O.C.
42	16	600702	MASONITE 12"x96"	
41	8	600701	MASONITE 48"x96"	
40				
39	1	-	RFD-F/A-100 DOOR 4'x7' LH SWING	MOUNTED ON 63"x94-1/2" PANEL
38	1	880128	BLANK PANEL 45"x70-1/2"	
37	3	880128	BLANK PANEL 48"x70-1/2"	
36	1	880128	BLANK PANEL 9-3/8"x63"	
35	1	880128	BLANK PANEL 13-7/8"x63"	
34	1	880128	VENT PANEL 48"x94-1/2"	w/12"x12" WAVEGUIDE AIRVENT
33	1	880128	VENT PANEL 48"x94-1/2"	w/12"x12" WAVEGUIDE AIRVENT
32	1	880128	VENT PANEL 48"x96"	w/12"x12" WAVEGUIDE AIRVENT
31	1	880128	VENT PANEL 48"x96"	w/12"x12" WAVEGUIDE AIRVENT
30	2	880128	BLANK PANEL 48"x46-7/8"	
29	2	880128	BLANK PANEL 21-1/8"x94-1/2"	
28	2	880128	BLANK PANEL 21-1/8"x96"	
27	1	880128	BLANK PANEL 48"x96"	
26	1	880127	BLANK PANEL 12-1/4"x119-1/4"	
25	1	880127	BLANK PANEL 17"x119-1/4"	
24	6	880127	BLANK PANEL 22-1/8"x119-1/4"	
23	11	880127	BLANK PANEL 48"x119-1/4"	
22	1	880127	BLANK PANEL 45"x120"	
21	4	880127	BLANK PANEL 48"x120"	ONE EXTRA
20				
19	4	404507	S4x7.7 BEAM 193-3/4"	WELD TO #10 & #13
18	15	155933	3-1/4" HILTI UNISTRUT 117-1/4"	ATTACH TO #11
17				
16	8	151035	ASS'Y, CORNER CAPS	
15	2	151004	ASS'Y, HAT & FLAT STD 20-7/8"	
14	4	151004	ASS'Y, HAT & FLAT STD 46-3/4"	
13	4	151005	ASS'Y, HAT & FLAT STD 47-1/4"	WELD TO #19
12	2	151005	ASS'Y, HAT & FLAT STD 61-3/4"	
11	16	151006	ASS'Y, HAT & FLAT STD 118"	ATTACH 16 EA. TO #11
10	5	151007	ASS'Y, HAT & FLAT STD 142-3/4"	WELD 3 EA. TO #19, ONE EXTRA
9				
8	1	151014	ASS'Y, HAT & FLAT CNSK 43-3/4"	
7	3	151014	ASS'Y, HAT & FLAT CNSK 46-3/4"	
6	3	151015	ASS'Y, HAT & FLAT CNSK 47-1/4"	
5	4	151017	ASS'Y, HAT & FLAT CNSK 142-3/4"	ONE EXTRA
4				
3	8	151025	ASSY, 'U' & 'W' 47-1/4"	
2	4	151026	ASSY, 'U' & 'W' 118"	
1	9	151027	ASSY, 'U' & 'W' 142-3/4"	ONE EXTRA
REF	QTY	PART NO	DESCRIPTION/PARENT MATERIAL USED	SPECIFICATION/VENDOR NOTES

ETS-LINDGREN
An ESCO Technologies Company
1501 Arroyo Pkwy Drive • Cedar Park, TX 78613
682.521-4900 • 682.521-6800 - Fax
Chicago Office: 400 High Grove Boulevard • Glenview Heights, IL 60039
682.577.0000 • 682.577.0071 - Fax




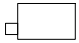

SHEET TITLE: CLAMP & PANEL LAYOUT
This document and the information contained herein are the property of LINDGREN RF. THE INFORMATION CONTAINED HEREIN IS UNCLASSIFIED EXCEPT WHERE SHOWN OTHERWISE. IT IS TO BE USED FOR THE PURPOSES SPECIFIED IN THE CONTRACT AND IS NOT TO BE REPRODUCED OR TRANSMITTED IN ANY FORM OR BY ANY MEANS, ELECTRONIC OR MECHANICAL, INCLUDING PHOTOCOPYING, RECORDING, OR BY ANY INFORMATION STORAGE AND RETRIEVAL SYSTEM, WITHOUT THE EXPRESS WRITTEN PERMISSION OF ETS-LINDGREN.

REV	DATE	DESCRIPTION
B	1/31/12	REV PER LASER LOCATION
A	1/5/12	REV PER CLIENT COMMENTS

PROJECT TITLE: BROADCOM
AMS-8700
ADDRESS: COLORADO SPRINGS, CO

DRAWN BY:
CHECKED BY:
DATE: 12/2/11
SCALE: NONE
JOB NO: PJ1553
REV: B
DRAWING NO: RF8

LEGEND

-  OUTLET, QUAD 110V, 60 Hz 1Ø, 20A (N.I.C.)
-  L5-20 NEMA OUTLET, 220V, 60 Hz, 1Ø, 20A (N.I.C.)
-  POSITIONER MOTOR, 230V, 1Ø, 2 WIRE, 30A
-  FIBER OPTIC LIGHT FIXTURE (BY ETS)
-  J-BOX
- 20 A, 1 PH, LIGHT SWITCH 48" A.F.F. (N.I.C.)

FILTER SCHEDULE			
QTY	MODEL NO.	DESCRIPTION	PART NO.
		ANECHOIC CHAMBER	
1	LRW-2030 POWER LINE	30Ax2 LINE 110/220 VAC 1Ø 50/60Hz FOR OUTLETS	E-LRW-2030-S1
1	LRW-2030 POWER LINE	30Ax2 LINE 230 VAC 1Ø 50/60Hz FOR POSITIONER	E-LRW-2030-S1

ALL FILTERS WILL BE SUPPLIED & INSTALLED BY ETS.

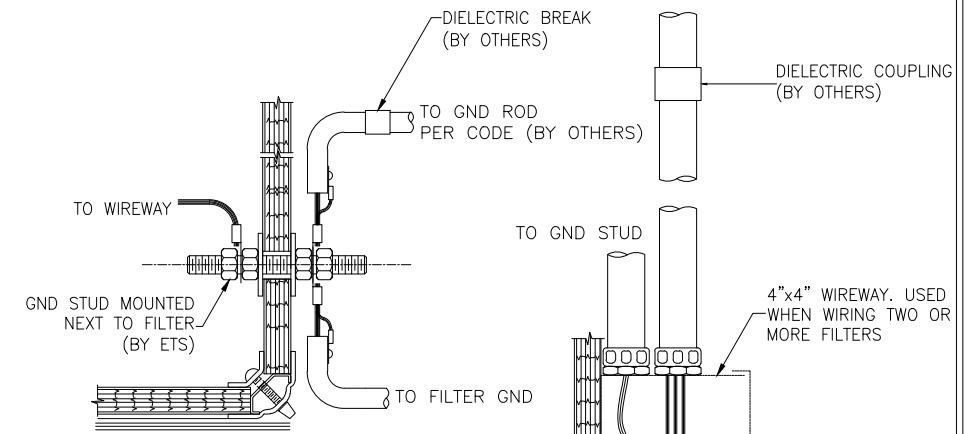
STANDARD ELECTRICAL NOTES

- ALL ELECTRICAL WORK TO BE DONE BY LICENSED ELECTRICAL CONTRACTOR (IN THE CITY AND STATE OF JOB SITE IS REQUIRED).
- ALL ELECTRICAL WORK TO CONFORM TO N.E.C., LOCAL, STATE AND FEDERAL CODES (AS APPLICABLE).
- ALL CONDUIT RUNS, WIRE SIZES SHOWN ARE FOR REFERENCE ONLY. EXACT CONDUIT ROUTING, NUMBER AND SIZE OF CONDUCTORS TO BE DETERMINED BY THE ELECTRICAL CONTRACTOR IN ACCORDANCE WITH NOTE 2.
- IF NECESSARY, CUSTOMER TO DETERMINE EXACT LOCATIONS OF ALL ELECTRICAL EQUIPMENT (LINE FILTERS, POWER PANELS, LIGHT FIXTURES, ETC.) AND TO COMPLY WITH NOTES 1, 2, AND 3.
- ALL ELECTRICAL EQUIPMENT TO BE SURFACE MOUNTED TYPE AND TO BE INSTALLED NO CLOSER THAN 4" TO ANY CLAMP SYSTEM. FASTENERS (#10x3/4" MAX) ARE TO PENETRATE ONLY ONE SKIN (OUTER OR INNER). CONDUIT RUNS/ELEMENTS SHALL BE LOCATED SO AS NOT TO INTERFERE WITH SCREWS OR BOLTS ON THE CLAMP SYSTEM. DO NOT PENETRATE ANY PART OF THE SHIELDED WALL WITHOUT APPROVAL OF ETS ON SITE SUPERVISOR.
- CUSTOMER IS RESPONSIBLE TO PROVIDE ALL INPUT POWER TO POWER LINE, SIGNAL, AND/OR CONTROL FILTERS, WITH DIELECTRIC CONDUIT CONNECTOR.
- FABRICATOR/INSTALLER TO COORDINATE WITH ELECTRICAL CONTRACTOR PRIOR TO INSTALLATION.

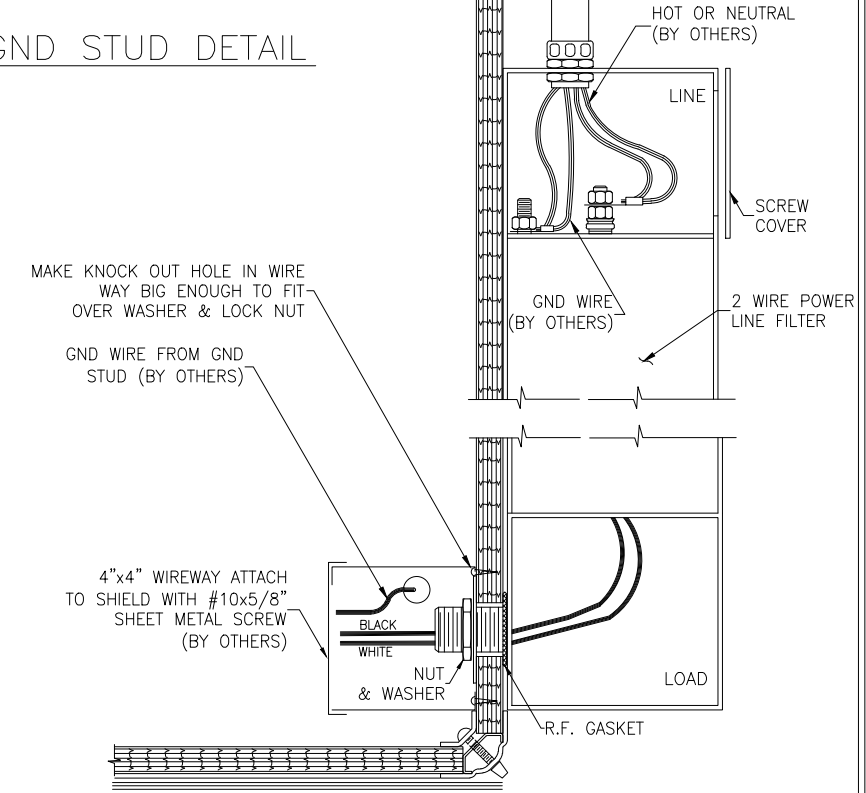
CAUTION

GROUNDING OF R.F. SHIELDED ROOMS

- CONSTRUCTION GROUNDING: ALL SHIELDED ROOMS MUST HAVE A SUITABLE GROUNDING BEFORE FILTERS ARE INSTALLED AND ENERGIZED TO PREVENT POSSIBILITY OF ELECTRIC SHOCK.
- ROOMS WITH ISOLATED GROUNDS: ON THESE SHIELDED ROOMS FROM TIME TO TIME THE ELECTRICAL POWER AND THE RESPECTIVE GROUNDS MUST BE REMOVED TO MEASURE AND CERTIFY THE GROUND ISOLATION. DURING THIS PERIOD THE "CONSTRUCTION GROUND" MUST BE REMOVED FOR TESTS.
- EACH END OF THE TEMPORARY CONSTRUCTION GROUND CONDUCTOR MUST BE EQUIPPED WITH A SUITABLE COMMERCIAL GROUNDING CLAMP OR OTHER UL APPROVED CONNECTOR FOR THIS USE.
- THE PROJECT FIELD FOREMAN SHALL BE RESPONSIBLE TO CHECK THE CONSTRUCTION SAFETY GROUND AT INITIAL INSTALLATION, AT THE START OF EACH WORK DAY AND AGAIN BEFORE STARTING WORK AFTER THE NORMAL LUNCH PERIOD. UPON COMPLETION OF THE PERMANENT FACILITY GROUNDING, THE TEMPORARY GROUND IS TO BE RETURNED TO ETS-LINDGREN.



GND STUD DETAIL



1 FILTER DETAIL (CHAMBER)

ETS-LINDGREN
An ESCO Company

Austin Office: 1301 Arrow Peak Drive Cedar Park, TX 78613
952.531-0000 # 952.531-6000 - Fax

Chicago Office: 400 High Grove Boulevard - Glenview Heights, IL 60059
848.307.6200 # 848.307.6201 - Fax

SHEET TITLE: ELECTRICAL NOTES/LEGEND

This document and the information contained herein are the property of LINDGREN RF ENCLOSURES, INC. Glenview Heights, Illinois. Recipient agrees NOT to: (1) reproduce, copy, or disseminate this information to any other person in any form or by any means without the express written permission of LINDGREN RF ENCLOSURES, INC.; (2) furnish such information to any other person in any form or by any means without the express written permission of LINDGREN RF ENCLOSURES, INC.; or in part without the express written permission of LINDGREN RF ENCLOSURES, INC.

REV.	DATE	REV. PER.	CLIENT COMMENTS
A	1/5/12		

PROJECT TITLE: BROADCOM
AMS-8700

ADDRESS: COLORADO SPRINGS, CO

DRAWN BY: CM

CHECKED BY:

DATE: 12/2/11

SCALE: NONE

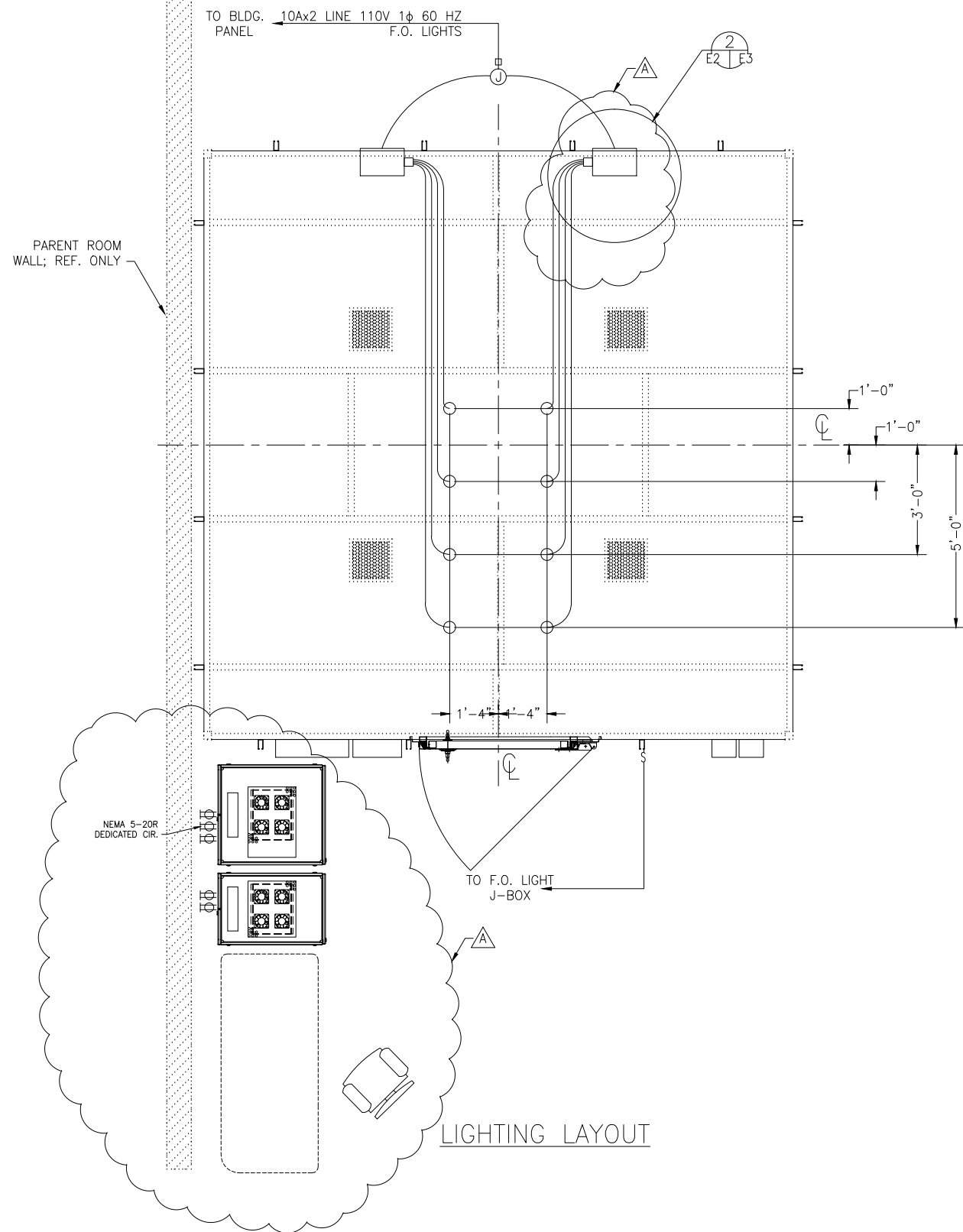
JOB NO: PJ1553

REV: A

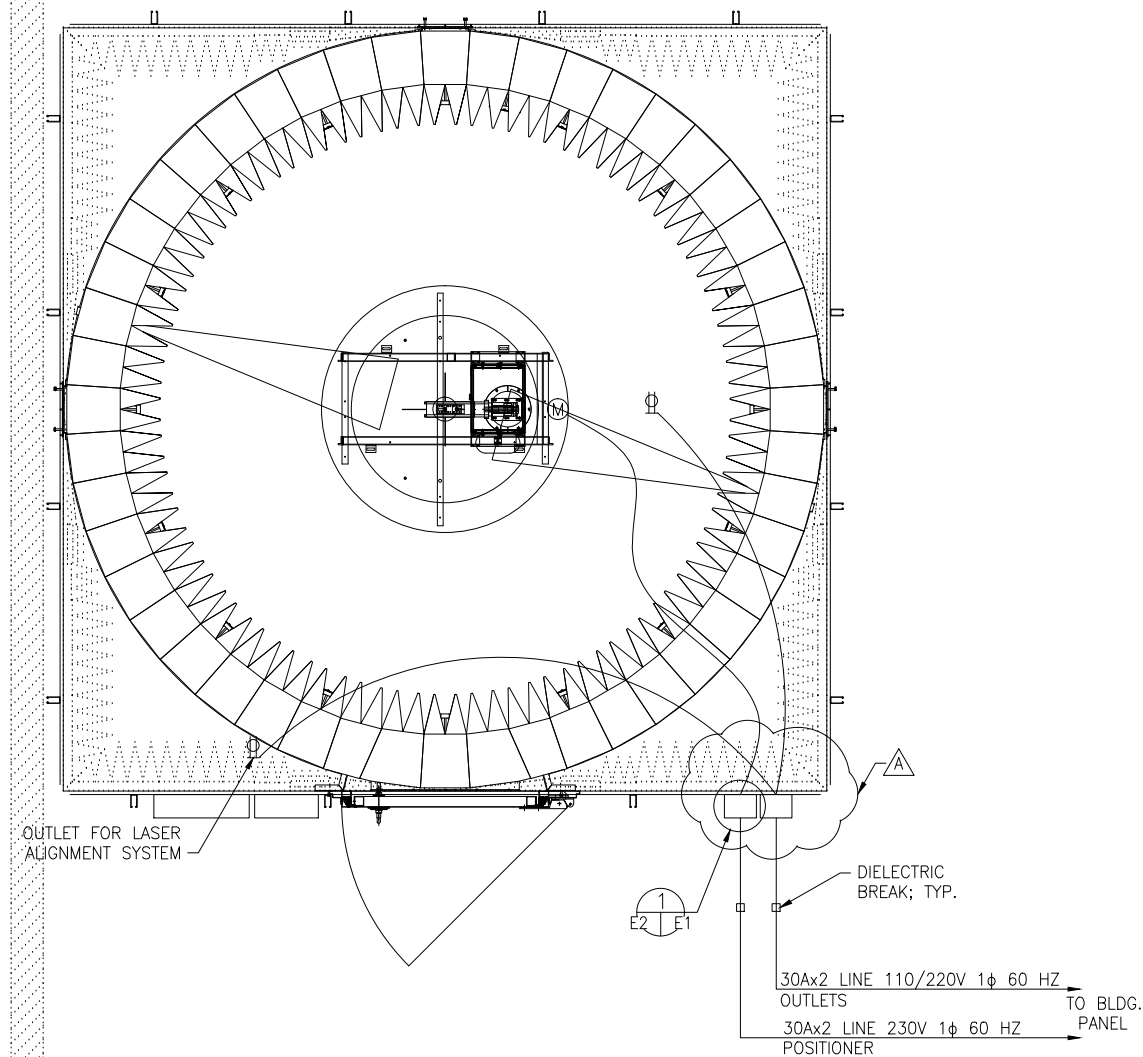
DRAWING NO: E1

NOTE:

FIELD LOCATE ALL FILTERS, PENETRATIONS AND CONNECTOR PANELS.



LIGHTING LAYOUT



ELECTRICAL LAYOUT

ETS • LINDGREN
 An ESCO Technologies Company
 Austin Office : 1301 Arrow Peak Drive • Cedar Park, TX 78613
 512.531-0100 # 512.531-6600 - Fax
 Chicago Office : 400 High Grove Boulevard • Glendale Heights, IL 60139
 630.377.2800 # 630.377.9711 - Fax

SHEET TITLE: ELECTRICAL LAYOUT
 This document and the information contained herein are the property of LINDGREN RF ENCLOSURES, INC. Glendale Heights, Illinois. Recipient agrees NOT to: 1. Reproduce, copy, or disseminate this information without the express written permission of ETS • LINDGREN, (C) 2011. 2. Furnish such information to any other person, in whole or in part, without the express written permission of ETS • LINDGREN, (C) 2011. 3. Use this information for any purpose whatsoever without the express written permission of ETS • LINDGREN, (C) 2011. 4. Reproduce, copy, or disseminate this information in whole or in part without the express written permission of ETS • LINDGREN, (C) 2011.

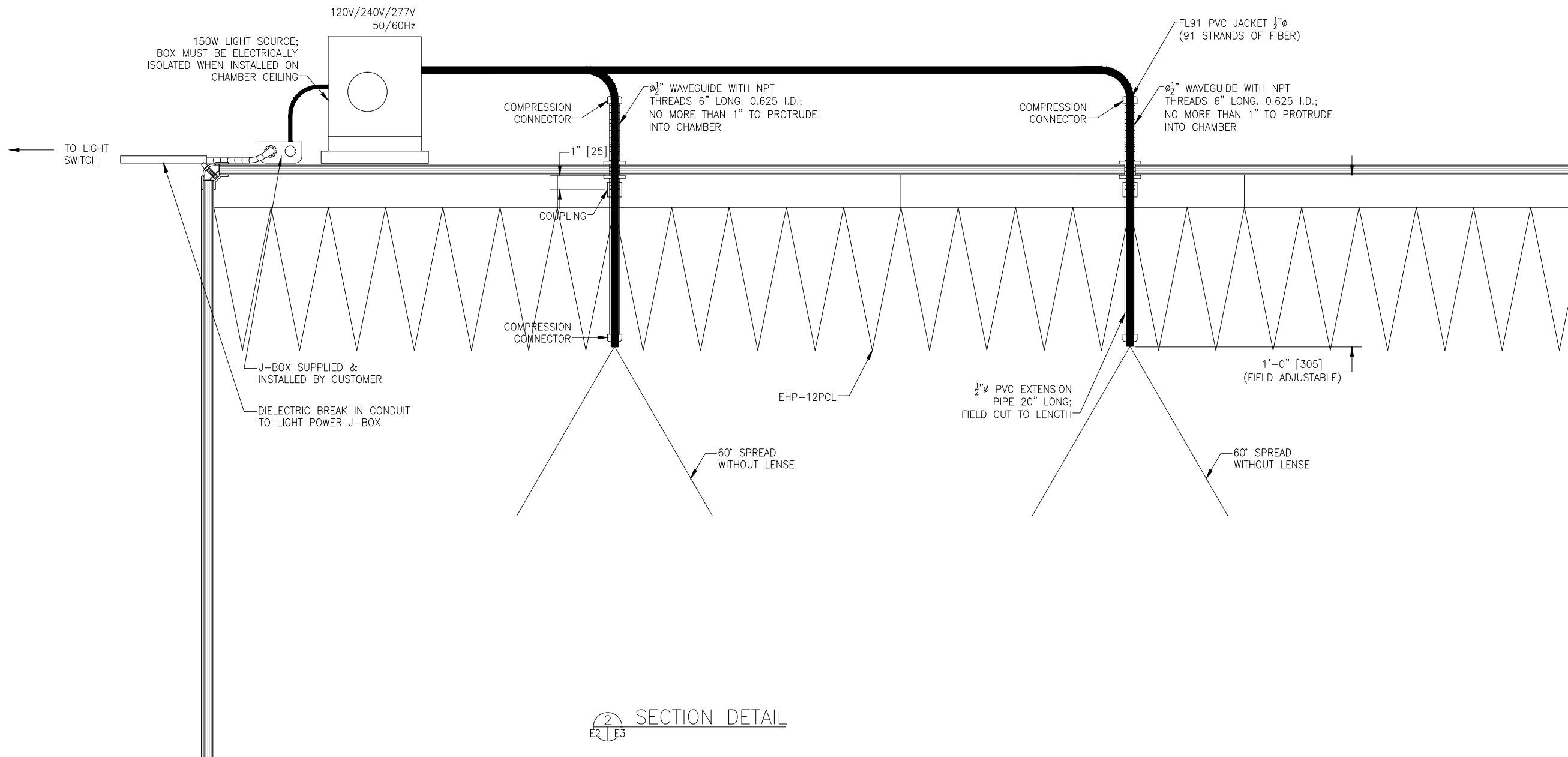
REV.	DATE	REV PER CLIENT COMMENTS	DESCRIPTION
A	1/5/12		

PROJECT TITLE: BROADCOM
 AMS-8700
 ADDRESS: COLORADO SPRINGS, CO

DRAWN BY: CM
 CHECKED BY:
 DATE: 12/2/11
 SCALE: 1/2" = 1'-0"

JOB NO: PJ1553
 REV: A
 DRAWING NO: E2





SECTION DETAIL
E2 | E3

ETS-LINDGREN
An ESCO Technologies Company
Austin Office: 1301 Arrow Peak Drive • Cedar Park, TX 78613
952.331-0100 # 952.331-6000 - Fax
Chicago Office: 400 High Grove Boulevard • Glendale Heights, IL 60139
630.307.7800 # 630.307.7871 - Fax

SHEET TITLE: ELECTRICAL DETAILS
This document and the information contained herein are the property of LINDGREN RF ENCLOSURES, INC. Glendale Heights, Illinois. Recipient agrees NOT to: reproduce, copy, disseminate, or otherwise use this information for any purpose whatsoever without the express written permission of ETS-LINDGREN. (2) Furnish such information to any other person, in whole or in part without the express written permission of ETS-LINDGREN.

REV.	DATE	REV PER	CLIENT COMMENTS
A	1/5/12		

PROJECT TITLE: BROADCOM
AMS-8700
ADDRESS: COLORADO SPRINGS, CO

DRAWN BY: CM
CHECKED BY:
DATE: 12/2/11
SCALE: NONE
JOB NO: PJ1553
REV: A
DRAWING NO: E3

STRUCTURAL STEEL NOTES

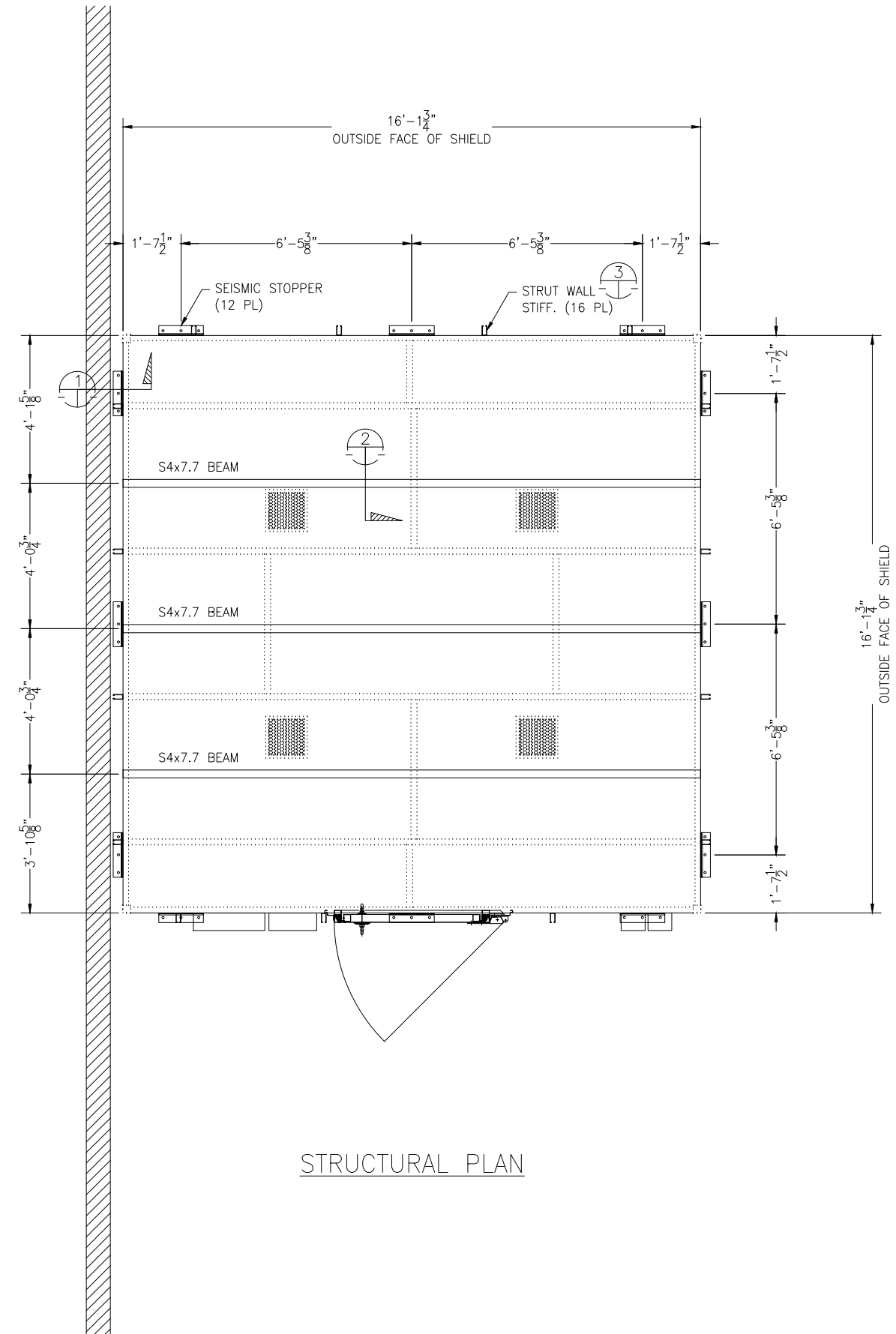
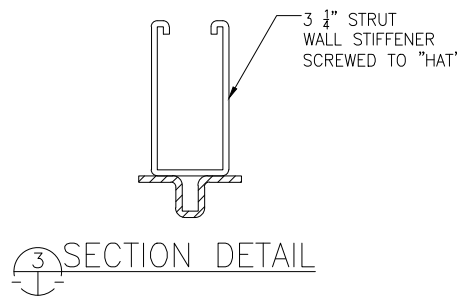
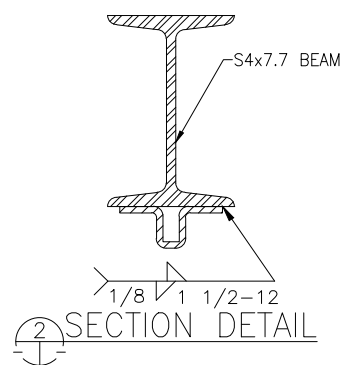
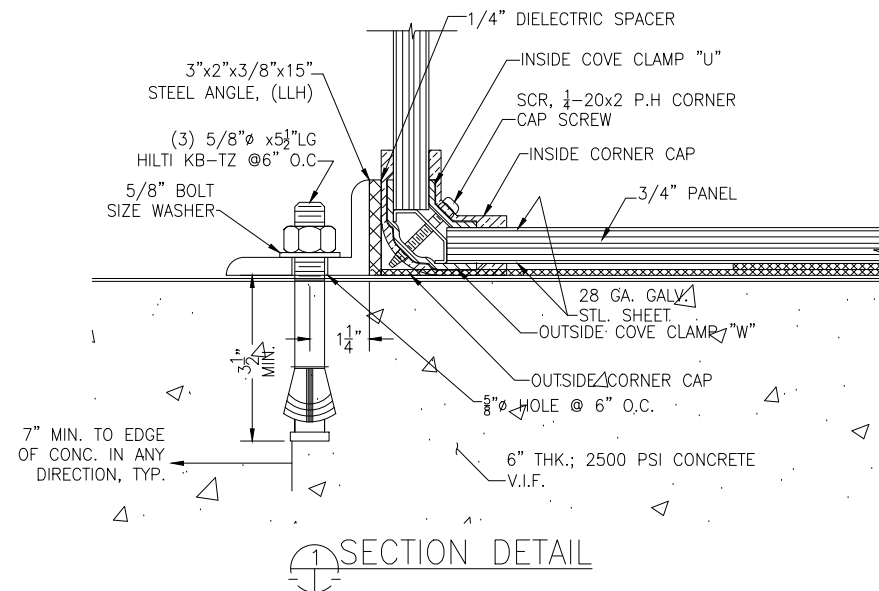
- FABRICATION TO BE IN ACCORDANCE WITH A.I.S.C.
- DESIGN TO BE PER 2010 CALIFORNIA BUILDING CODE
- NOT USED
- STRUCTURAL STEEL SHAPES & PLATES TO BE ASTM A-36. STRUCTURAL 10GA. STEEL TUBE AND COLD-FORMED MODULAR STRUT TO BE ASTM A570 GR. 33MIN.
- ALL WELDING TO COMPLY WITH A.W.S. SPECIFICATIONS AND SYMBOLS.
- ALL STRUCTURAL ANCHOR BOLTS ICC ESR-1917 TO BE HILTI KB-TZ OR STRUCTURAL EQUIVALENT A.B.
- STRUCTURAL STEEL CONNECTIONS TO BE A307 BOLTS.
- NOT USED
- DESIGN CEILING LIVE LOAD = 10 PSF. WHERE CLEARANCE IS 30" OR GREATER. NO ALLOWANCE FOR ADDITIONAL ATTACHMENTS OTHER THAN THOSE SHOWN ON STRUCTURAL DRAWINGS.

GROUND ISOLATION GUIDELINES

- UNDER NO CIRCUMSTANCE CAN ANY CONDUCTIVE MATERIAL COME IN CONTACT WITH THE EXTERIOR OF THE ENCLOSURE OR THE STRUCTURAL SYSTEM OF THE SHIELDED ROOM.

RECTANGULAR CHAMBER DESIGN LOADS

CHAMBER CEILING	
SERIES 81 MODULAR PANEL	5.0 LBS./SQ. FT.
BEAMS	2.0 LBS./SQ. FT.
ABSORBER	2.1 LBS./SQ. FT.
MISCELLANEOUS	0.5 LBS./SQ. FT.
TOTAL DEAD LOAD	9.6 PSF
LIVE LOAD	10.0 PSF
TOTAL CHAMBER CEILING LOAD	19.6 PSF
CHAMBER WALLS	
SERIES 81 MODULAR PANEL	5.0 LBS./SQ. FT.
STRUT FRAMING	1.0 LBS./SQ. FT.
ABSORBER	2.1 LBS./SQ. FT.
MISCELLANEOUS	0.5 LBS./SQ. FT.
TOTAL WALL WEIGHT	8.6 PSF
CHAMBER FLOOR	
SERIES 81 MODULAR PANEL	5.0 LBS./SQ. FT.
FRAMING SYSTEM	1.0 LBS./SQ. FT.
ABSORBER	2.1 LBS./SQ. FT.



STRUCTURAL PLAN

PRELIMINARY
 BY CM DATE 12/19/11
 NOT FOR RELEASE



ETS-LINDGREN
 An ESCO Technologies Company
 Austin Office: 1301 Arrow Point Drive • Cedar Park, TX 78613
 512.531-0000 • 512.531-6000 • Fax
 Chicago Office: 400 High Grove Boulevard • Glendale Heights, IL 60139
 630.307.6200 • 630.307.6211 • Fax

SHEET TITLE: **STRUCTURAL PLAN**
 This document and the information contained herein are the property of LINDGREN RF ENCLOSURES, INC. Glendale Heights, Illinois. Recipient agrees NOT to: REPRODUCE, REVERSE ENGINEER, DISSEMINATE, OR TRANSMIT IN ANY MANNER, IN ANY FORM OR BY ANY MEANS, WITHOUT THE WRITTEN PERMISSION OF LINDGREN RF ENCLOSURES, INC. ETS-LINDGREN (C) Furnish such information to any other person in confidence or in part without the express written permission of ETS-LINDGREN.

REVISIONS:	DATE	DESCRIPTION

PROJECT TITLE: **BROADCOM**
AMS-8700
 ADDRESS: **COLORADO SPRINGS, CO**

DRAWN BY: CM
 CHECKED BY:
 DATE: 12/2/11
 SCALE: 1/2" = 1'-0"
 JOB NO: **PJ1553**
 REV:

DRAWING NO: **S1**