

## *ArenaColor brings Color and Intensity Control to Sports Lighting Fixtures*

The Syncrolite™ ArenaColor 2000 watt metal-halide system provides new capabilities and simplicity for stadium, festival, arena, monument and event lighting. By utilizing various Syncrolite proprietary innovations the Arena Color mates to the Philips ArenaVision lighting fixture allowing two feature cartridges to be installed to add color and dimming.

Color is achieved using our patented Omnicolor™ dichroic system featuring heat-resistant Dichro-Film™ color filters that provide true additive and subtractive colors. The beam is controlled by a selectable fixed VFL holographic micro lens light-shaping diffuser. The combination of these elements provides seamless dichroic color and unprecedented flat fields. DichroFilm™ filters are available in Cyan, Yellow, Magenta, Red, Green, Blue, Orange, Violet, CTO, CTS & CTB. Dimming is accomplished via a high speed Venetian blind douser. The unit is IP43 rated.



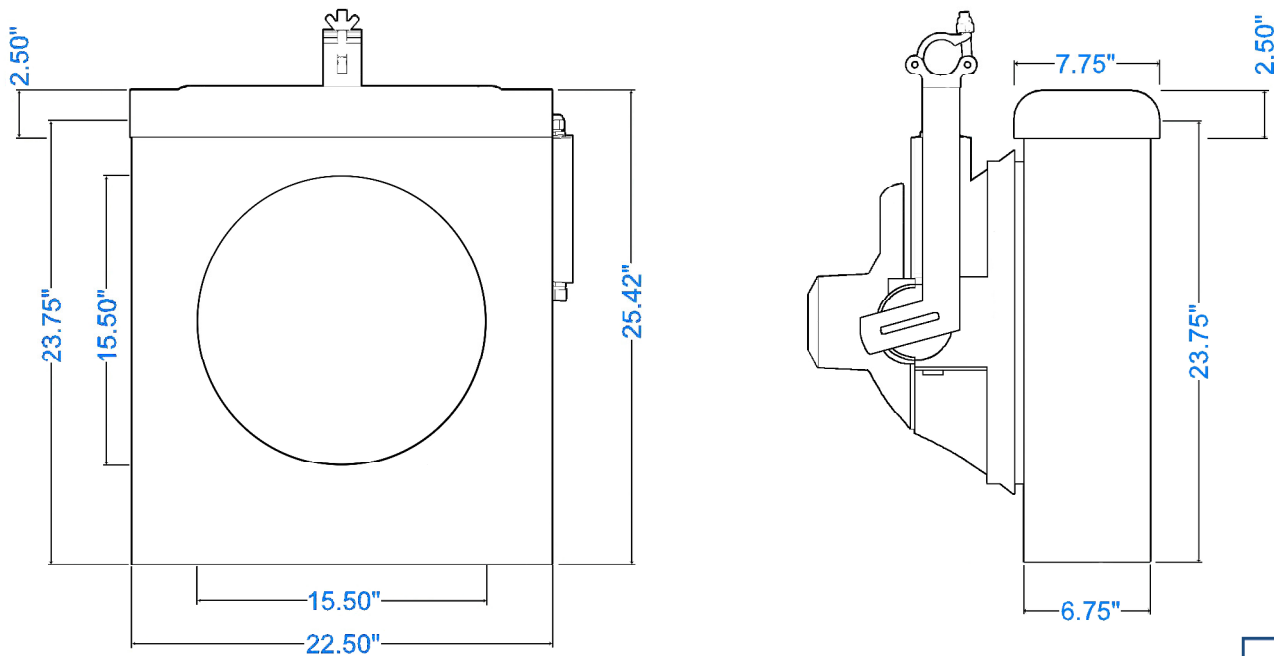
## **FEATURES**

- VFL light-shaping diffuser film lenses, available from 5° to 80° and in various anamorphic ratios including 60° x 10°, 30° x 5°, 75° x 35°, 40° x 0.2° and 95° x 35°. VFL lenses provide unparalleled flat fields and color integration.
- Omnicolor™ dichroic color mixing system.
- DMX controlled Venetian blind douser offers 0 to 100% intensity control.

## SPECIFICATIONS

Source:	Philips MASTER MHN-SE/2000	Color Module:	OmniColor™ color-changing system with DichroFilm™ filters
Life:	3000 Hours	Lens Module:	VFL holographic microlens light shaping diffusers,
Color Temperature:	5600	Power Requirement:	US 480V 3-wire 4.9A 60 Hz Europe/Asia 400V 3-wire 5.9A 50Hz
CRI:	93	Note: Normally powered in groups of three from 3-phase source using splitter box and appropriate power distribution.	
Reflector:	16" Polished Aluminum/Narrow Field	Construction:	Powder-Coated Aluminum
Operation:	Opto-Isolated electronics, servo motor operation	Mounting:	Mountable on all planes
Strobe/Douser:	High-speed Venetian-blind style douser	Fixture & Color Changer Weight:	73 lbs
Power Supply Connector::	AMP/Tyco CPC Series III	Ballast Weight:	65 lbs

## DIMENSIONS



Syncrolite's proprietary OmniColor™ technology is Patent Protected. Product is CSA / ETL / CE Listed  
 Copyright © 2015 Syncrolite, LLC Specifications subject to change. v20150515

