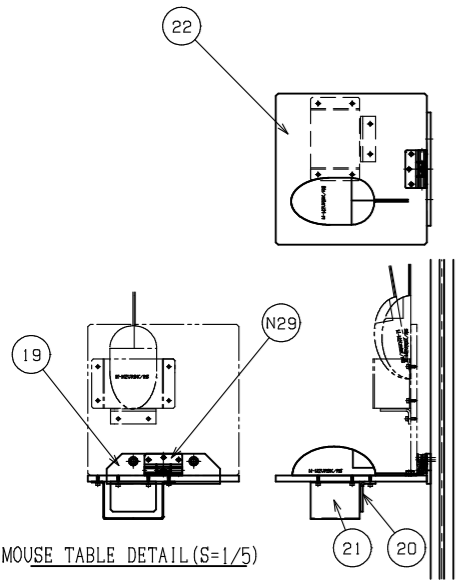
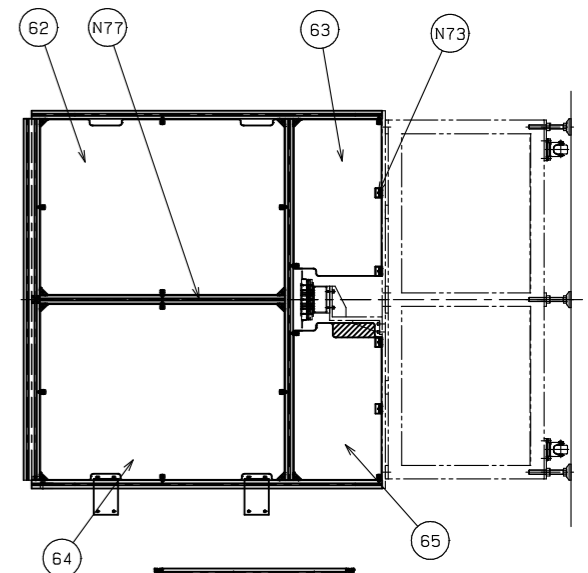
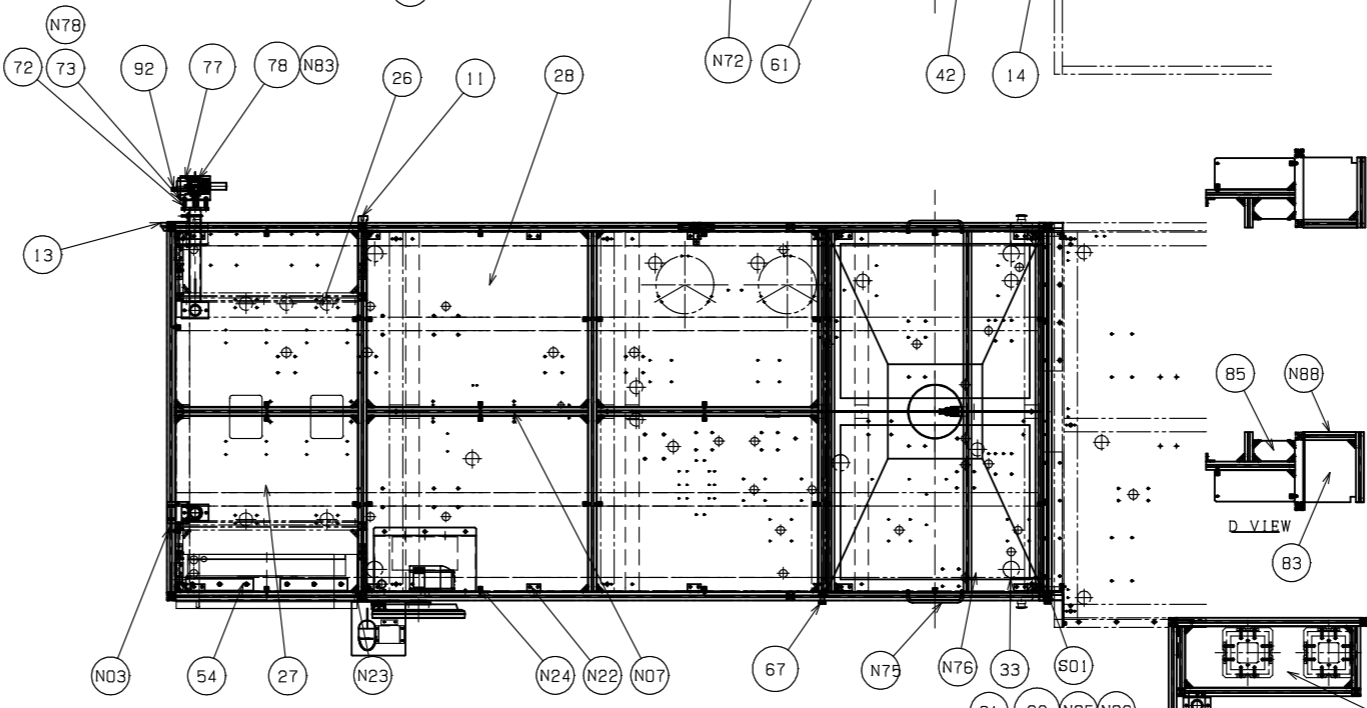
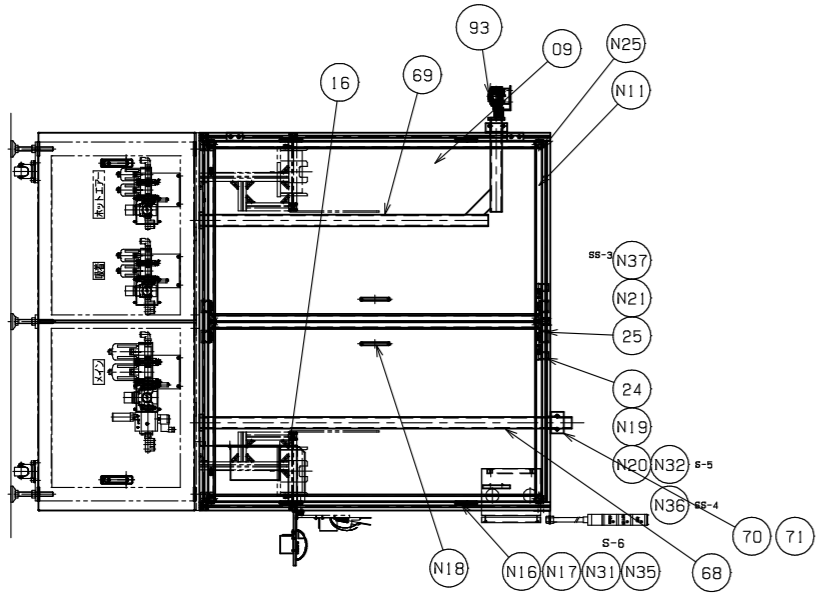
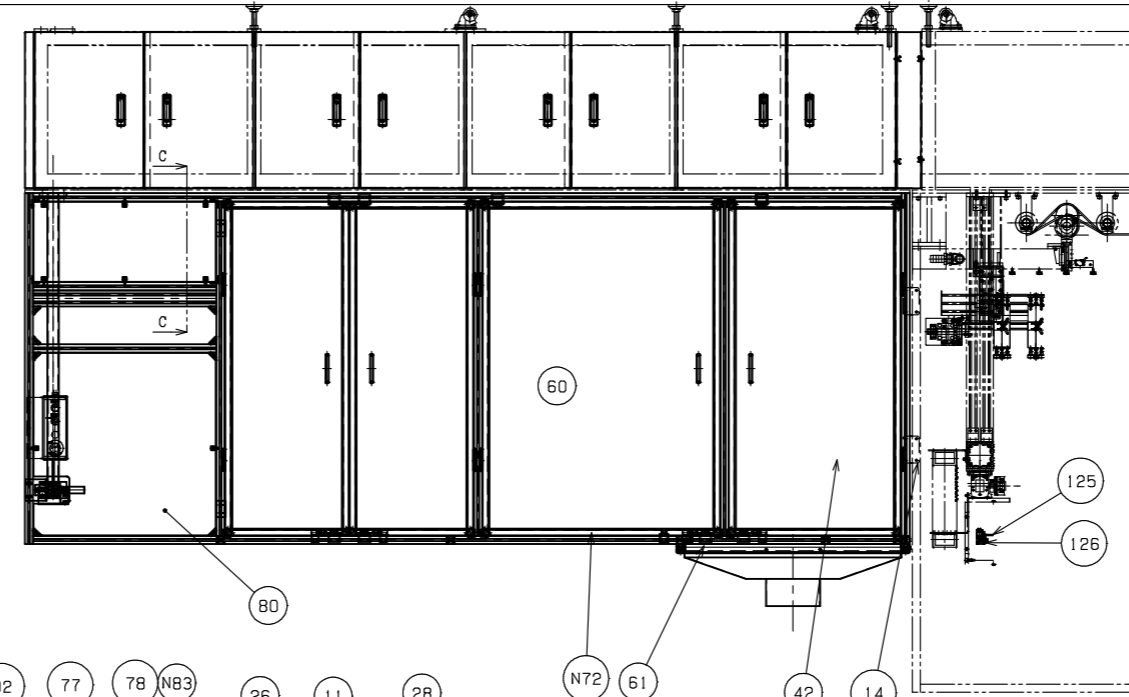
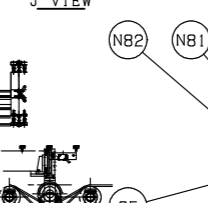
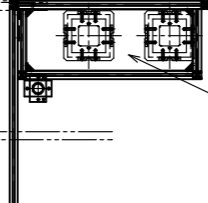
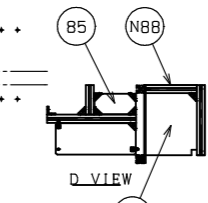
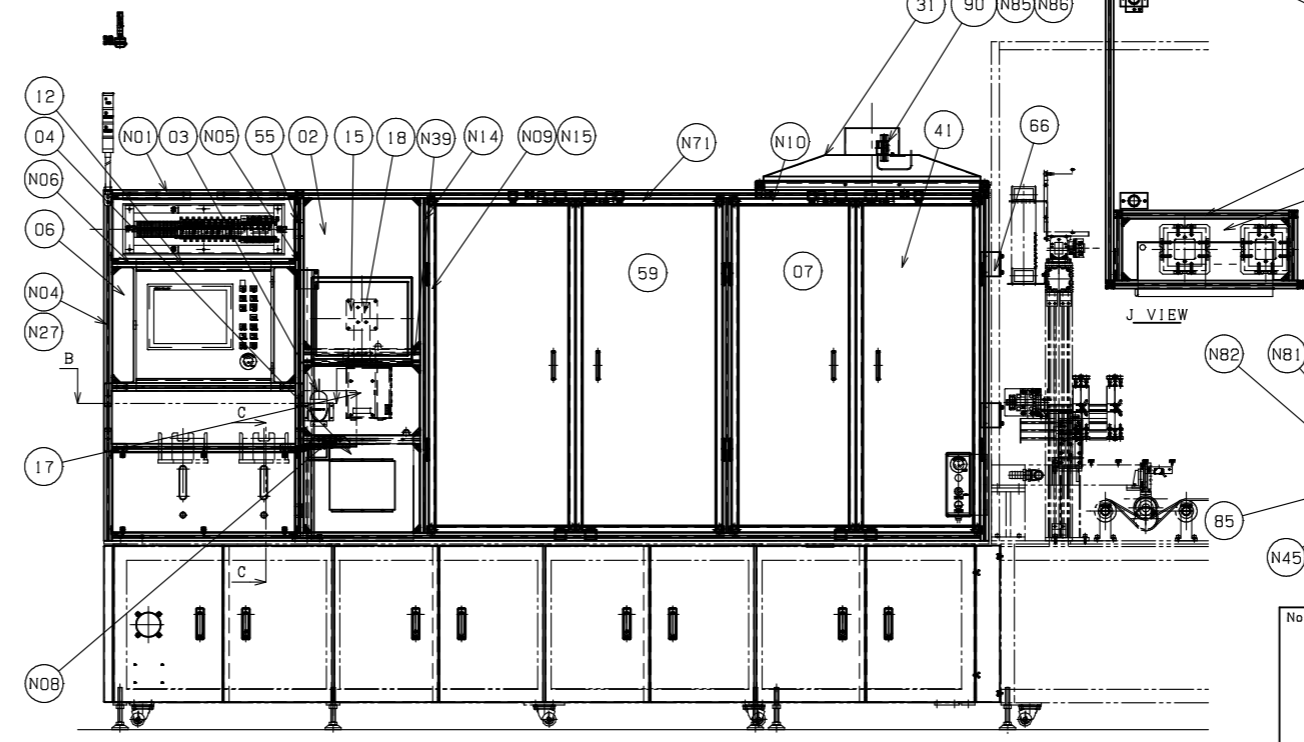


A DETAILED DRAWING (S=1/5)



MOUSE TABLE DETAIL (S=1/5)



Date		Machine number		One set	Total
10 - 07 - 09		18003587-02		Quantity	Quantity
Material	Finish	Approved	Checked	Designed	Drawn
					Y.N
Heat treatment	Scale	Name			
	1 / 14	UPPER COVER			
Surface treatment	3rd angle method	Drawing number			
		140- 00			

Notes