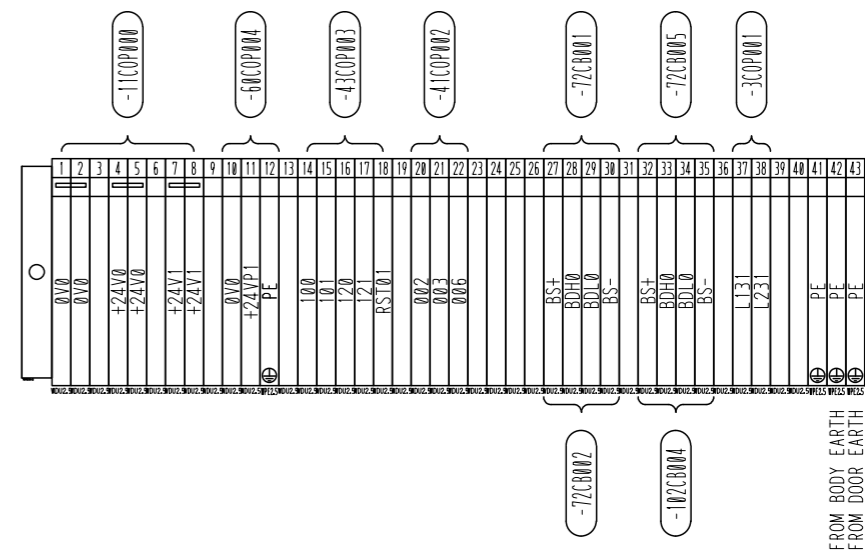


TBOP01

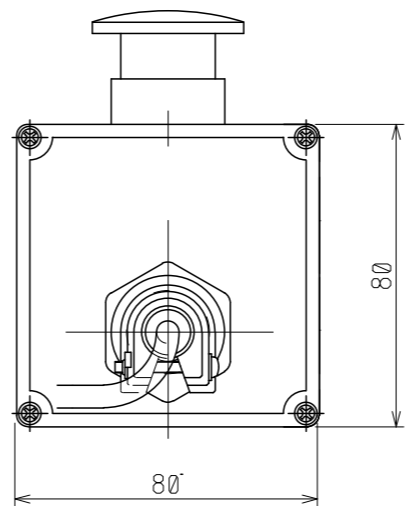
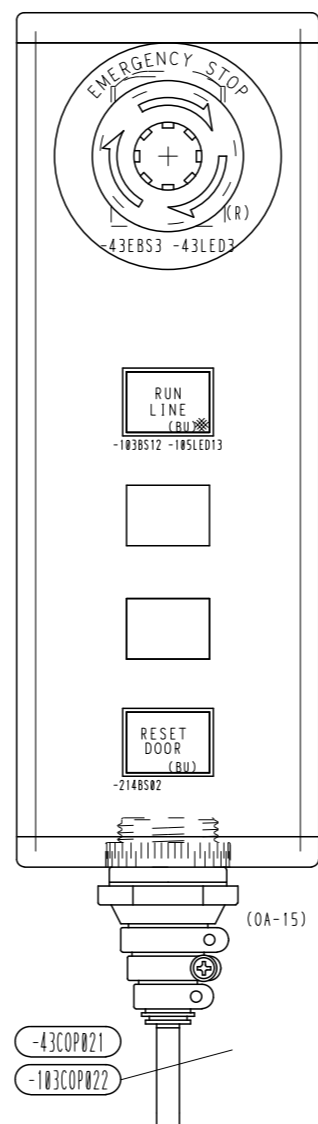
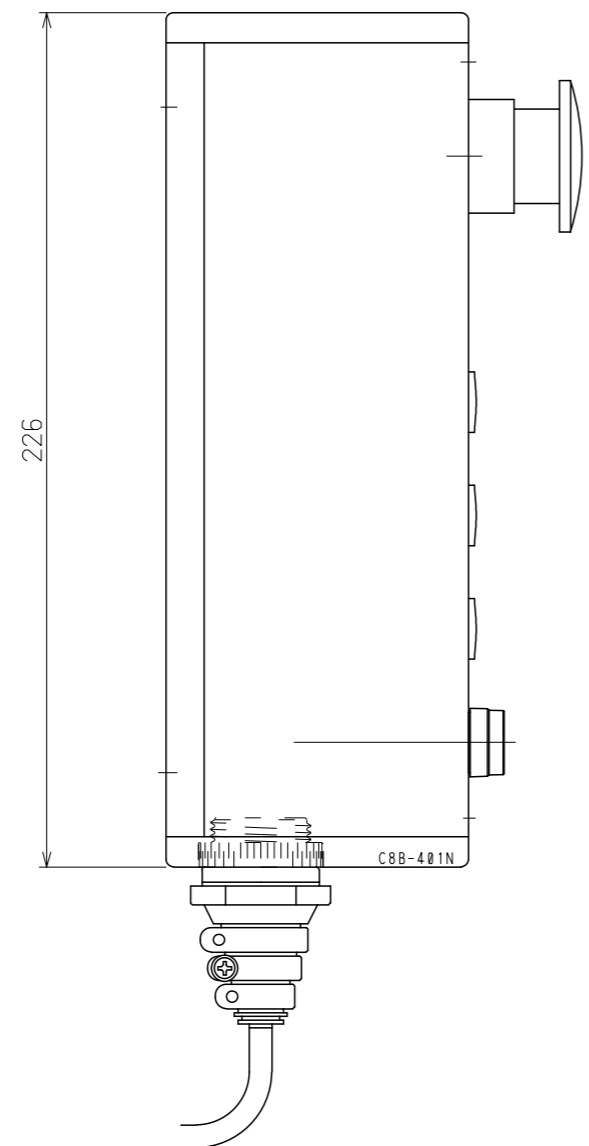
WDU 2.5	(40P)
WPE 2.5	(3P)



(Remark)
 #1 : W30×H60 Cable duct
 #2 : W40×H60 Cable duct
 #3 : W60×H60 Cable duct

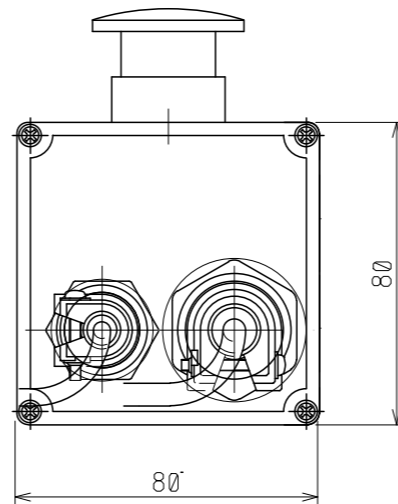
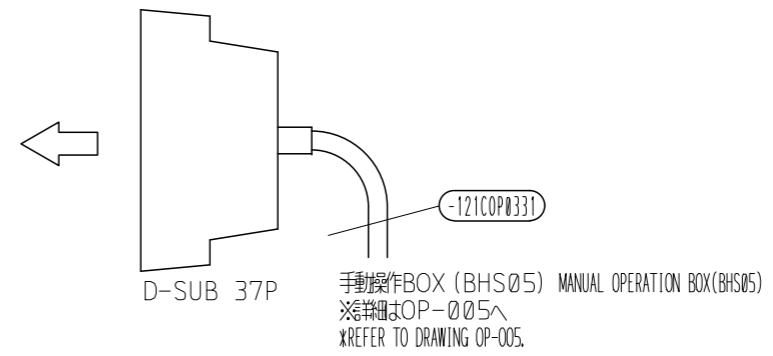
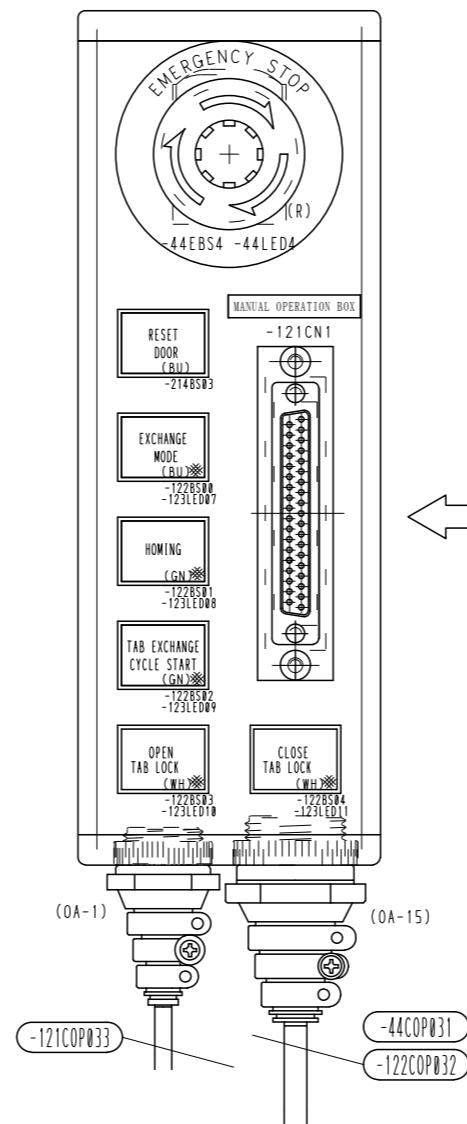
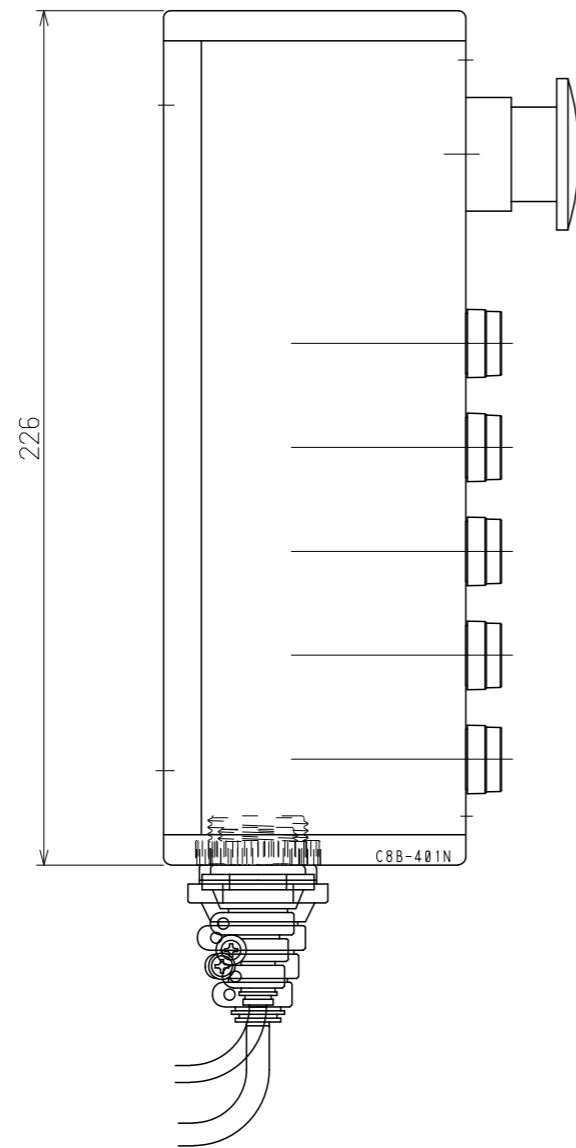
REV.						PRODUCT NO.	メイン操作BOX (BHM) MAIN OPERATION BOX(BHM)	TITLE	メイン操作BOX 部品配置図 MAIN OPERATION BOX LAYOUT	SH. NO.
						NPC Incorporated		DWG. NO	18003587-02-OP	001

マガジン取出し部 手元操作BOX (BHS02)
 MAGAZINE DISCHARGE UNIT OPERATION BOX (BHS02)



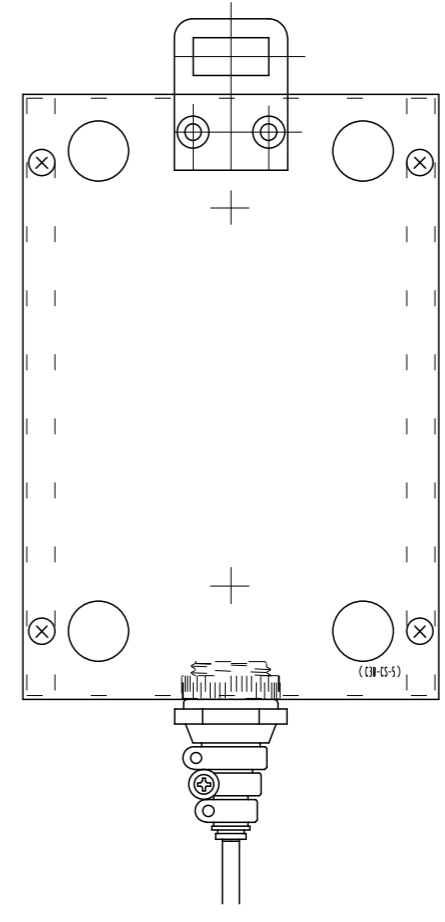
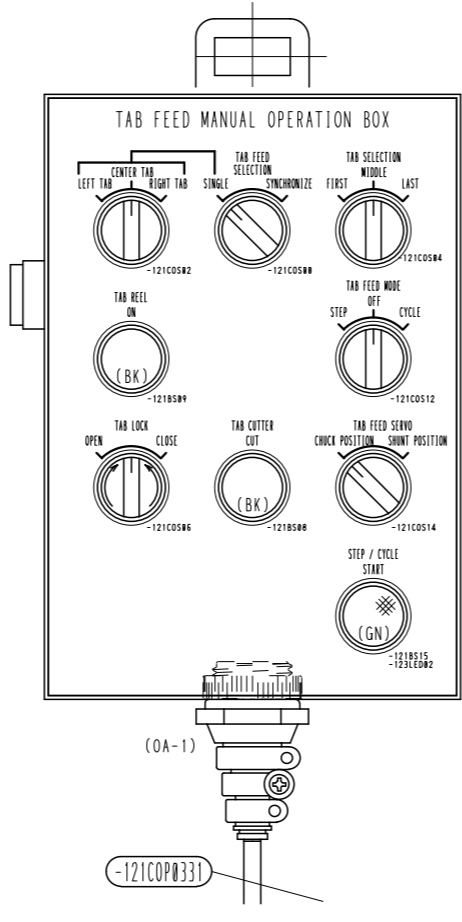
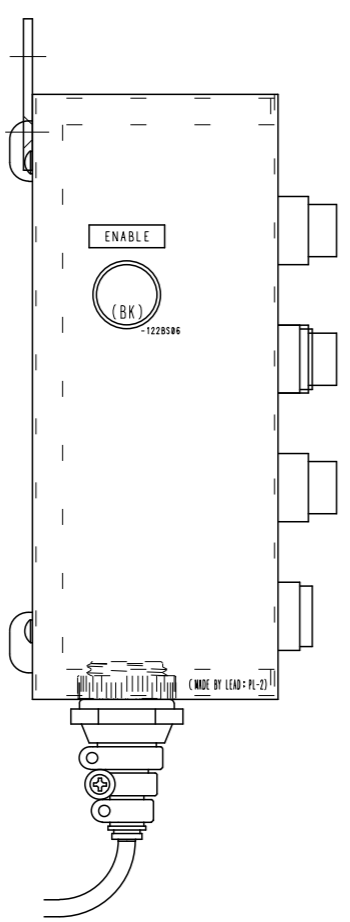
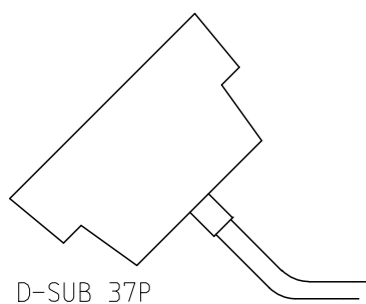
REV.							PRODUCT NO.	*** ***	TITLE	マガジン供給部手元操作BOX(BHS02). MAGAZINE LOADER UNIT OPERATION BOX(BHS02)	SH. NO.
							NPC Incorporated		DWG. NO	18003587-02-OP	002

タブ供給側 手元操作BOX (BHS03)
TAB FEED SIDE OPERATION BOX (BHS03)

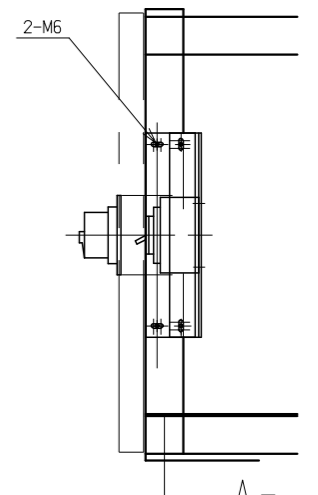
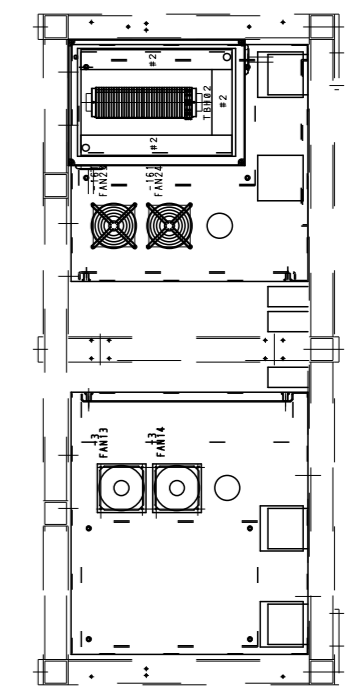
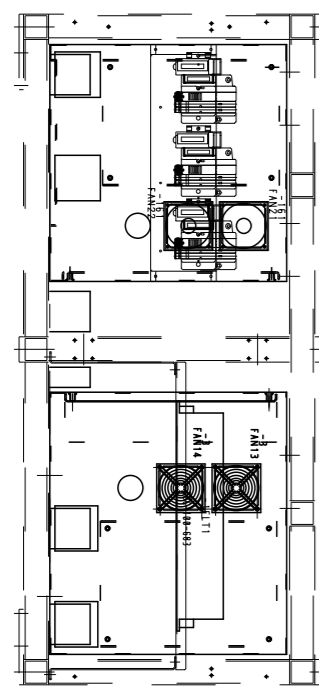
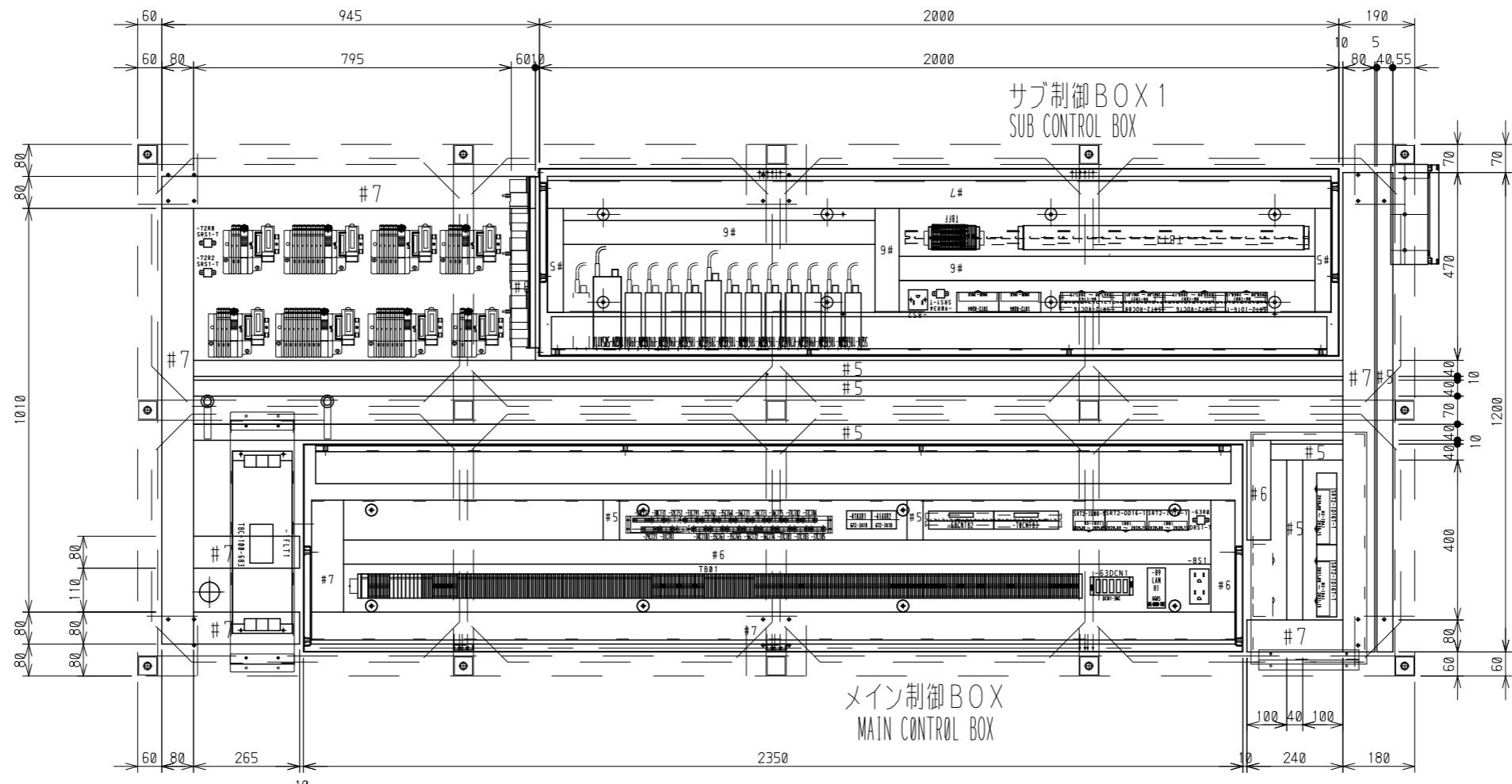
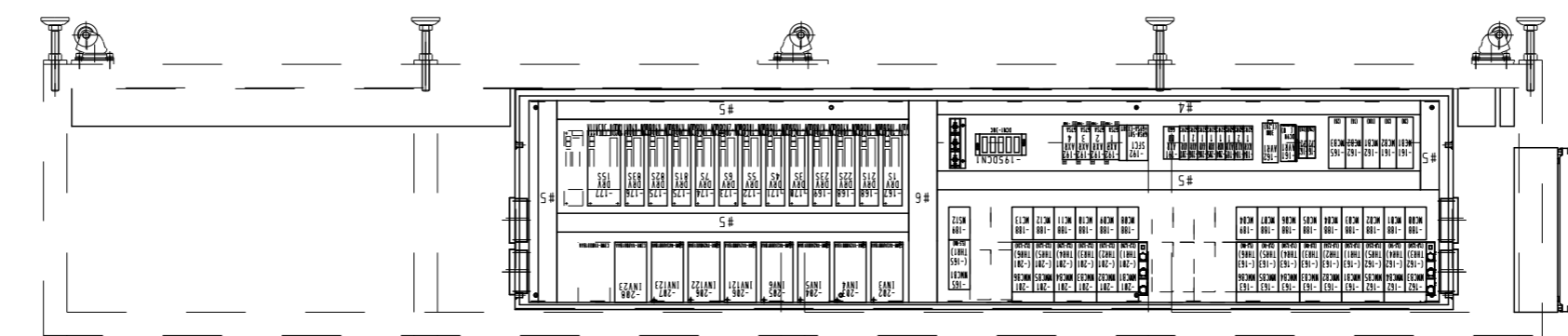


REV.							PRODUCT NO.	タブ供給側 TAB FEED UNIT	TITLE	手元操作BOX(BHS03). TAB FEED UNIT MANUAL OPERATION BOX(BHS03)	SH. NO.
							NPC Incorporated		DWG. NO	18003587-02-OP	003

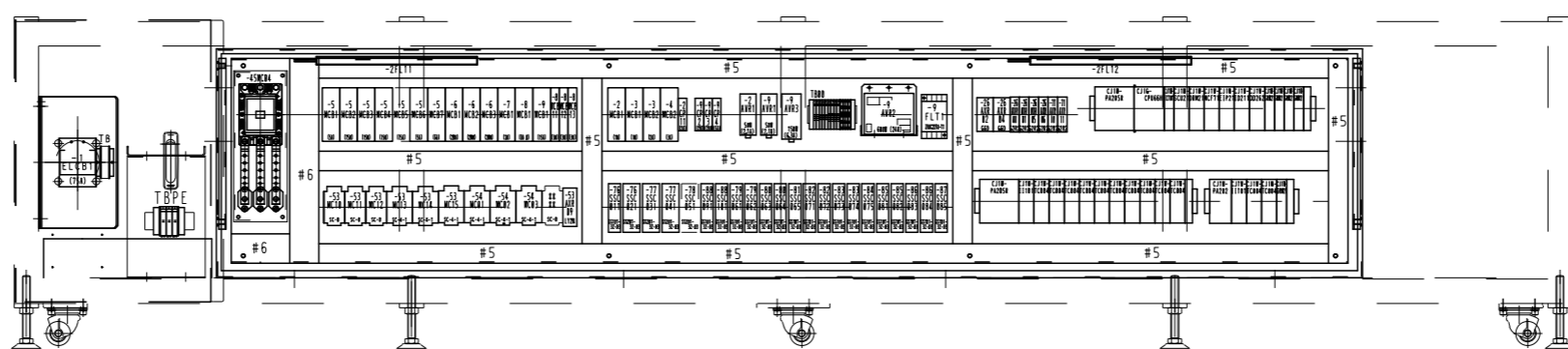
手動操作BOX (BHS05)
 MANUAL OPERATION BOX (BHS05)
 タブ供給部
 TAB FEED UNIT



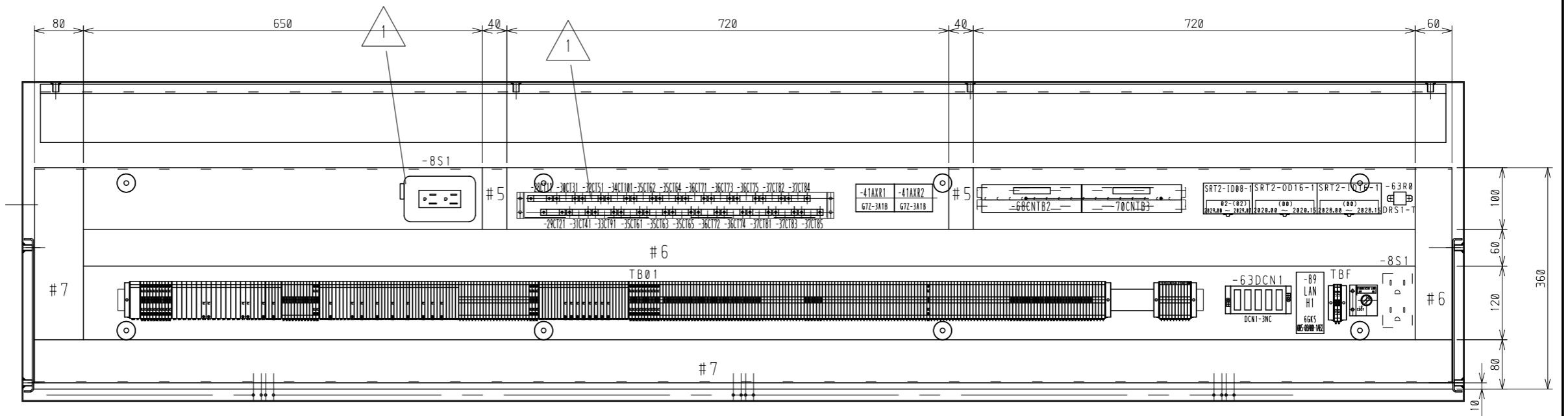
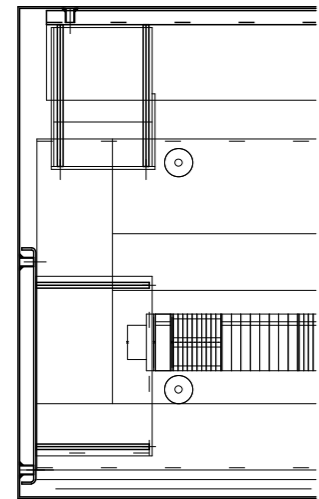
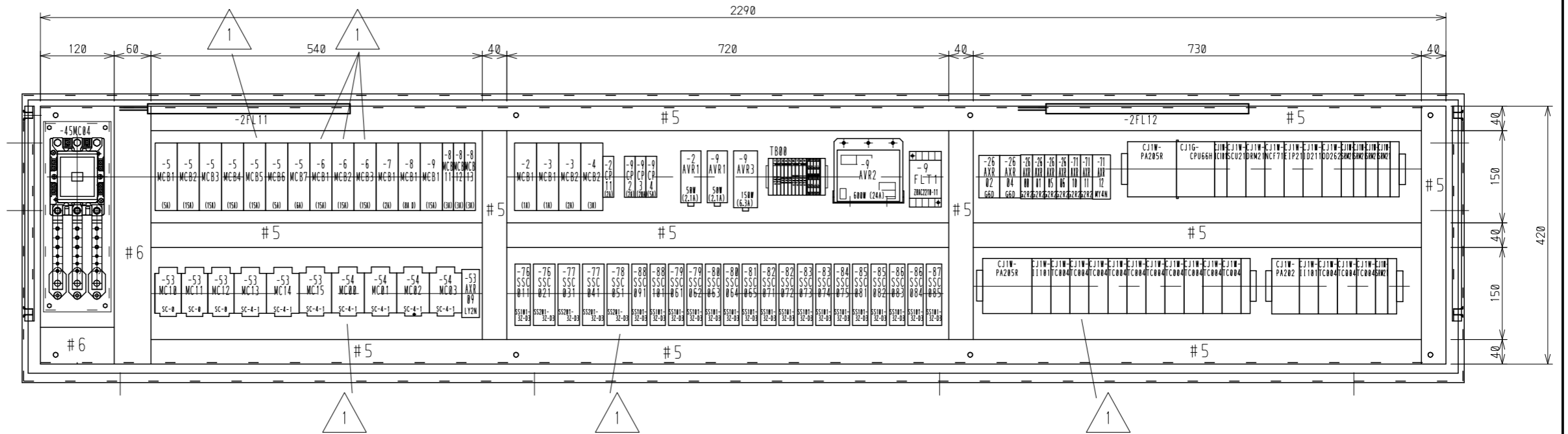
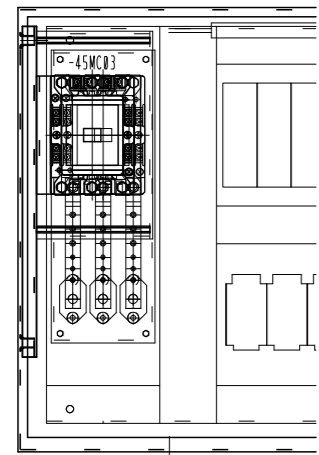
REV.							PRODUCT NO.	タブ供給部 TAB FEED UNIT	TITLE	手元操作BOX(BHS05). TAB FEED UNIT MANUAL OPERATION BOX(BHS05)	SH. NO.
							NPC Incorporated		DWG. NO	18003587-02-OP	005



- (REMARK)
- #1 : W 30 X H 60 CABLE DUCT
 - #2 : W 40 X H 60 CABLE DUCT
 - #3 : W 60 X H 60 CABLE DUCT
 - #4 : W 30 X H 80 CABLE DUCT
 - #5 : W 40 X H 80 CABLE DUCT
 - #6 : W 60 X H 80 CABLE DUCT
 - #7 : W 80 X H 80 CABLE DUCT

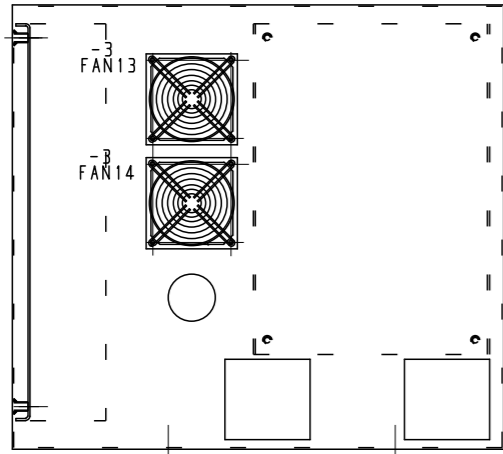


REV.		REV.		PRODUCT NO.	*** ***	TITLE	装置架内レイアウト LAYOUT DRAWING IN MACHINE	SH. NO.	
				NPC Incorporated		DWG. NO	18003587-02-LD	001	

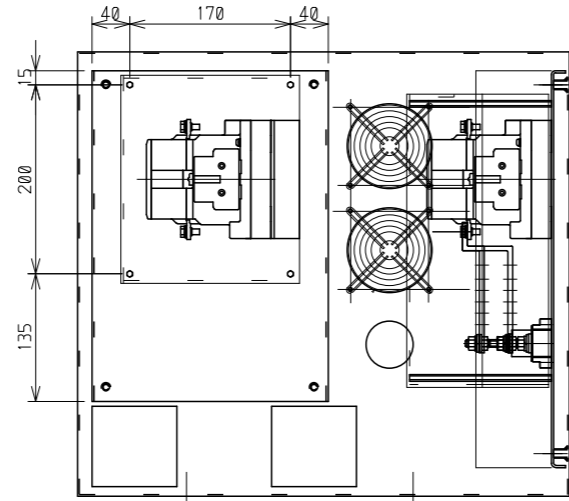


- (REMARK)
- #1 : W 30 X H 60 CABLE DUCT
 - #2 : W 40 X H 60 CABLE DUCT
 - #3 : W 60 X H 60 CABLE DUCT
 - #4 : W 30 X H 80 CABLE DUCT
 - #5 : W 40 X H 80 CABLE DUCT
 - #6 : W 60 X H 80 CABLE DUCT
 - #7 : W 80 X H 80 CABLE DUCT

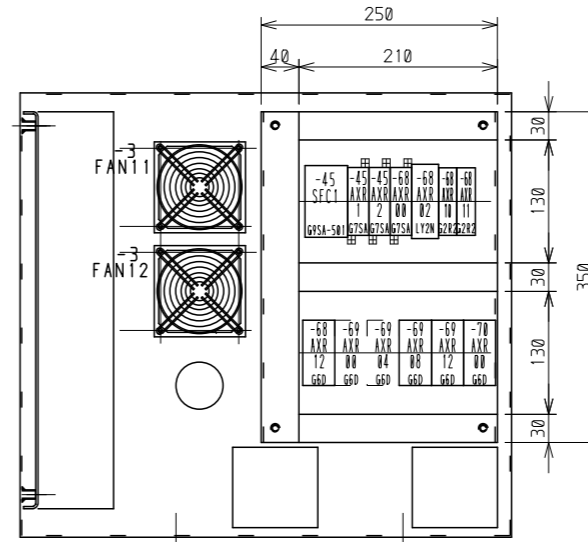
REV.	CSA電気安全審査における指摘点の変更 CHANGE FOR NOTED POINTS FOR CSA ELECTRIC SAFETY REVIEW					PRODUCT NO.	メイン制御BOX (BC-M) MAIN CONTROL BOX (BC-M)	TITLE	メイン制御BOX内部配置図 MAIN CONTROL BOX LAYOUT DRAWING	SH. NO.
						NPC Incorporated		DWG. NO	18003587-02-LD	002



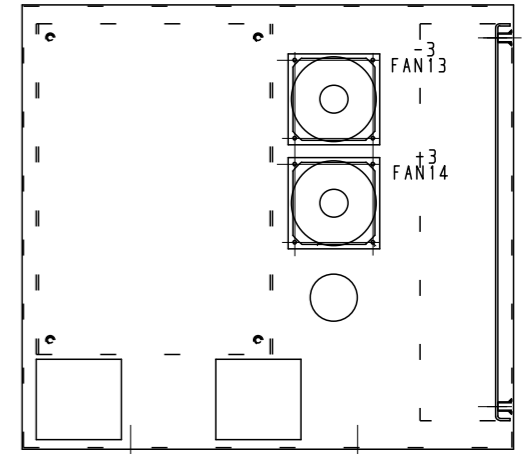
A矢視
A VIEW



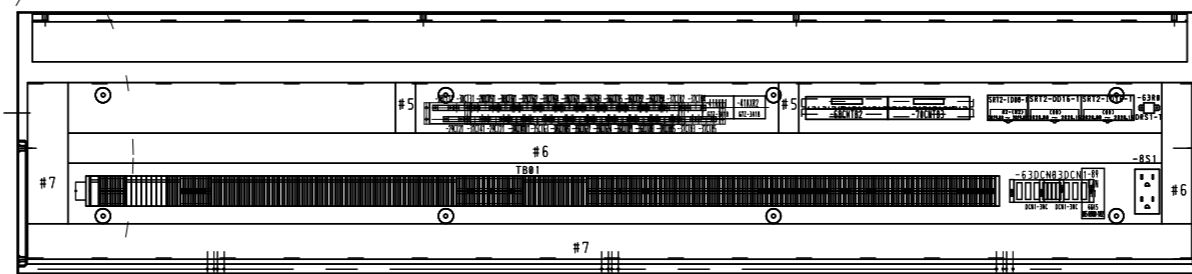
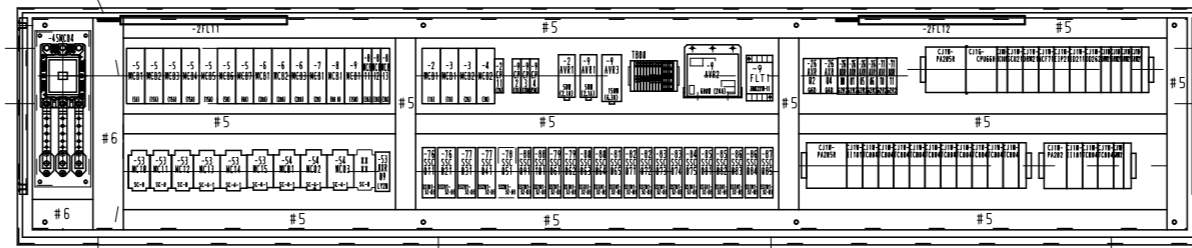
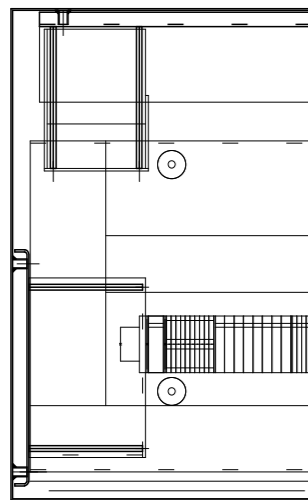
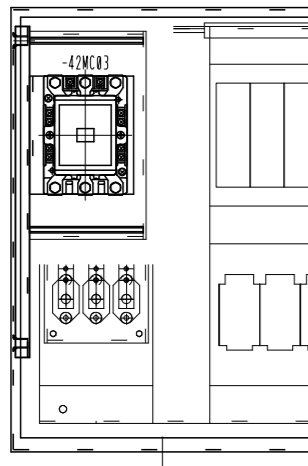
A' 矢視
A' VIEW



B' 矢視
B' VIEW



B矢視
B VIEW



(REMARK)

- #1 : W 30 X H 60 CABLE DUCT
- #2 : W 40 X H 60 CABLE DUCT
- #3 : W 60 X H 60 CABLE DUCT
- #4 : W 30 X H 80 CABLE DUCT
- #5 : W 40 X H 80 CABLE DUCT
- #6 : W 60 X H 80 CABLE DUCT
- #7 : W 80 X H 80 CABLE DUCT

PRODUCT NO.

メイン制御BOX (BC-M)
MAIN CONTROL BOX (BC-M)

TITLE

メイン制御BOX内部配置図
MAIN CONTROL BOX LAYOUT DRAWING

SH. NO.

REV.

REV.



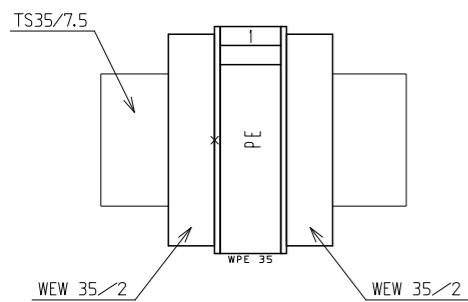
NPC Incorporated

DWG. NO

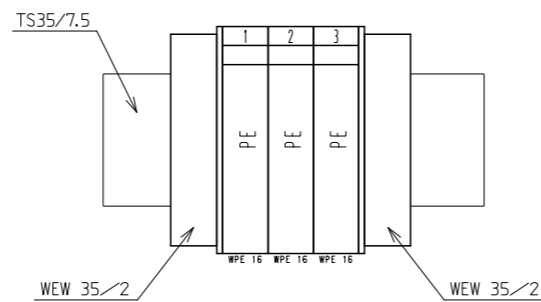
18003587-02-LD

003

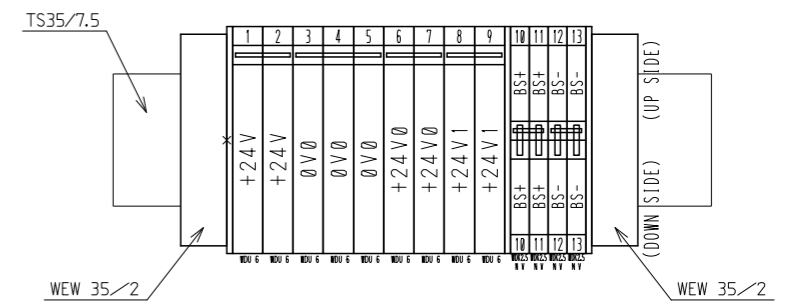
TB
 (Main Breaker Unit)
 WPE 35 (1P)



TBPE
 (Main Breaker Unit)
 WPE 35 (1P)



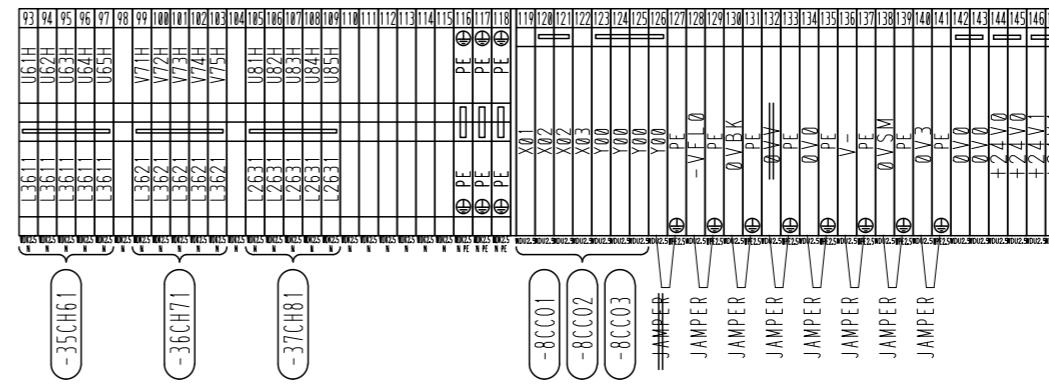
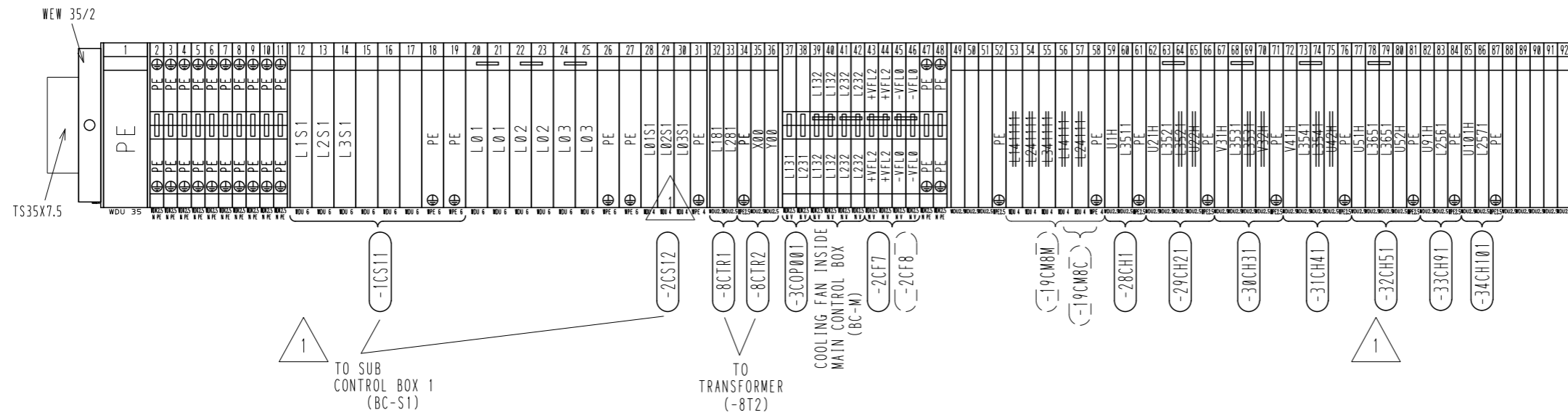
TB00
 WDK 2.5 NV (4P)
 WDU 6 (9P)



REV.								PRODUCT NO.	メイン制御BOX(BC-M) MAIN CONTROL BOX (BC-M)	TITLE	端子配置図(1/3). TERMINAL BLOCK LAYOUT DRAWING(1/3)	SH. NO.
										DWG. NO	18003587-02-LD	004

TB01

WPE 35 (1P)	WDU 4 (6P)	WDU 2.5 (93P)	WDK 2.5N (30P)
WDU 10 (6P)	WPE 4 (2P)	WPE 2.5 (30P)	WDK 2.5NV (6P)
WPE 10 (2P)			WDK 2.5NPE (15P)

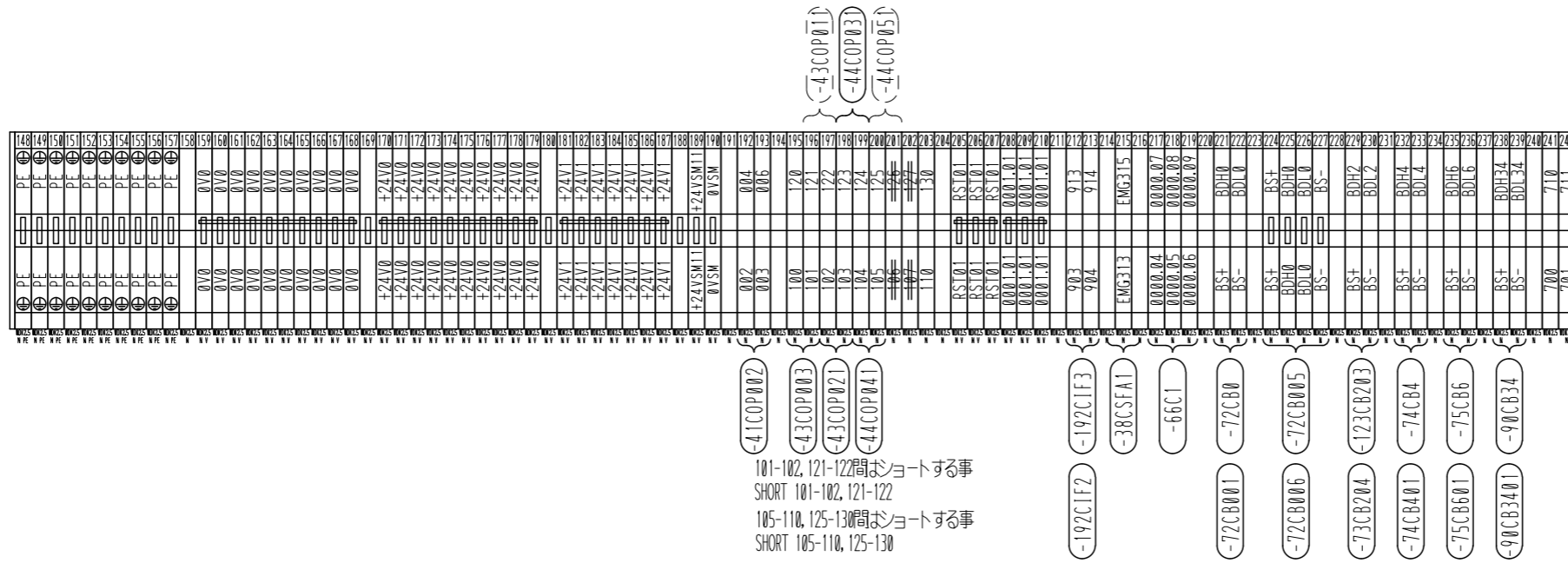


→ (A) TO THE NEXT PAGE

CSA電気安全審査における指摘点の変更 CHANGE FOR NOTED POINTS FOR CSA ELECTRIC SAFETY REVIEW					PRODUCT NO.	メイン制御BOX(BC-M) MAIN CONTROL BOX (BC-M)	TITLE	端子配置図(2/3). TERMINAL BLOCK LAYOUT DRAWING (2/3)	SH. NO.
REV.			REV.		NPC Incorporated		DWG. NO	18003587-02-LD	005

TB01

(A) →
FROM THE PREVIOUS PAGE

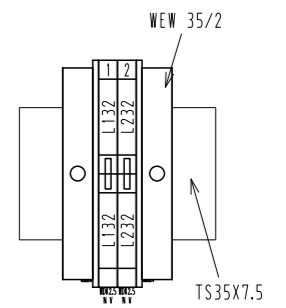
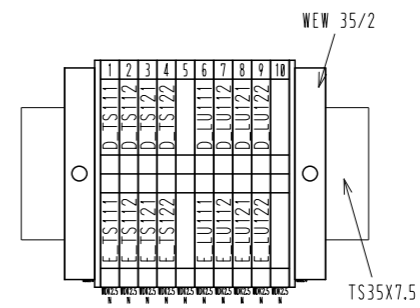
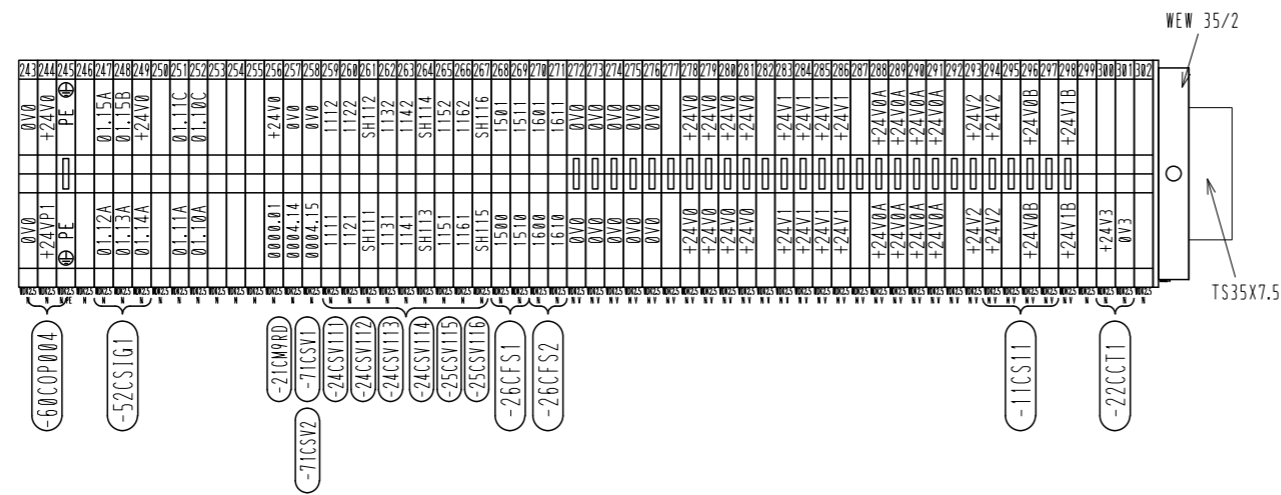


TB01A

WDK 2.5N (10P)

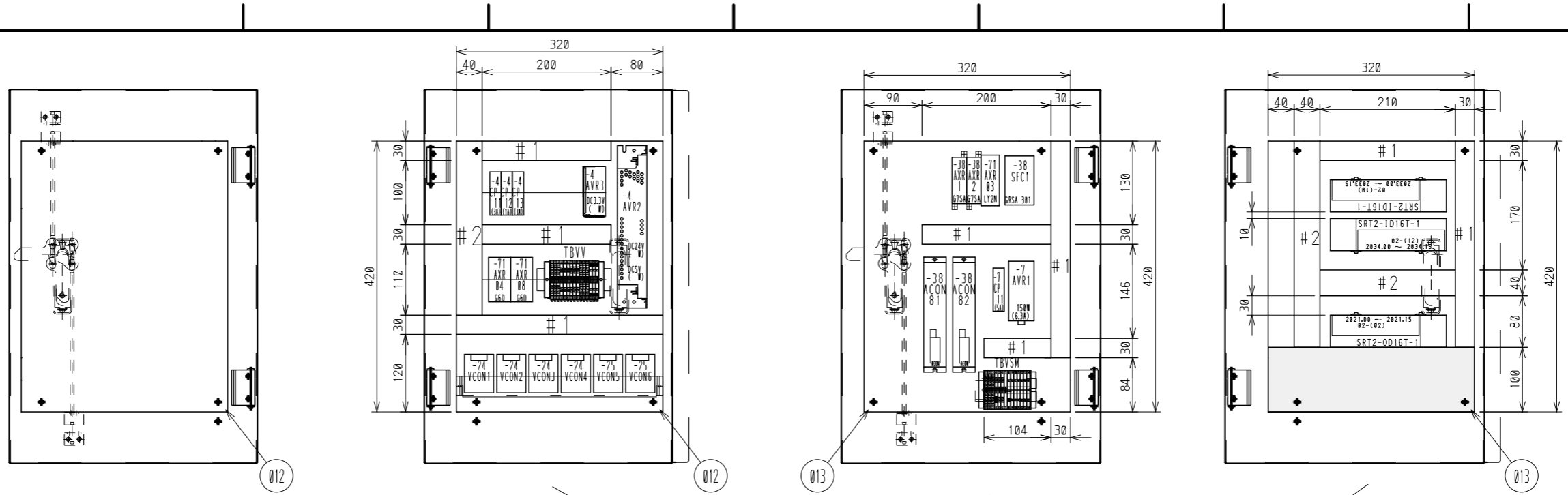
TBF

WDK 2.5NV (2P)



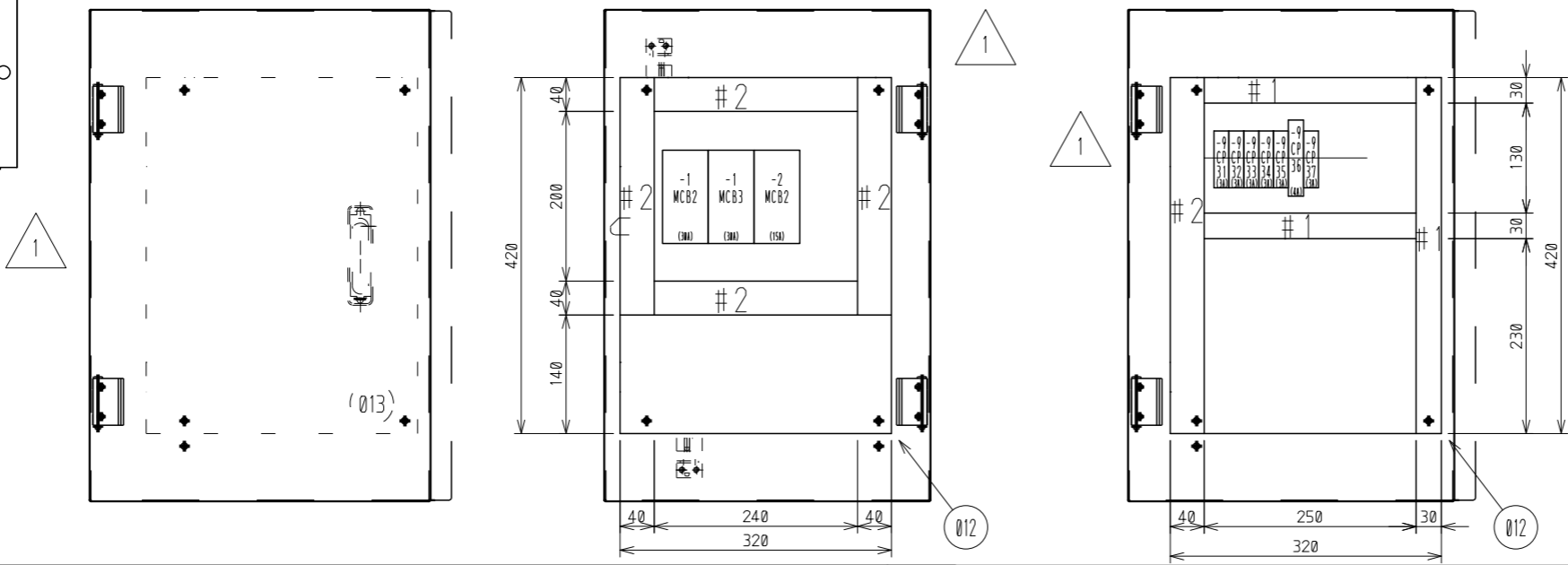
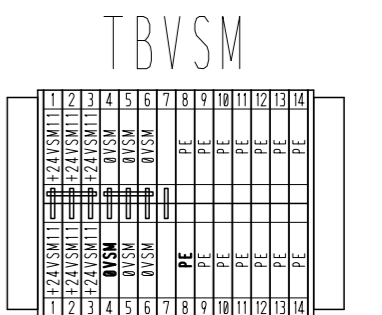
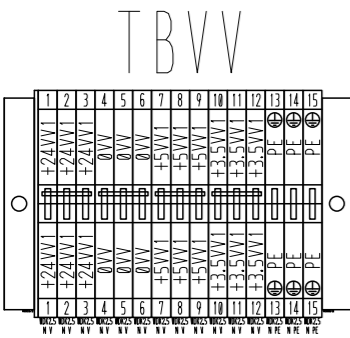
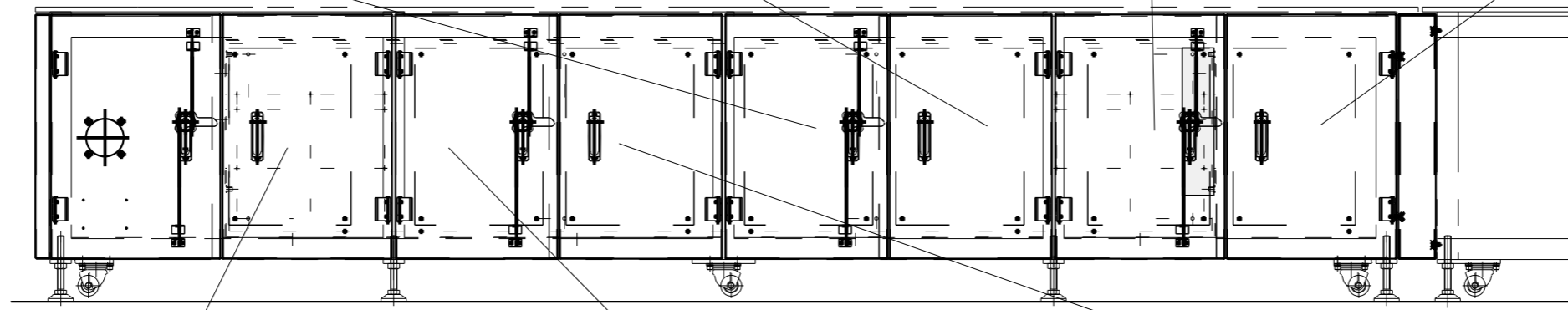
REV.		REV.		PRODUCT NO.	メイン制御BOX (BC-M) MAIN CONTROL BOX (BC-M)	TITLE	端子配置図(3/3). TERMINAL BLOCK LAYOUT DRAWING (3/3)	SH. NO.
						DWG. NO	18003587-02-LD	006





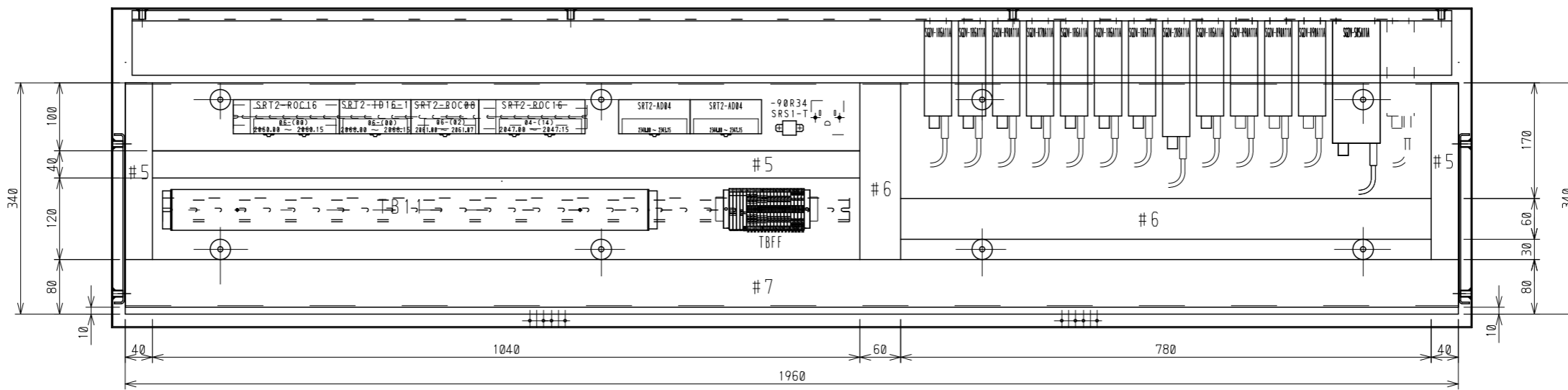
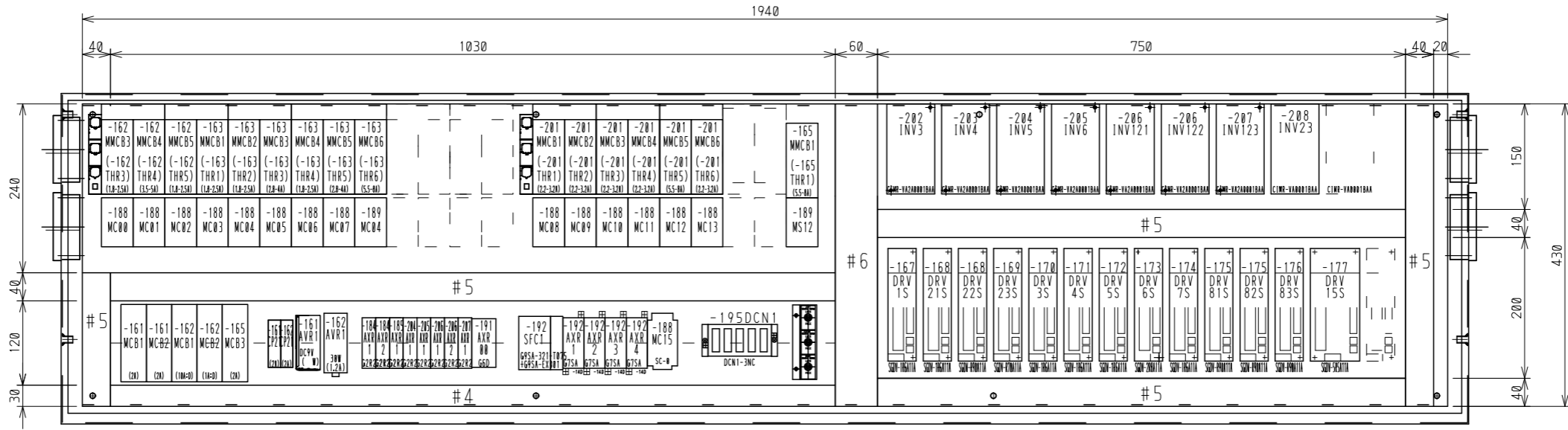
TBVV
WDK 2.5NV (12P)
WDK 2.5NPE (3P)

TBVSM
WDK 2.5NV (7P)
WDK 2.5NPE (7P)



- (REMARK)
- #1 : W 30 X H 60 CABLE DUCT
 - #2 : W 40 X H 60 CABLE DUCT
 - #3 : W 60 X H 60 CABLE DUCT
 - #4 : W 30 X H 80 CABLE DUCT
 - #5 : W 40 X H 80 CABLE DUCT
 - #6 : W 60 X H 80 CABLE DUCT
 - #7 : W 80 X H 80 CABLE DUCT

REV.	CSA電気安全審査における指摘点の変更 CHANGE FOR NOTED POINTS FOR CSA ELECTRIC SAFETY REVIEW	REV.	PRODUCT NO.	メイン制御BOX (BC-M) MAIN CONTROL BOX (BC-M)	TITLE	メイン制御BOX 部品配置図 MAIN CONTROL BOX LAYOUT DRAWING	SH. NO.
			NPC Incorporated		DWG. NO	18003587-02-LD 007	



(REMARK)

- #1 : W 30 X H 60 CABLE DUCT
- #2 : W 40 X H 60 CABLE DUCT
- #3 : W 60 X H 60 CABLE DUCT
- #4 : W 30 X H 80 CABLE DUCT
- #5 : W 40 X H 80 CABLE DUCT
- #6 : W 60 X H 80 CABLE DUCT
- #7 : W 80 X H 80 CABLE DUCT

PRODUCT NO.

サブ制御BOX(BC-S)
SUB CONTROL BOX (BC-S)

TITLE

BOX 内部配置図
SUB CONTROL BOX LAYOUT DRAWING

SH. NO.

REV.

REV.

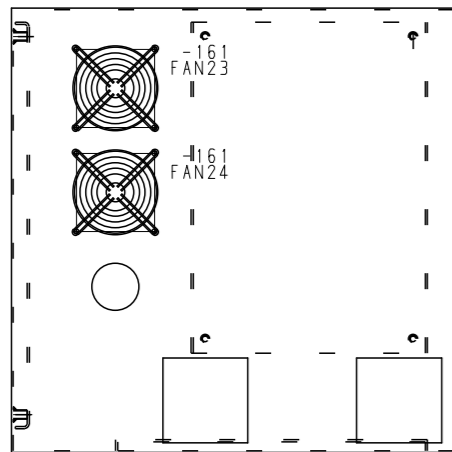


NPC Incorporated

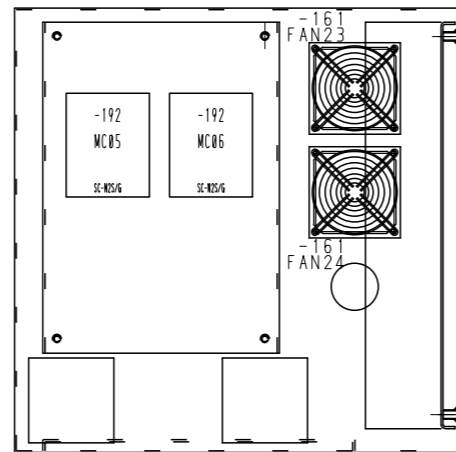
DWG. NO

18003587-02-LD

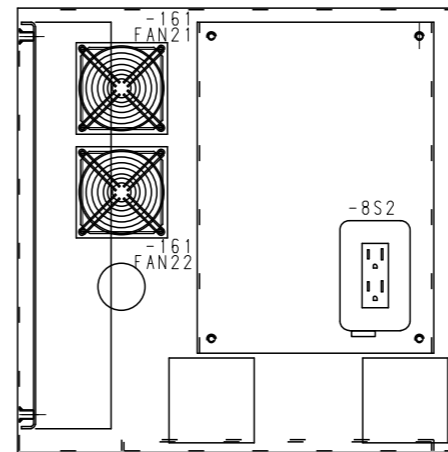
101



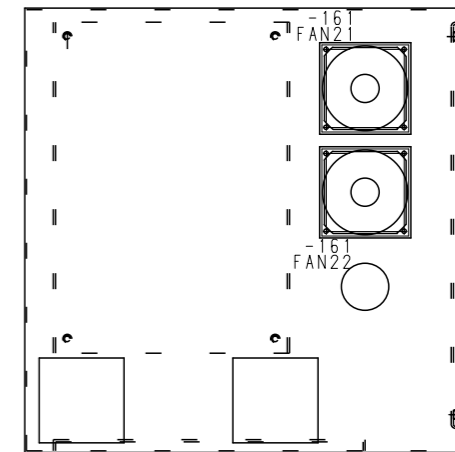
A 矢視
A VIEW



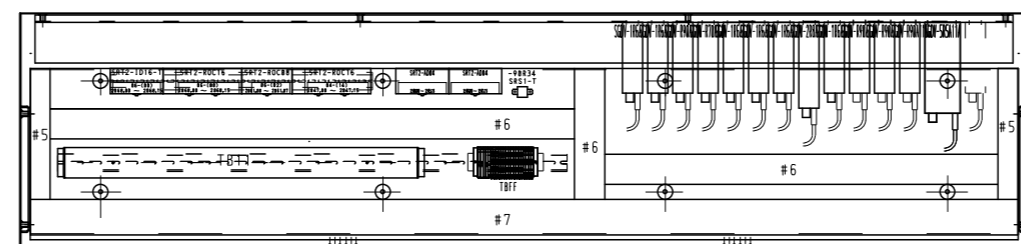
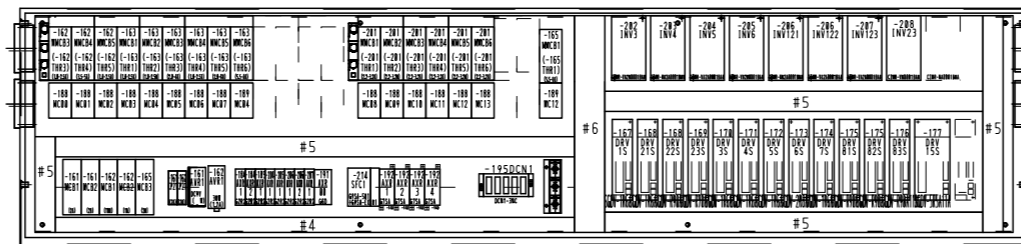
A' 矢視
A' VIEW



B' 矢視
B' VIEW



B 矢視
B VIEW



A

B

A'

B'

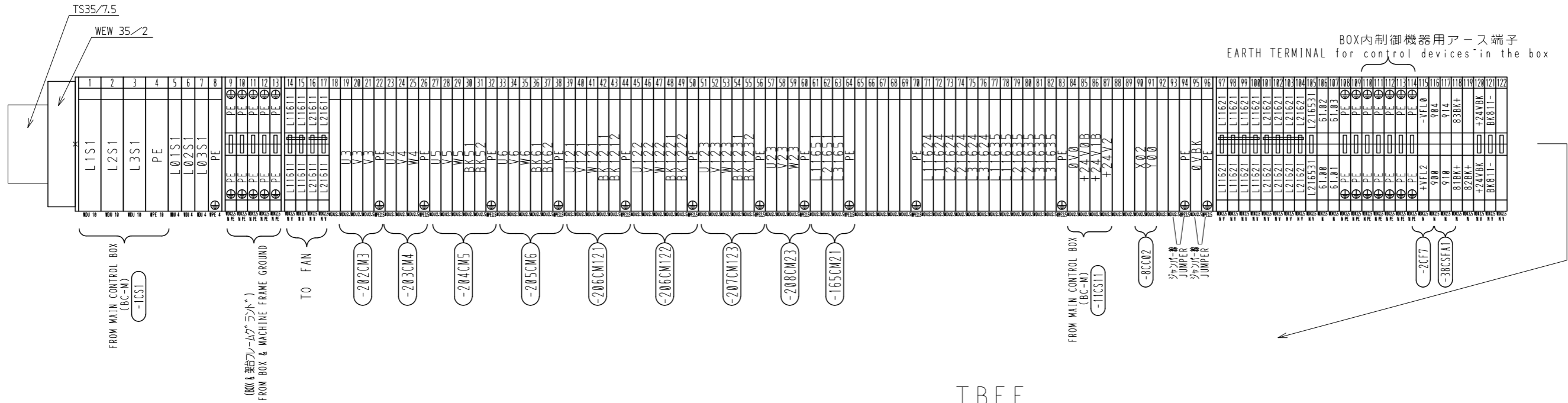
(REMARK)

- #1 : W 30 X H 60 CABLE DUCT
- #2 : W 40 X H 60 CABLE DUCT
- #3 : W 60 X H 60 CABLE DUCT
- #4 : W 30 X H 80 CABLE DUCT
- #5 : W 40 X H 80 CABLE DUCT
- #6 : W 60 X H 80 CABLE DUCT
- #7 : W 80 X H 80 CABLE DUCT

REV.						PRODUCT NO.	サブ制御BOX(BC-S) SUB CONTROL BOX (BC-S)	TITLE	BOX 内部配置図 SUB CONTROL BOX LAYOUT DRAWING	SH. NO.
						NPC Incorporated		DWG. NO	18003587-02-LD	102

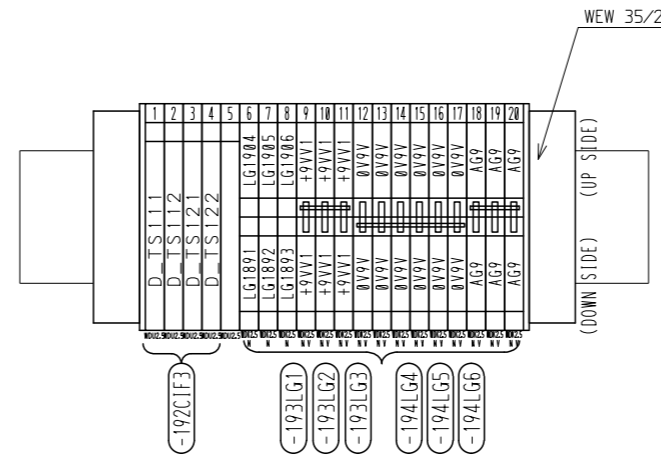
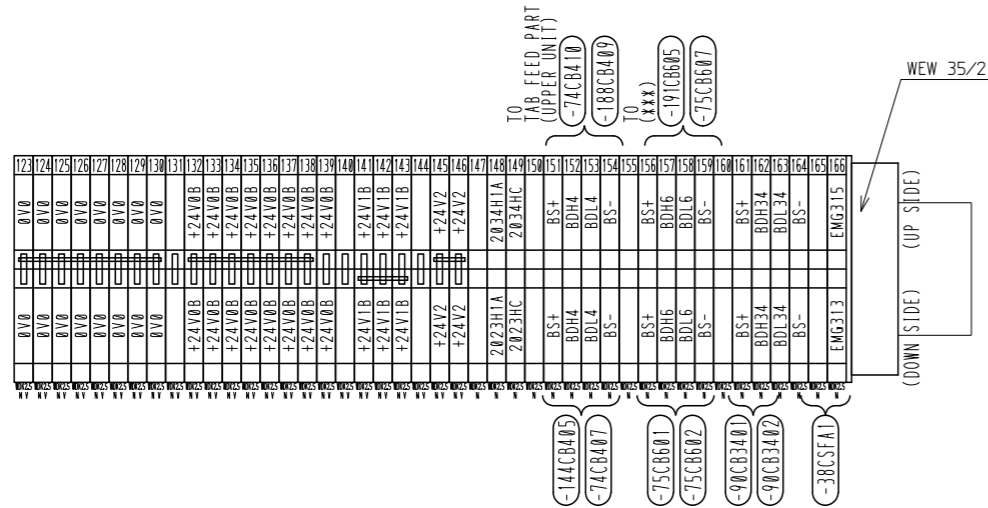
TB11

WDU 10 (3P)	WPE 10 (1P)	WDK 2.5N (27P)
WDU 4 (3P)	WPE 4 (1P)	WDK 2.5NV (40P)
WDU 2.5 (66P)	WPE 2.5 (13P)	WDK 2.5NPE (12P)

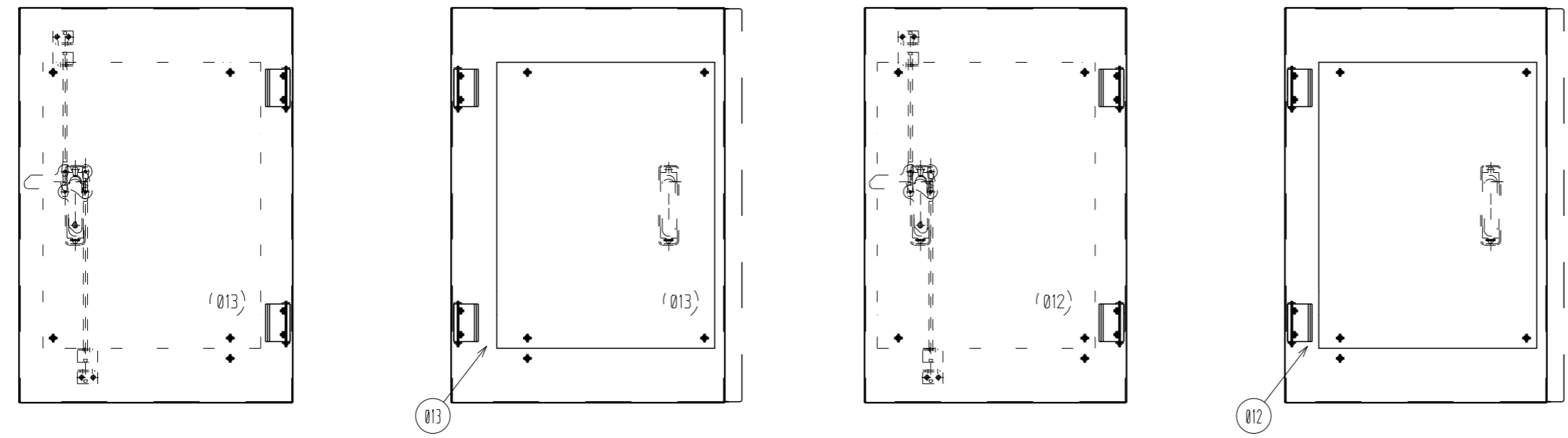
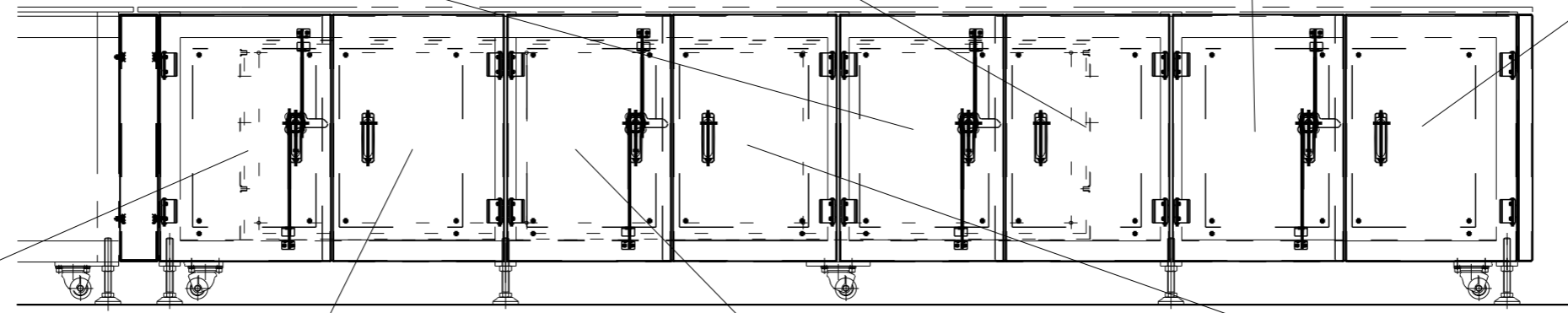
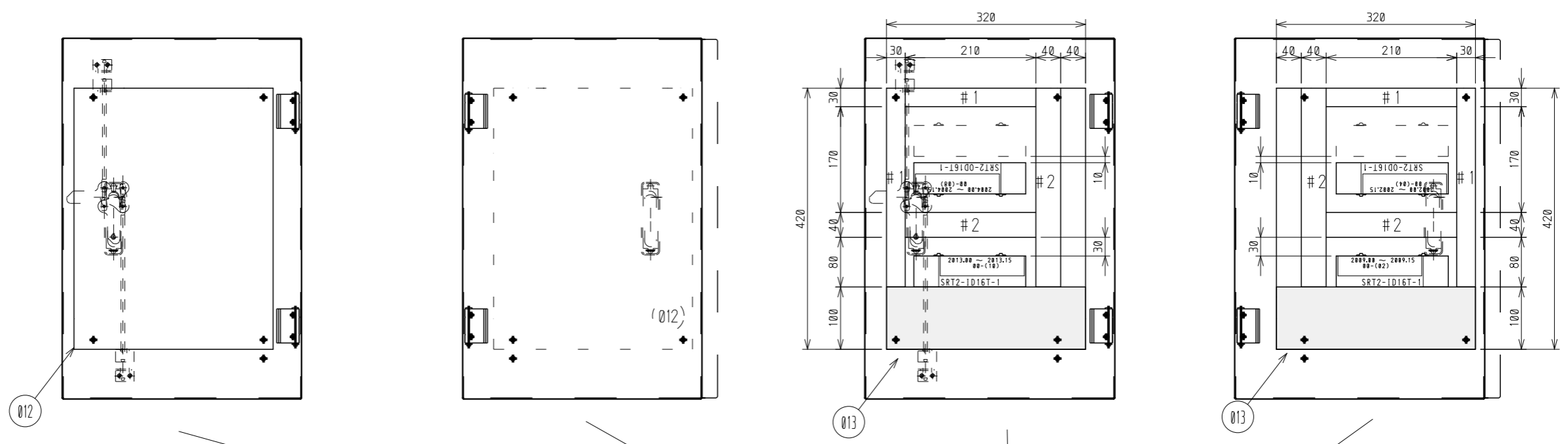


TBFF

WDU 2.5 (5P)
WDK 2.5N (3P)
WDK 2.5NV (12P)

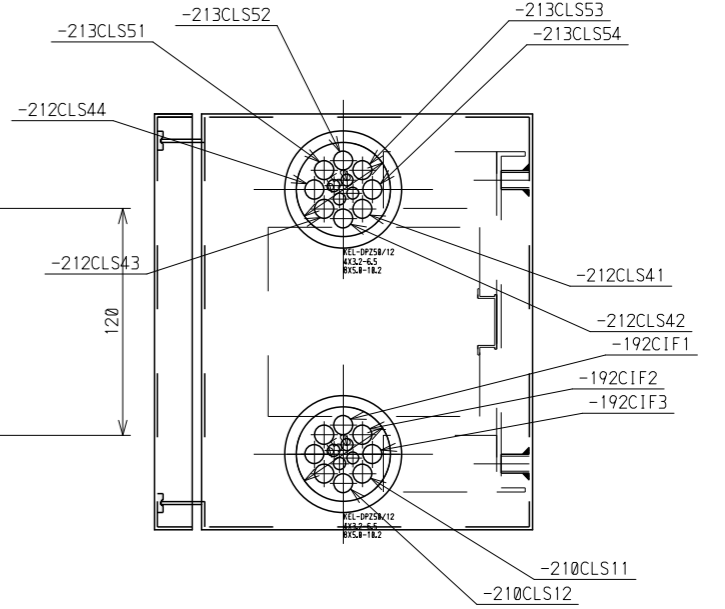
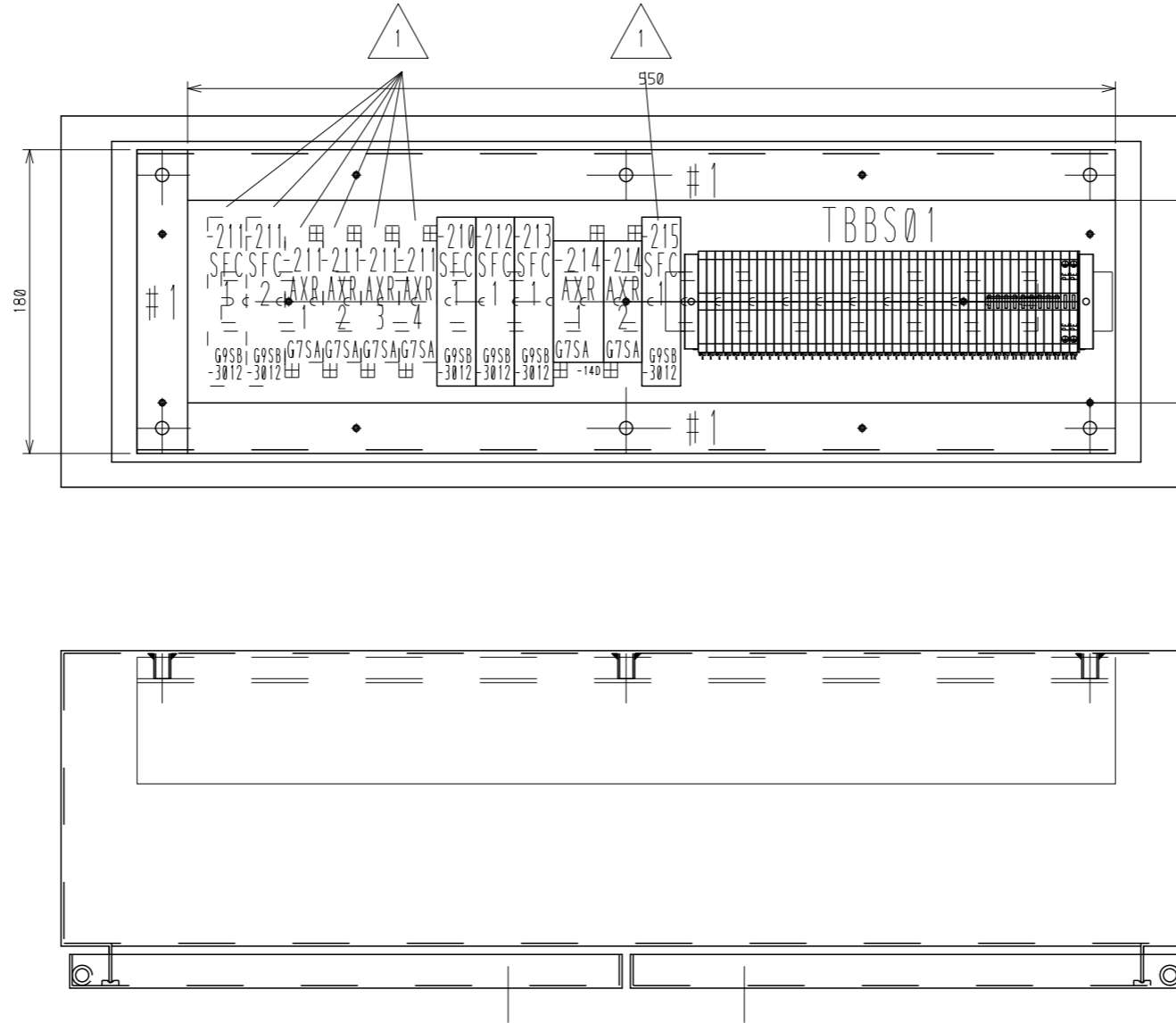
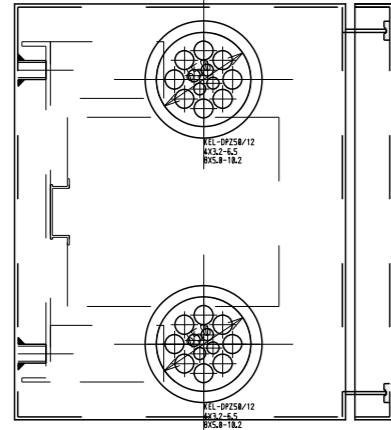


REV.		REV.	PRODUCT NO.	サ制御BOX1(BC-S1) SUB CONTROL BOX 1(BC-S1)	TITLE	端子配置図(1/1). TERMINAL BLOCK LAYOUT DRAWING(1/1)	SH. NO.
			NPC Incorporated		DWG. NO	18003587-02-LD	103



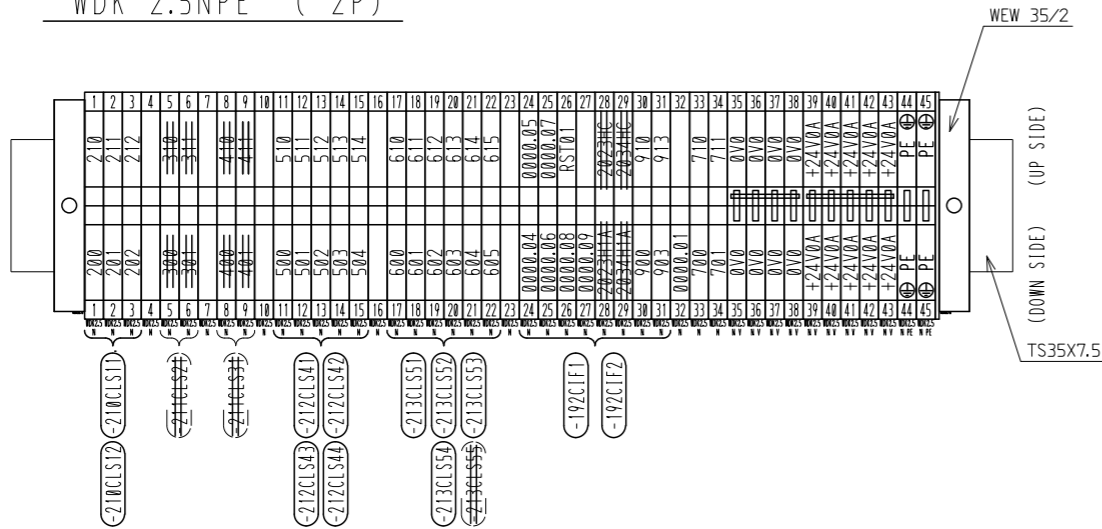
- (REMARK)
- #1 : W 30 X H 60 CABLE DUCT
 - #2 : W 40 X H 60 CABLE DUCT
 - #3 : W 60 X H 60 CABLE DUCT
 - #4 : W 30 X H 80 CABLE DUCT
 - #5 : W 40 X H 80 CABLE DUCT
 - #6 : W 60 X H 80 CABLE DUCT
 - #7 : W 80 X H 80 CABLE DUCT

REV.						PRODUCT NO.	サブ制御BOX1(BC-S1) SUB CONTROL BOX 1(BC-S1)	TITLE	サブ制御BOX SUB CONTROL BOX LAYOUT DRAWING	SH. NO.	
								DWG. NO	18003587-02-LD	104	



TBBS01

WDK 2.5N (34P)
WDK 2.5NV (9P)
WDK 2.5NPE (2P)



(REMARK)

#1 : W 30 X H 60 CABLE DUCT

△ CSA電気安全審査における指摘点の変更 CHANGE FOR NOTED POINTS FOR CSA ELECTRIC SAFETY REVIEW							
						PRODUCT NO.	セーフティ BOX (BS-01) SAFETY BOX (BS-01)
						TITLE	セーフティ BOX 内部配置図 SAFETY BOX LAYOUT DRAWING
						SH. NO.	
REV.		REV.				DWG. NO	18003587-02-LD
							105

A

B

C

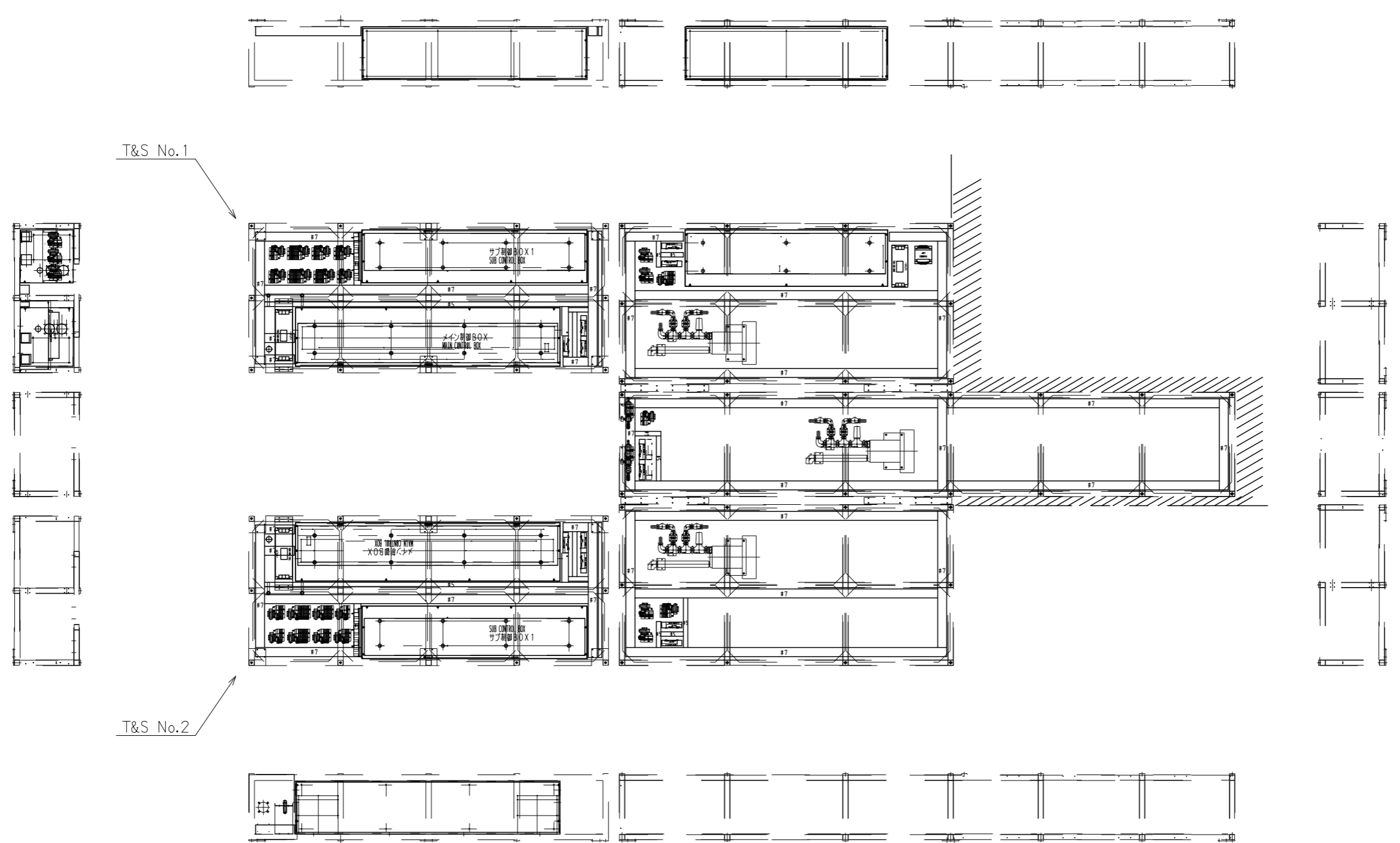
D

E

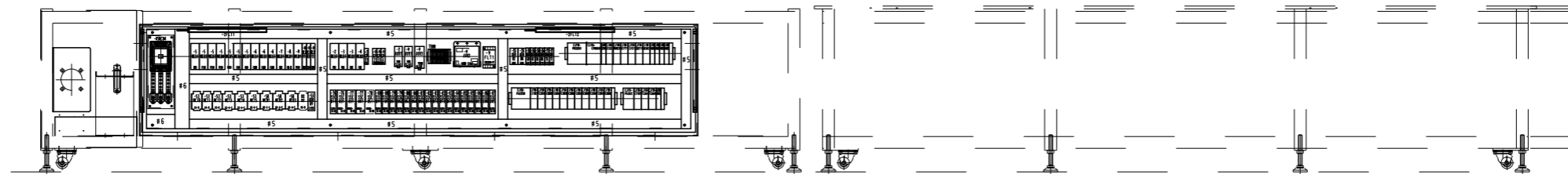
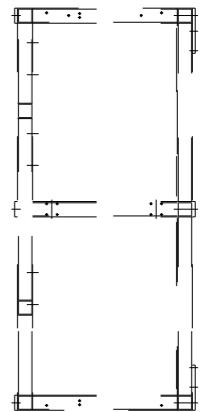
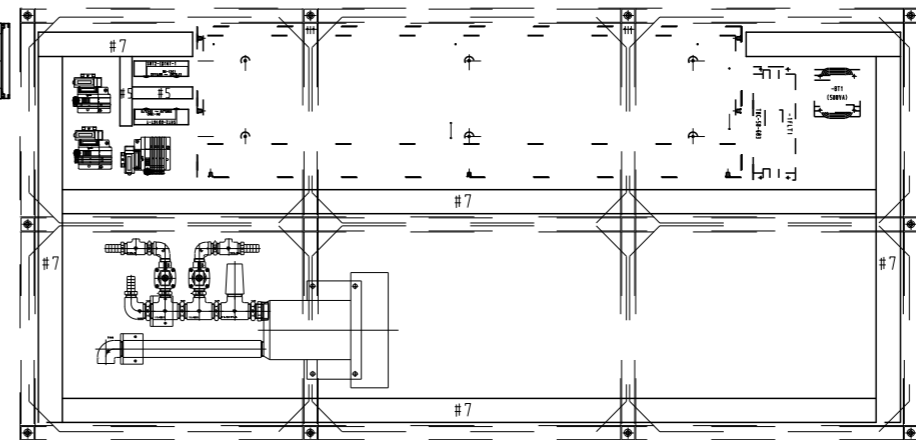
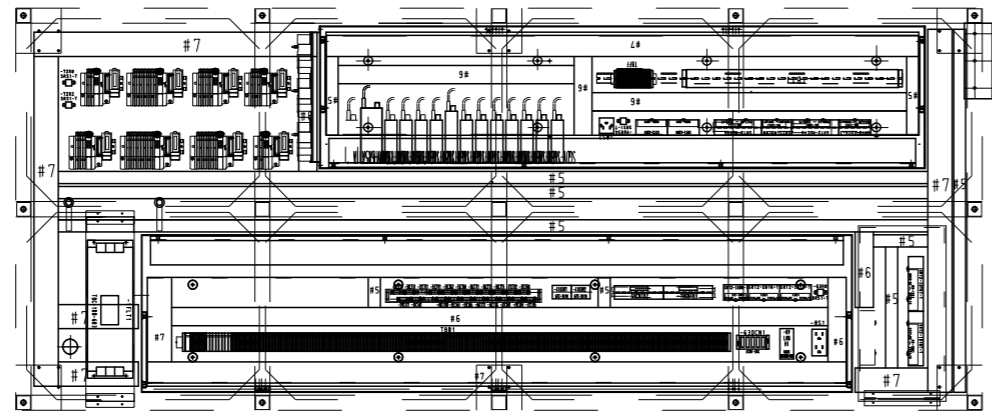
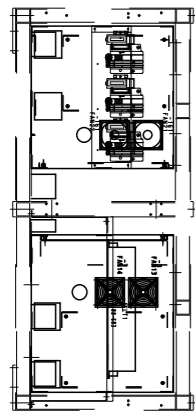
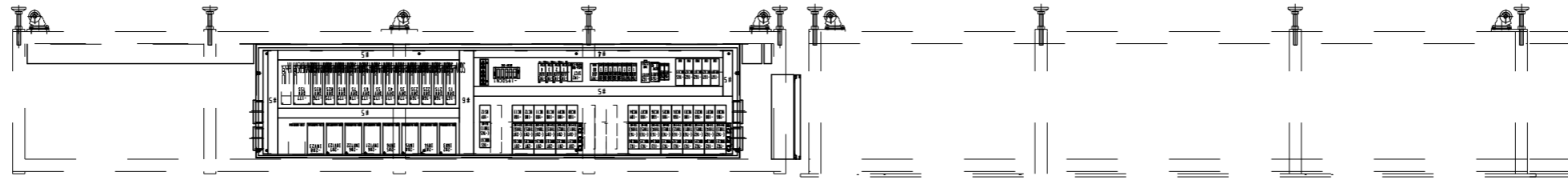
F

G

H



REV.							PRODUCT NO.	全体レイアウト WHOLE LAYOUT	TITLE	タフトレイアップ 架台レイアウト TRESTLE PARTS LAYOUT (1/1)	SH. NO.
								NPC Incorporated	DWG. NO	18003587-02-OD	001



(REMARK)

- #1 : W 30 X H 60 CABLE DUCT
- #2 : W 40 X H 60 CABLE DUCT
- #3 : W 60 X H 60 CABLE DUCT
- #4 : W 30 X H 80 CABLE DUCT
- #5 : W 40 X H 80 CABLE DUCT
- #6 : W 60 X H 80 CABLE DUCT
- #7 : W 80 X H 80 CABLE DUCT

PRODUCT NO.

架台上
ON TRESTLE

TITLE

架台下部配置図
TRESTLE PARTS LAYOUT (1/1)

SH. NO.

REV.

REV.

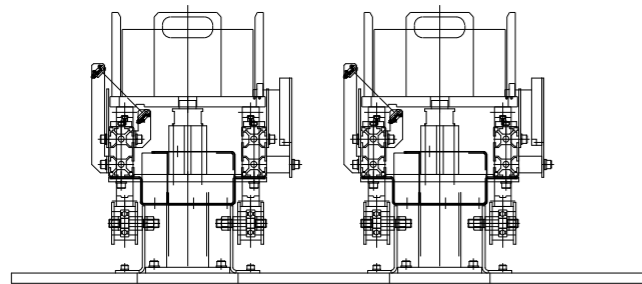
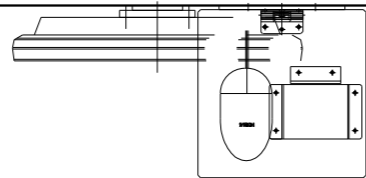
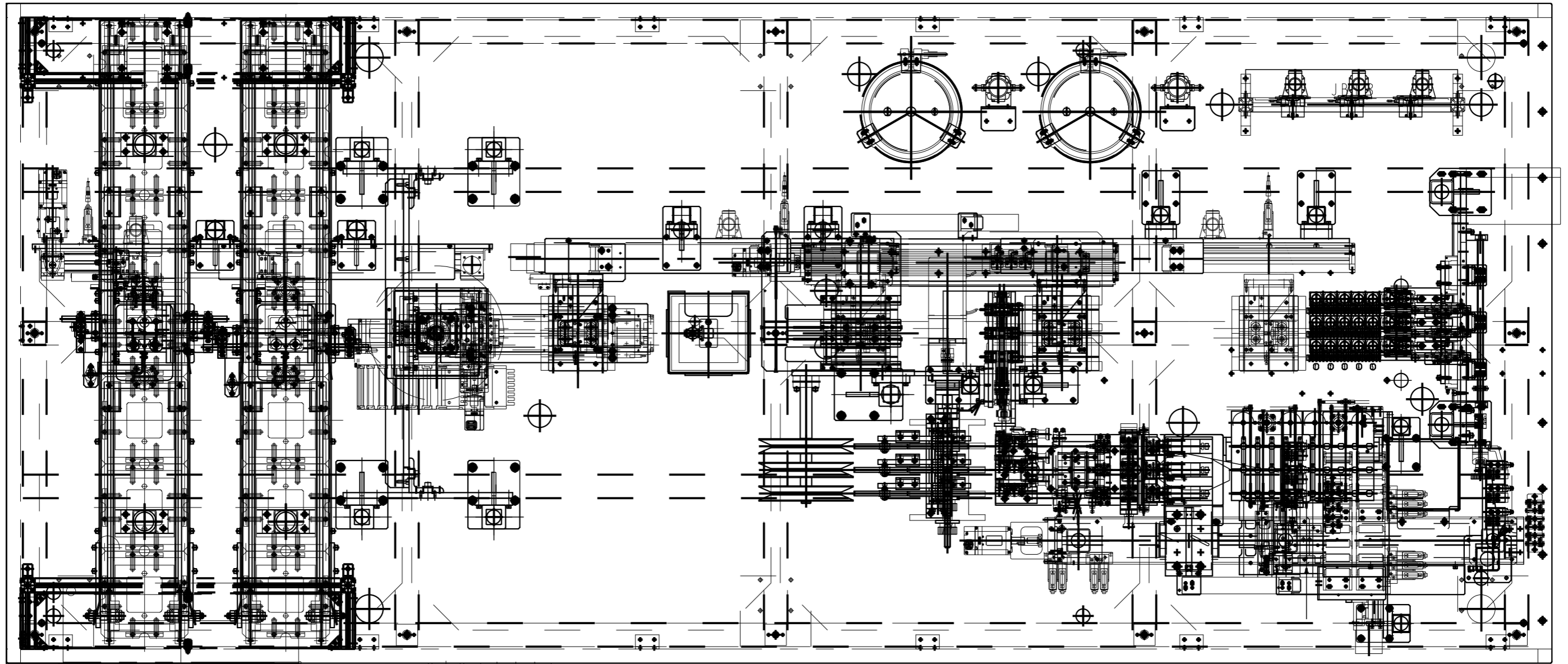


NPC Incorporated

DWG. NO

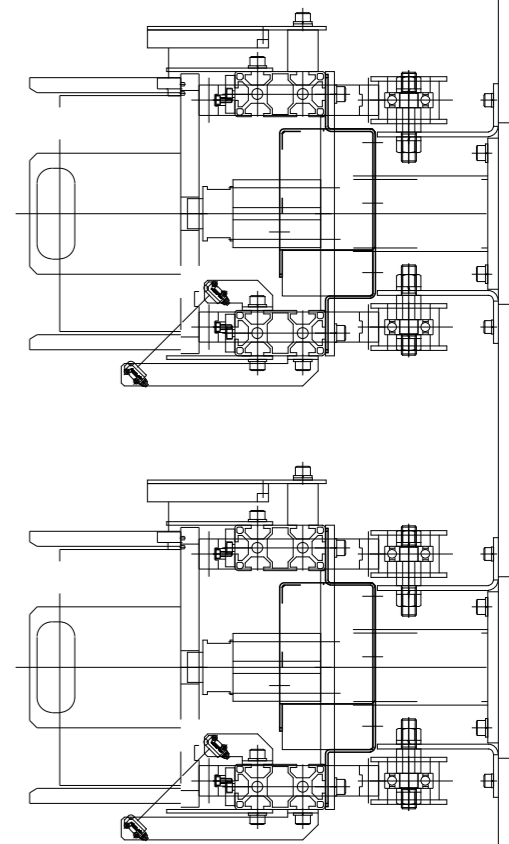
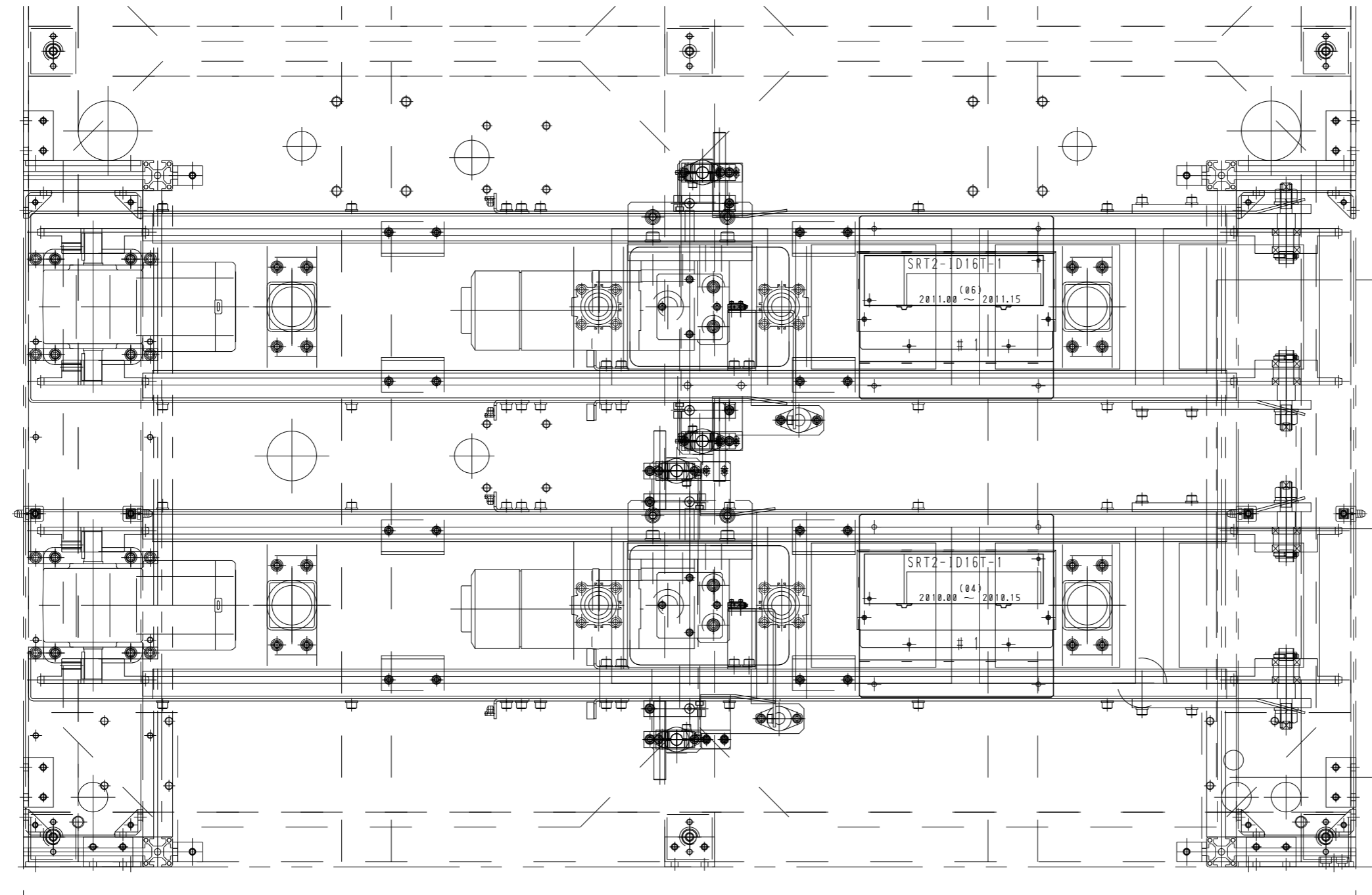
18003587-02-OD

003



- (REMARK)
- #1 : W 30 X H 60 CABLE DUCT
 - #2 : W 40 X H 60 CABLE DUCT
 - #3 : W 60 X H 60 CABLE DUCT
 - #4 : W 30 X H 80 CABLE DUCT
 - #5 : W 40 X H 80 CABLE DUCT
 - #6 : W 60 X H 80 CABLE DUCT
 - #7 : W 80 X H 80 CABLE DUCT

REV.		PRODUCT NO.	架上 ON TRESTLE	TITLE	架上部品配置图 TRESTLE PARTS LAYOUT (1/1)	SH. NO.
REV.		NPC Incorporated		DWG. NO	18003587-02-OD	004



REV.				REV.				PRODUCT NO.	架上 ON TRESTLE	TITLE	セル投入移載1ヘッド部中継BOX(JBH13, 14) CELL PREHEAT TRANSFER 1 HEAD UNIT JUNCTION BOX(JBH13, 14)	SH. NO.
								NPC Incorporated		DWG. NO	18003587-02-OD	005

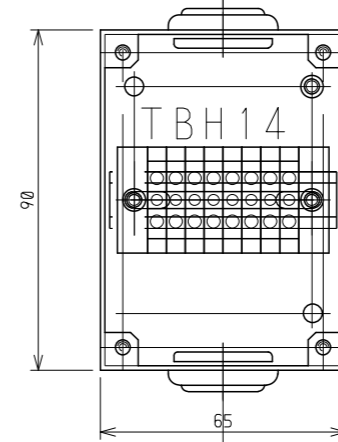
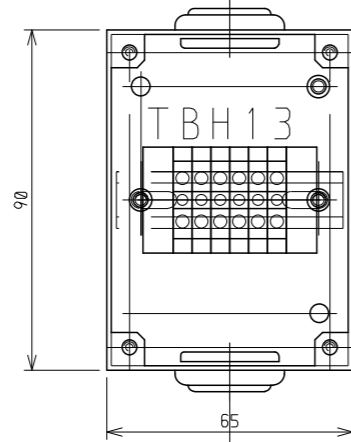
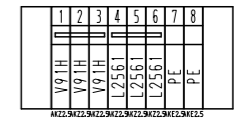
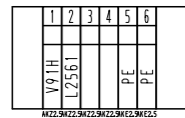
JBH13
セル搬入移載1 ヘッド 固定部
CELL TRANSFER 1 HEAD FIXED PART

JBH14
セル搬入移載1 ヘッド 部
CELL TRANSFER 1 HEAD UNIT

CABLEVEYOR
ケーブルレール
3 G 1.5
可動ケーブル
MOVABLE CABLE
(-33CH91)

TBH13
AKZ 2.5 (5P)
AKE 2.5 (2P)

TBH14
AKZ 2.5 (6P)
AKE 2.5 (2P)



(-33CH91)
制御BOXへ
TO CONTROL BOX

ヒーターへ
TO HEATER

PRODUCT NO.

架台上
ON TRESTLE

TITLE

セル投入移載1ヘッド部中継BOX (JBH13, 14)
CELL PREHEAT TRANSFER 1 HEAD UNIT
JUNCTION BOX (JBH13, 14)

SH. NO.

REV.

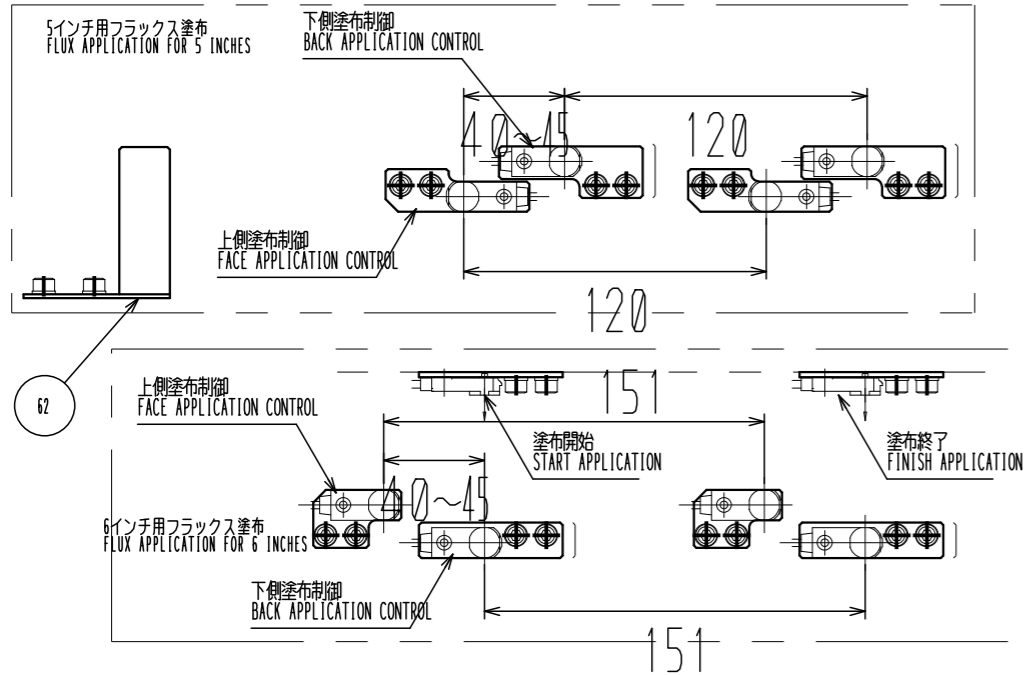
REV.

NPC Incorporated

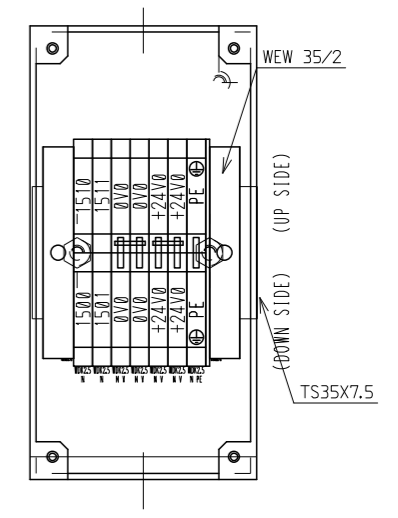
DWG. NO

18003587-02-OD

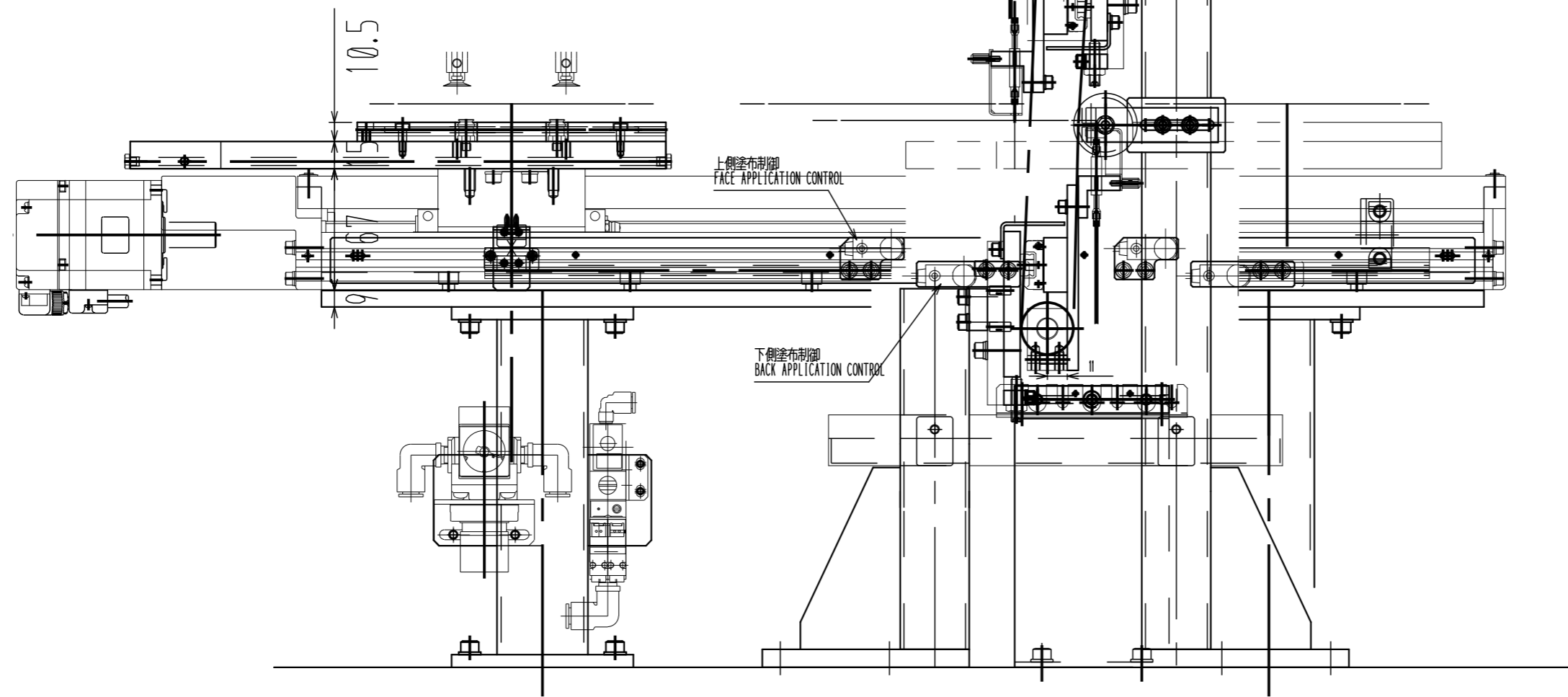
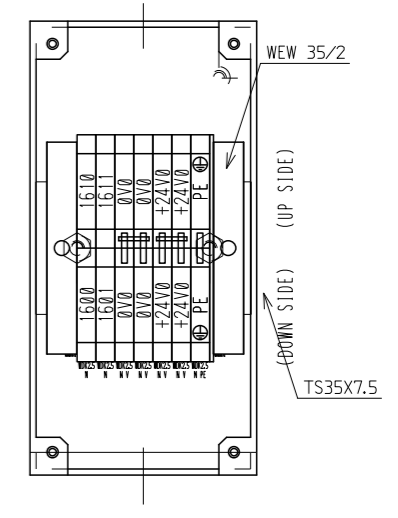
006



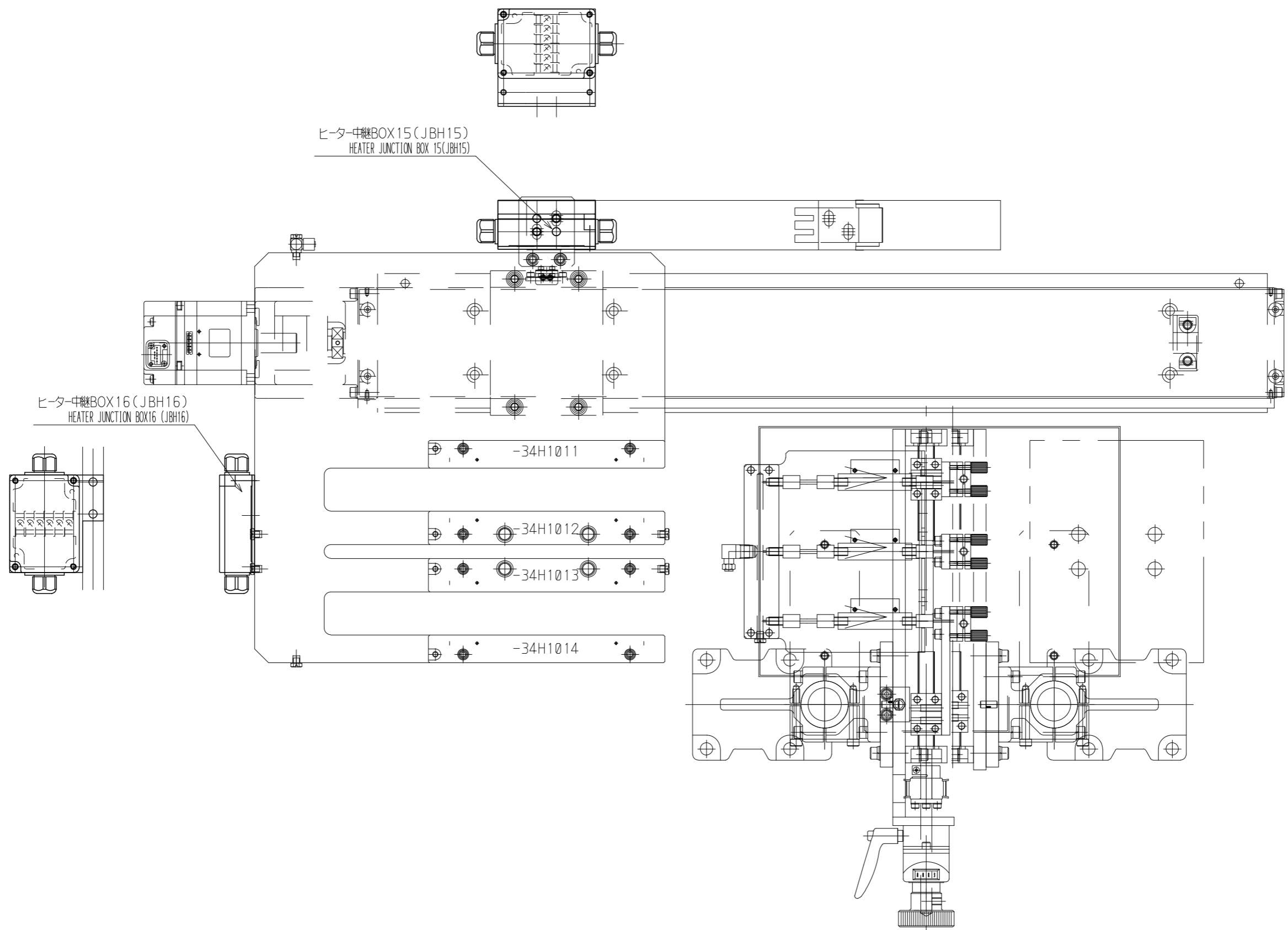
TBFS1
 WDK 2.5N (2P)
 WDK 2.5NV (4P)
 WDK 2.5NPE (1P)



TBFS2
 WDK 2.5N (2P)
 WDK 2.5NV (4P)
 WDK 2.5NPE (1P)



REV.		REV.		PRODUCT NO.	架上 ON TRESTLE	TITLE	フラックステーブルヒーター中継BOX 配置図 (JBH15, 16) FLUX TABLE HEATER JUNCTION BOX (JBH15, 16) LAYOUT	SH. NO.
				NPC Incorporated		DWG. NO	18003587-02-OD	007

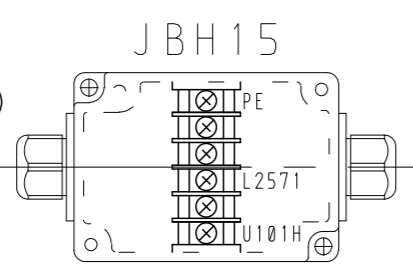


▲				▲				PRODUCT NO.	架上 ON TRESTLE	TITLE	フラックステーブルヒーター中継BOX 配置図 (JBH15, 16) FLUX TABLE HEATER JUNCTION BOX (JBH15, 16)	SH. NO.
▲				▲				NPC Incorporated	DWG. NO	18003587-02-OD	007	
REV.	▲			REV.	▲							

JBH15
 フラックステーブル 固定部
 FLUX TABLE FIXED PART

制御BOXへ
 TO CONTROL BOX

-34CH101



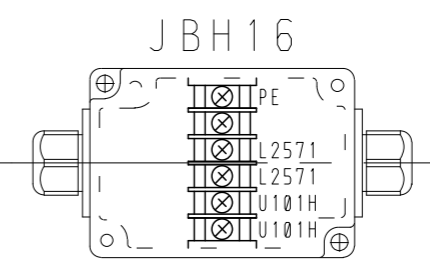
ケーブルヘア
 CABLEVEYOR

3 G 1.5
 可動ケーブル
 MOVABLE CABLE

-34CH1011

JBH16
 フラックステーブル ヘッド部
 FLUX TABLE HEAD UNIT

ヒーターへ
 TO HEATER



REV.								PRODUCT NO.	架台上 ON TRESTLE	TITLE	フラックステーブルヒーター中継BOX 詳細図 (JBH15, 16) FLUX TABLE HEATER JUNCTION BOX (JBH15,16) DETAIL DRAWING	SH. NO.
								NPC Incorporated		DWG. NO	18003587-02-OD	008

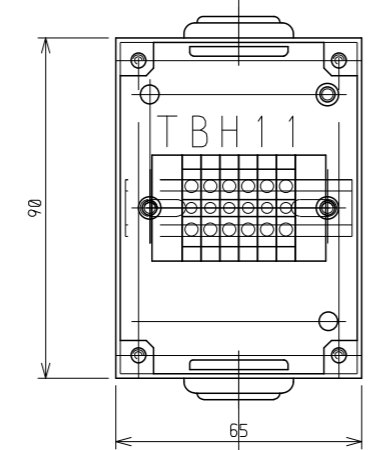
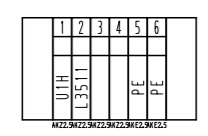
JBH11
セル搬入移載ヘッド固定部
CELL TRANSFER HEAD FIXED PART

CABLEVEYOR
ケーブルヘッダ

JBH12
セル搬入移載ヘッド部
CELL HEATING TRANSFER HEAD

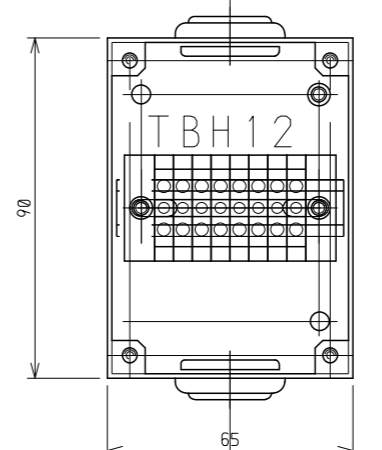
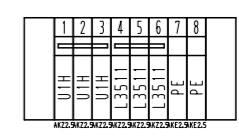
3 G 1.5
可動ケーブル
MOVABLE CABLE
-28CH11

TBH11
AKZ 2.5 (5P)
AKE 2.5 (2P)



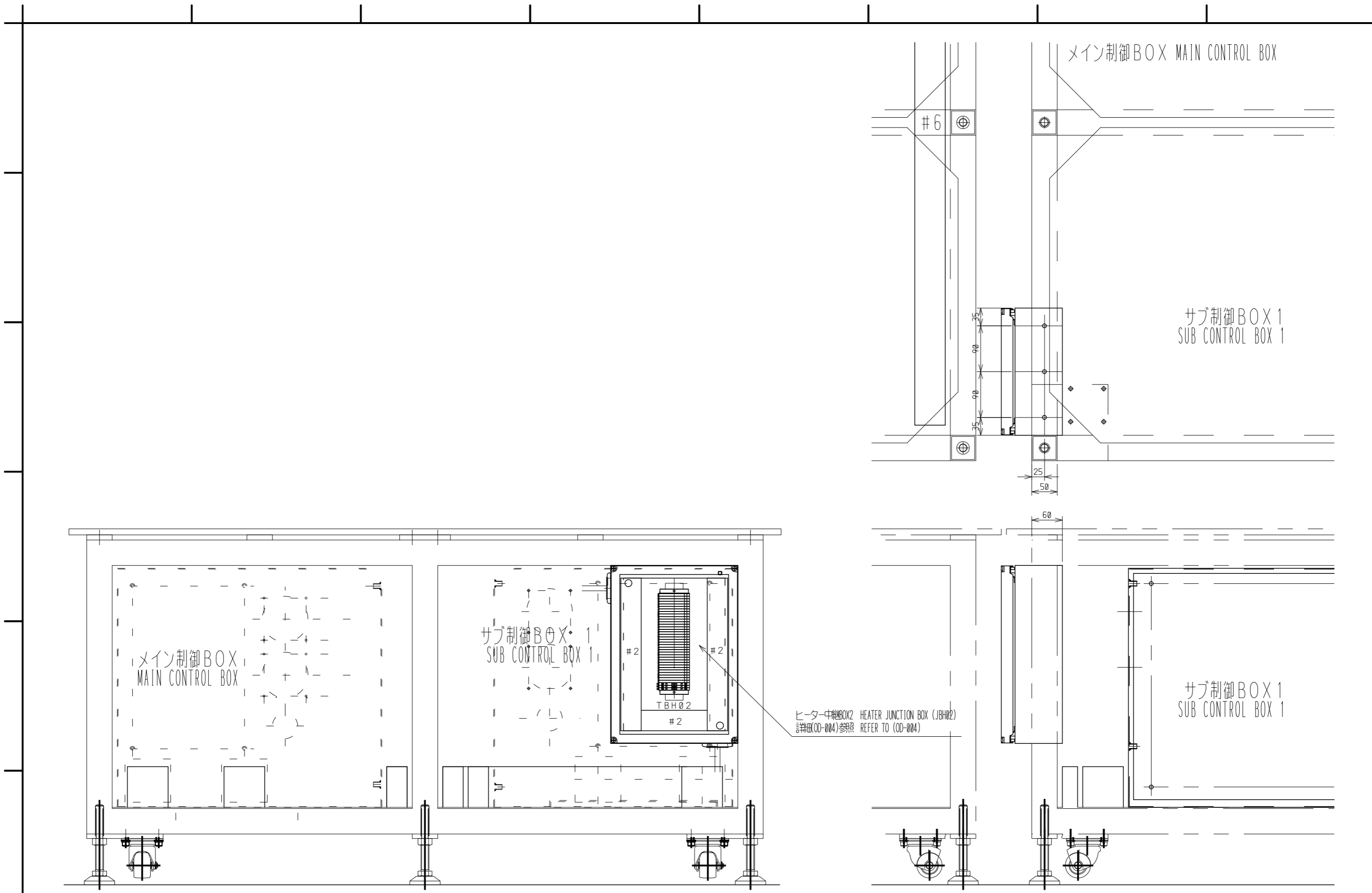
-28CH1
制御BOXへ
TO CONTROL BOX

TBH12
AKZ 2.5 (6P)
AKE 2.5 (2P)



ヒーターへ
TO HEATER

REV.								PRODUCT NO.	架台上 ON TRESTLE	TITLE	セル投入移載2ヘッド部中継BOX (JBH11, 12) CELL TRANSFER 2 HEAD UNIT JUNCTION BOX (JBH11, 12)	SH. NO.
								NPC Incorporated		DWG. NO	18003587-02-OD	009



REV.						PRODUCT NO.	架台下 INSIDE TRESTLE	TITLE	コンベヤヒーター部中継BOX 配置図 (JBH02). CONVEYOR HEATER JUNCTION BOX JBH02	SH. NO.
						NPC Incorporated		DWG. NO	18003587-02-OD	010

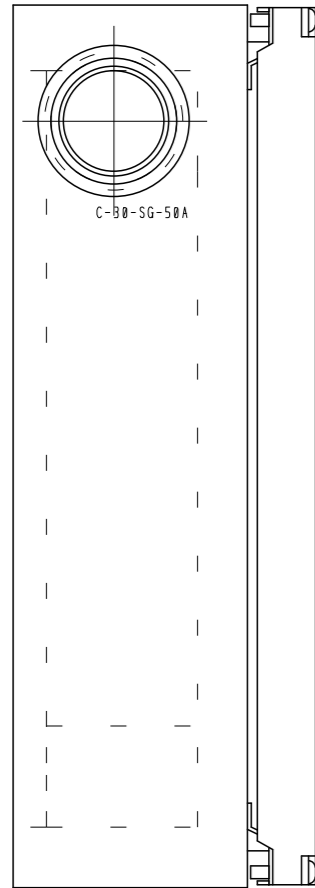
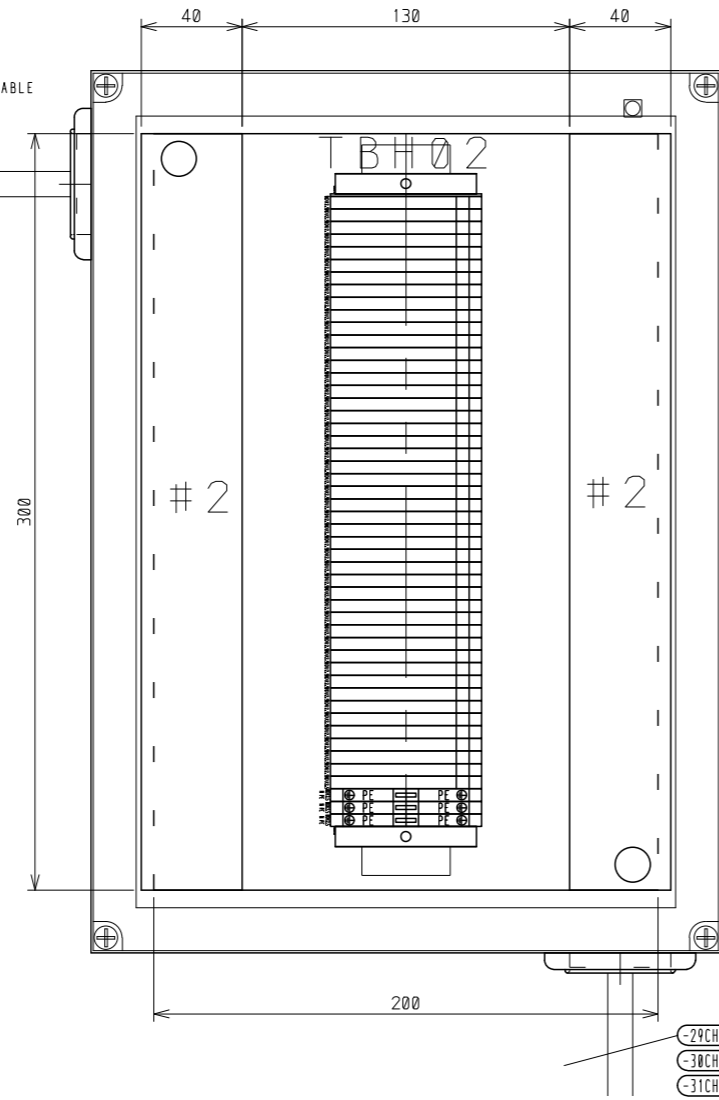
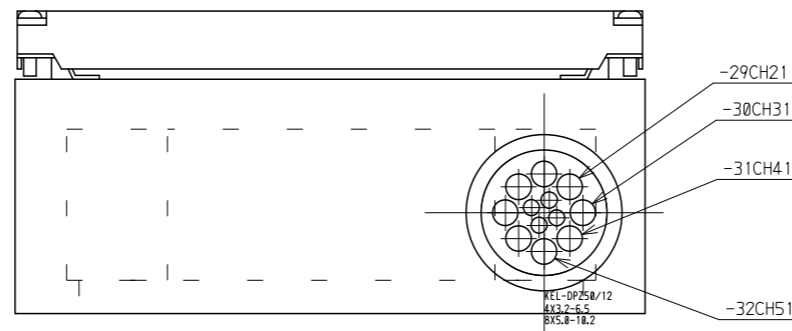
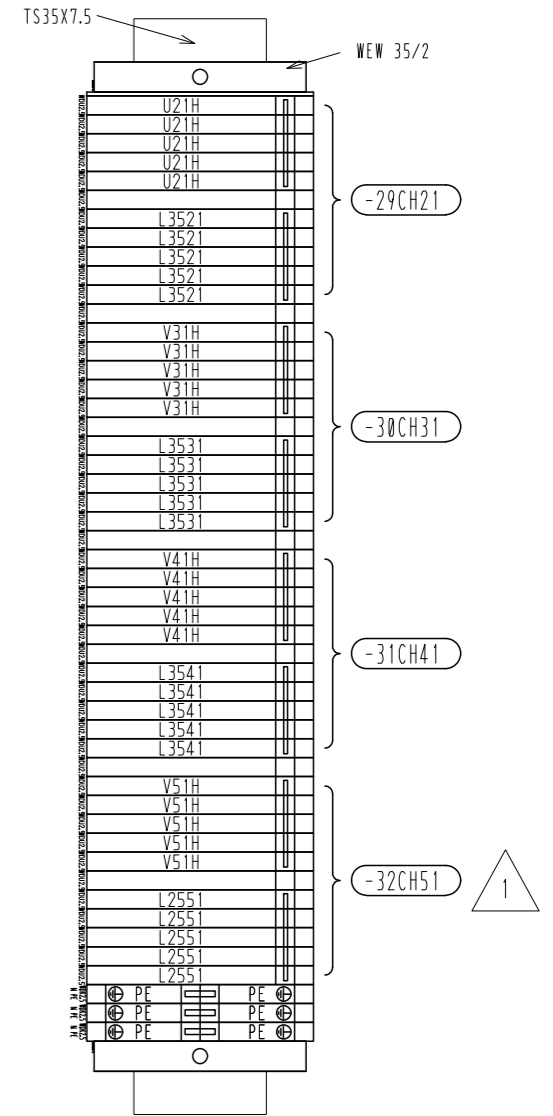


TABLE HEATER CABLE



TBH02

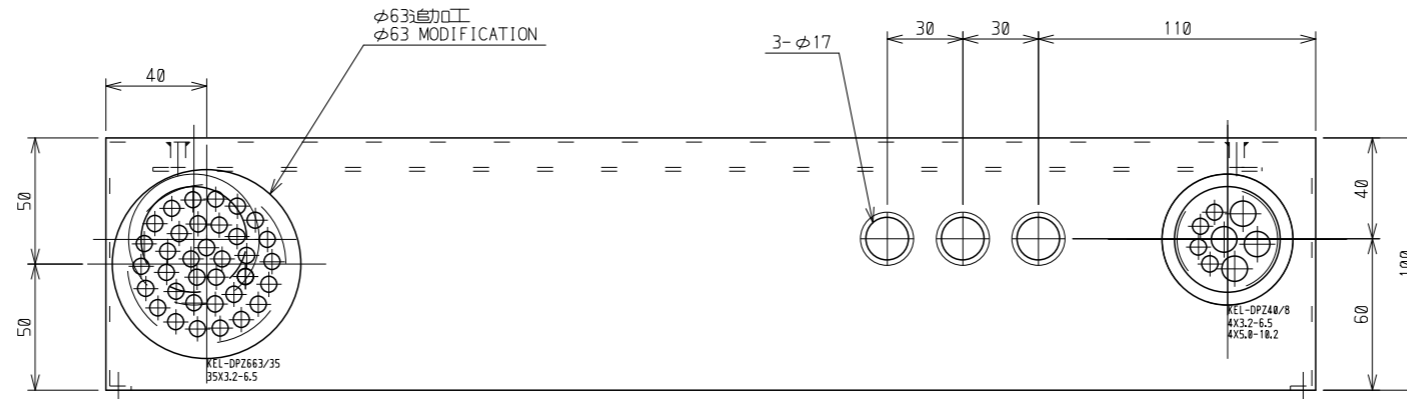
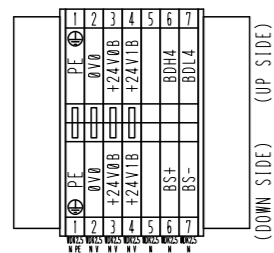
WDU 2.5 (47P)
WDK 2.5 NPE (3P)



REV.	CSA電気安全審査における指摘点の変更 CHANGE FOR NOTED POINTS FOR CSA ELECTRIC SAFETY REVIEW					PRODUCT NO.	架台下 INSIDE TRESTLE	TITLE	コンベヤヒーター中継BOX 詳細図(JBH02). CONVEYOR HEATER JUNCTION BOX JBH02	SH. NO.
						NPC Incorporated		DWG. NO	18003587-02-OD	011

TBH04

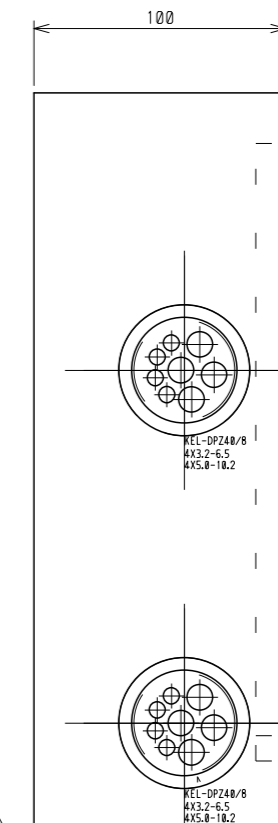
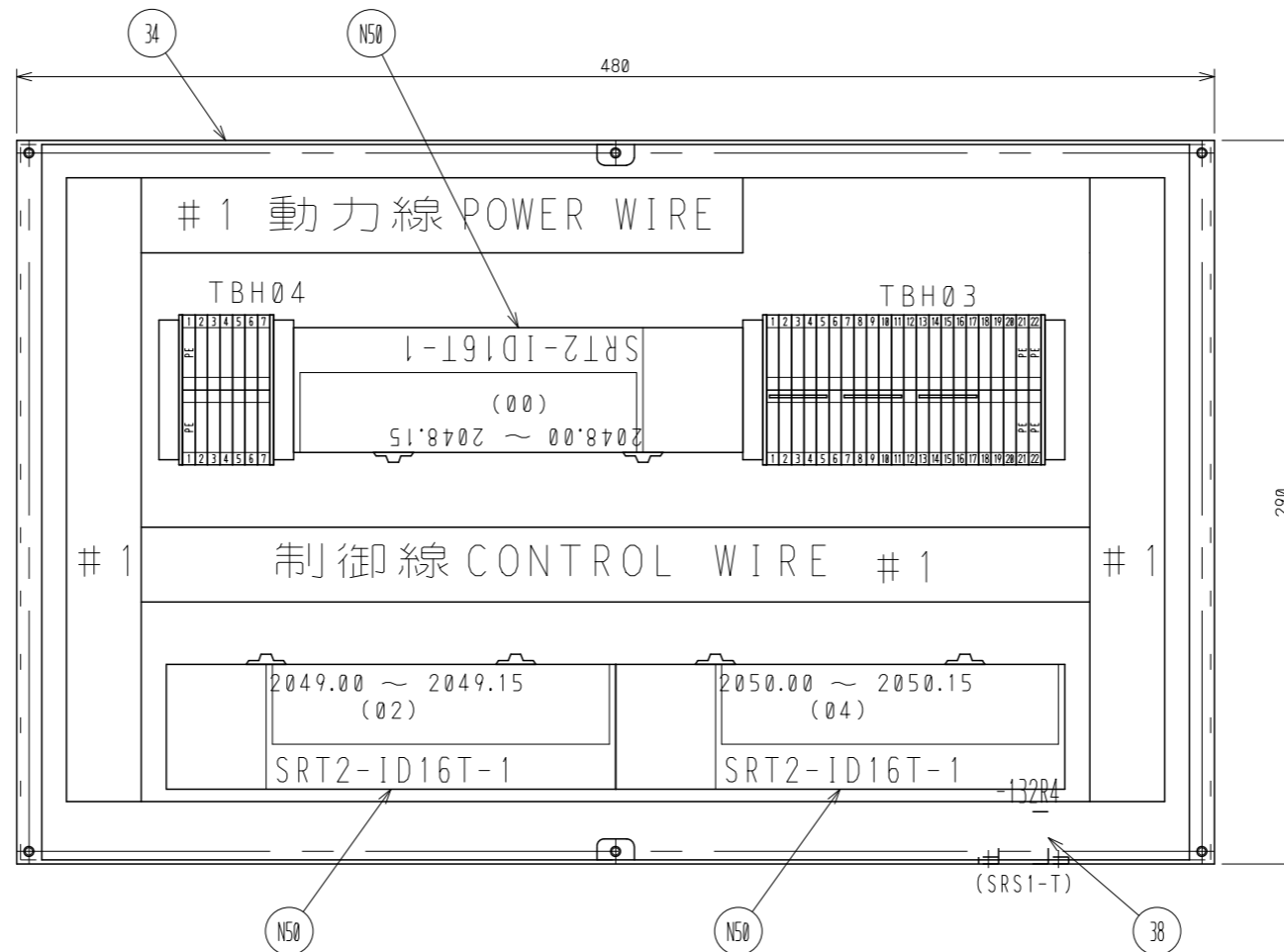
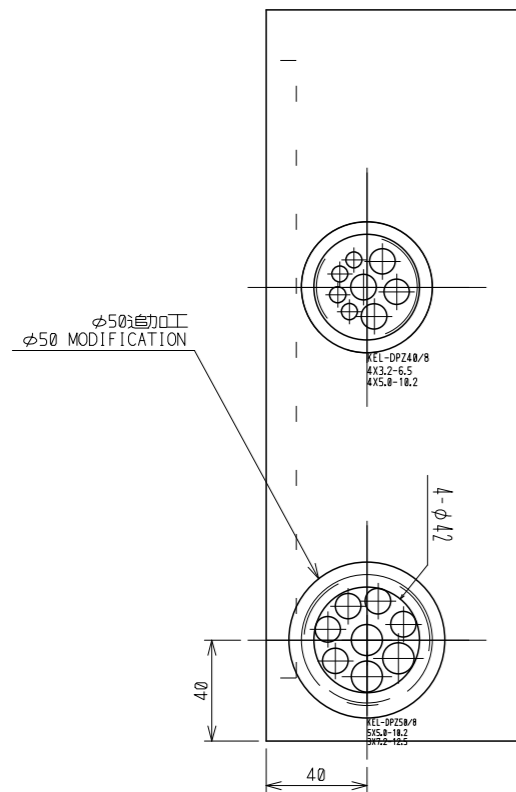
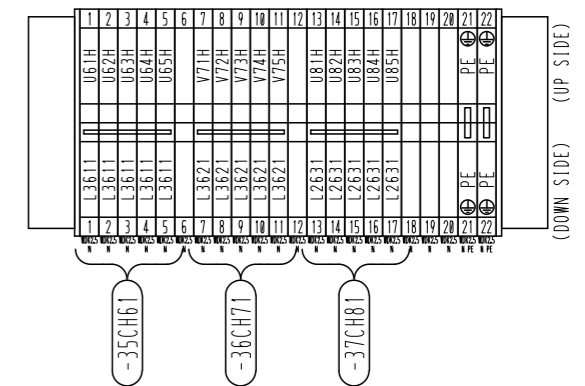
- (N208) WDK 2.5NV (3P)
- (N209) WDK 2.5N PE (1P)
- (N208) WDK 2.5N (3P)



TBH03

ホットエア部
HOT AIR UNIT

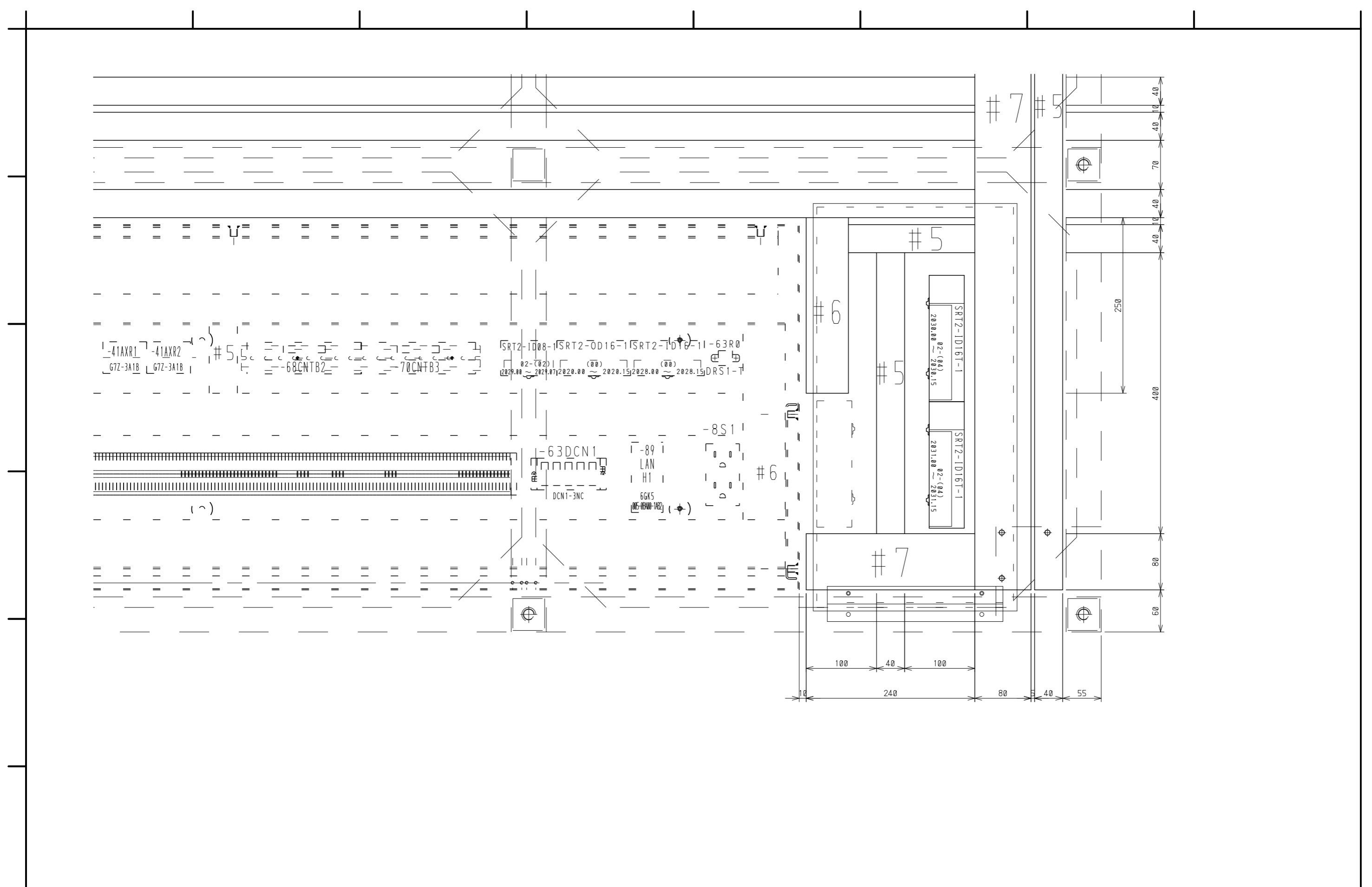
- (N208) WDK 2.5N (20P)
- (N209) WDK 2.5N PE (2P)



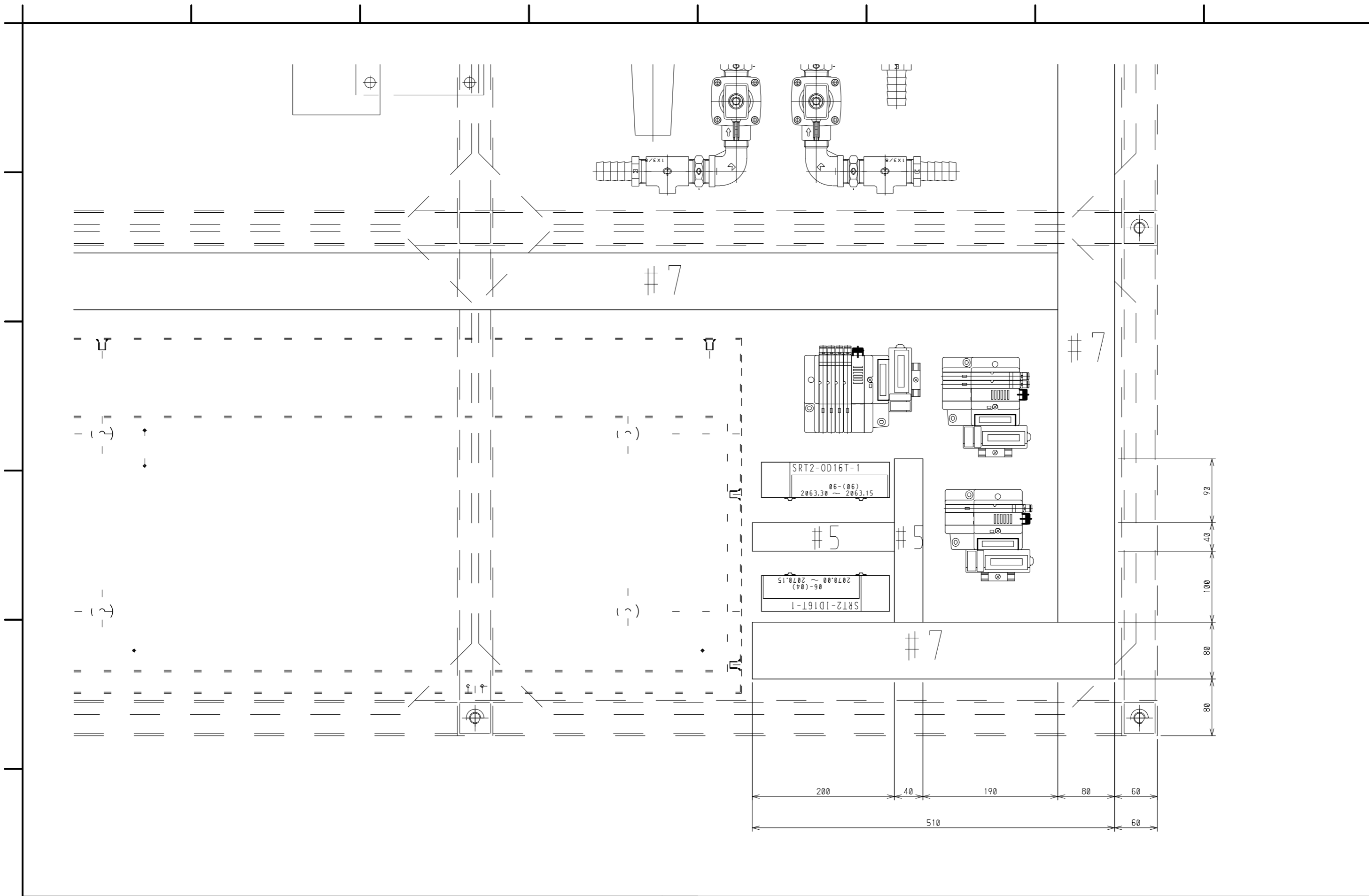
(Remark)

- #1 : W30×H60 Cable duct
- #2 : W40×H60 Cable duct
- #3 : W60×H60 Cable duct

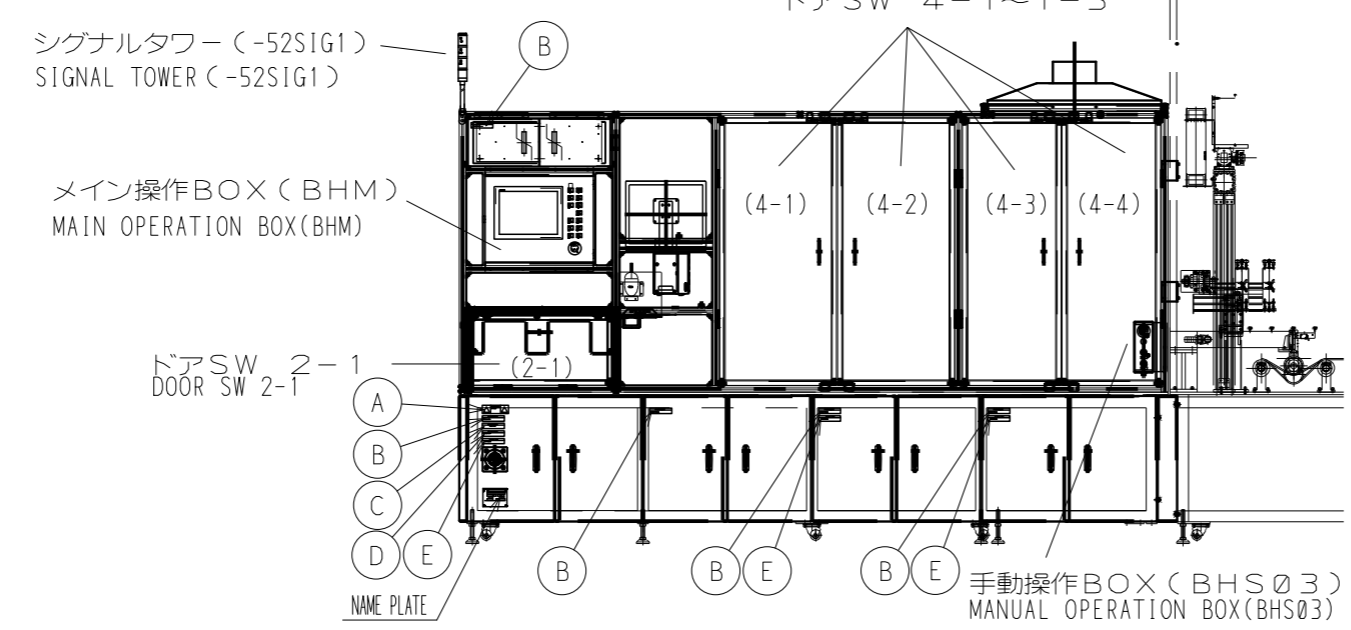
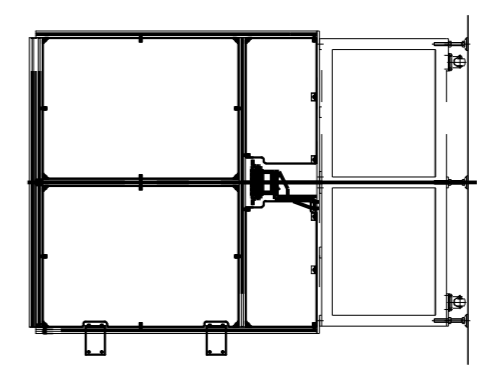
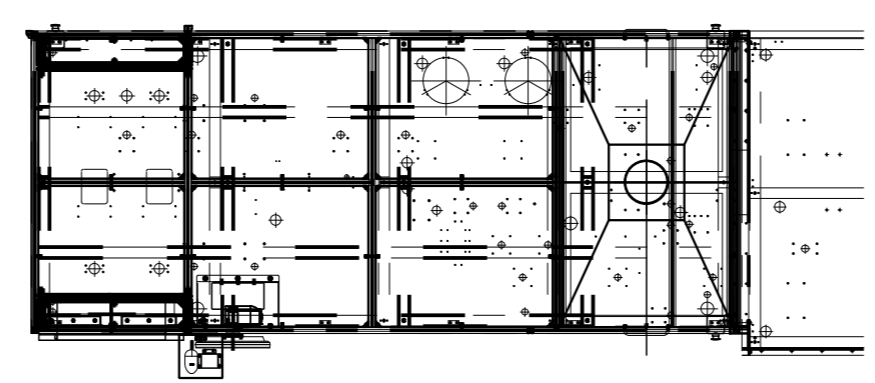
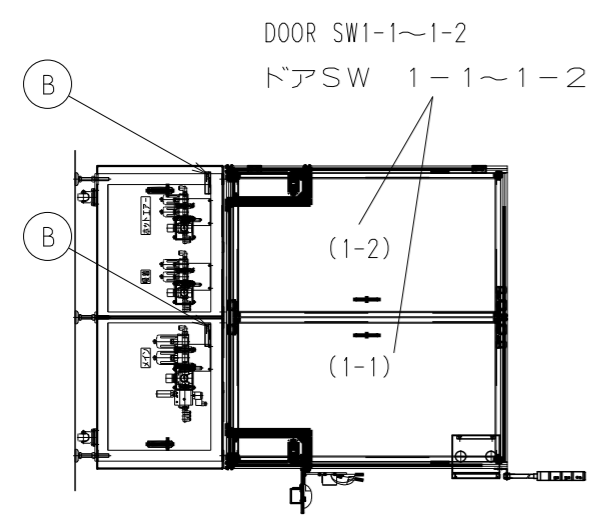
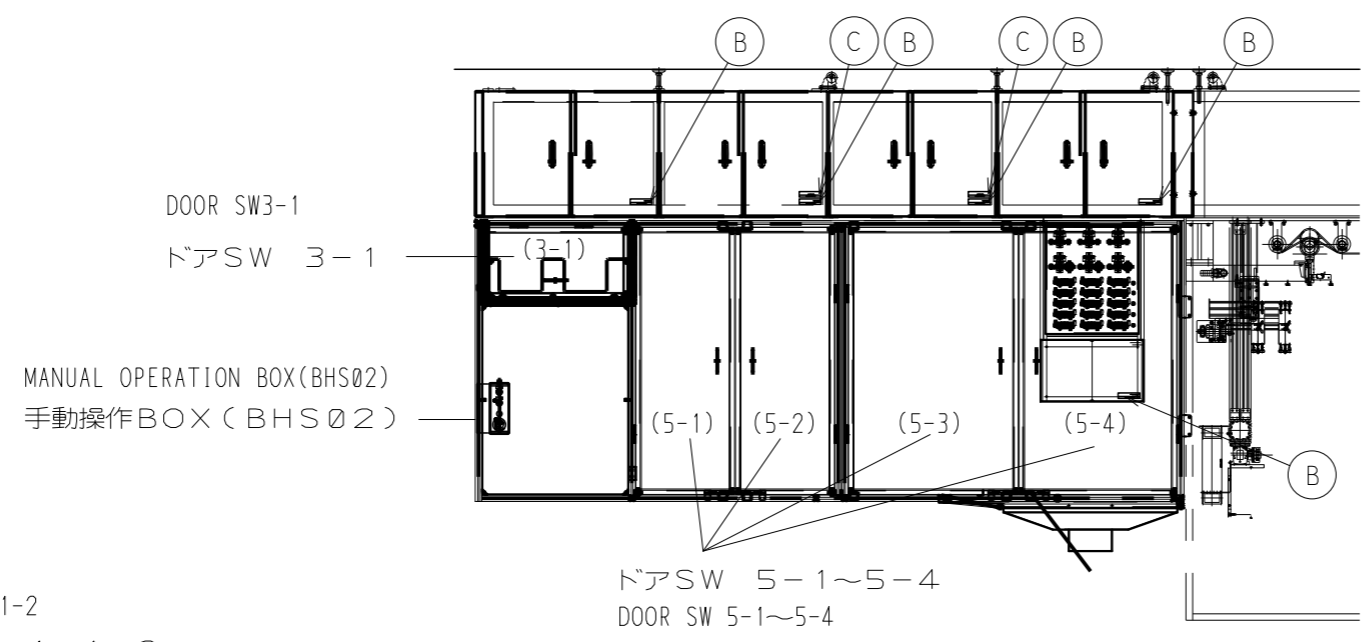
REV.		REV.		PRODUCT NO.	架台上 ON TRESTLE	TITLE	ホットエア部中継BOX(JBH03) HOT AIR JUNCTION BOX JBH03	SH. NO.
				NPC Incorporated		DWG. NO	18003587-02-OD	012



REV.								PRODUCT NO.	架台下 INSIDE TRESTLE		TITLE	前架台下 I/Oターミナル詳細図 FRONT TRESTLE LOWER PART I/O TERMINAL DETAIL DRAWING	SH. NO.
REV.								NPC Incorporated		DWG. NO	18003587-02-0D		015

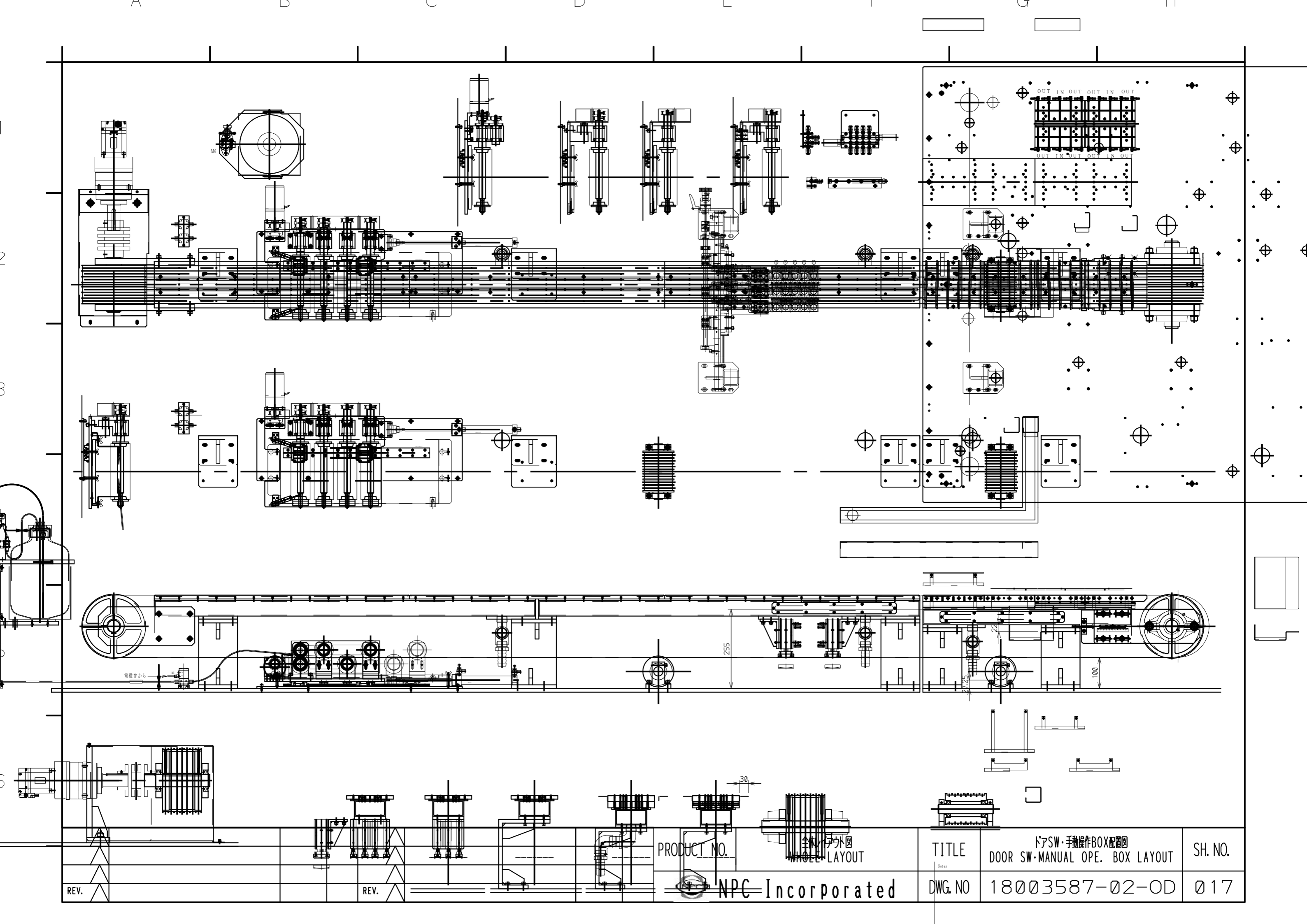


REV.						PRODUCT NO.	架台下 INSIDE TRESTLE	TITLE	後架台下 I/Oターミナル詳細図 REAR TRESTLE LOWER PART I/O TERMINAL DETAIL DRAWING	SH. NO.
						NPC Incorporated		DWG. NO	18003587-02-OD	016



- (LABEL DETAILS)
- (A) : DANGER / Shock and ...
 - (B) : DANGER / DISCONNECT SUPPLY ...
 - (C) : DANGER / CAPACITOR CIRCUIT ...
 - (D) : DANGER / POWER STILL PRESENT ...
 - (E) : CAUTION / YELLOW WIRING IS ...

REV.					PRODUCT NO.	全体レイアウト WHOLE LAYOUT	TITLE	ドアSW・手動操作BOX配置図 DOOR SW・MANUAL OPE. BOX LAYOUT	SH. NO.
					NPC Incorporated		DWG. NO	18003587-02-OD	017



REV.

REV.

PRODUCT NO.

NPC Incorporated

全外図
WIRE LAYOUT

TITLE

DWG. NO

ドアSW・手動操作BOX配置図
DOOR SW・MANUAL OPE. BOX LAYOUT

18003587-02-OD

SH. NO.

017