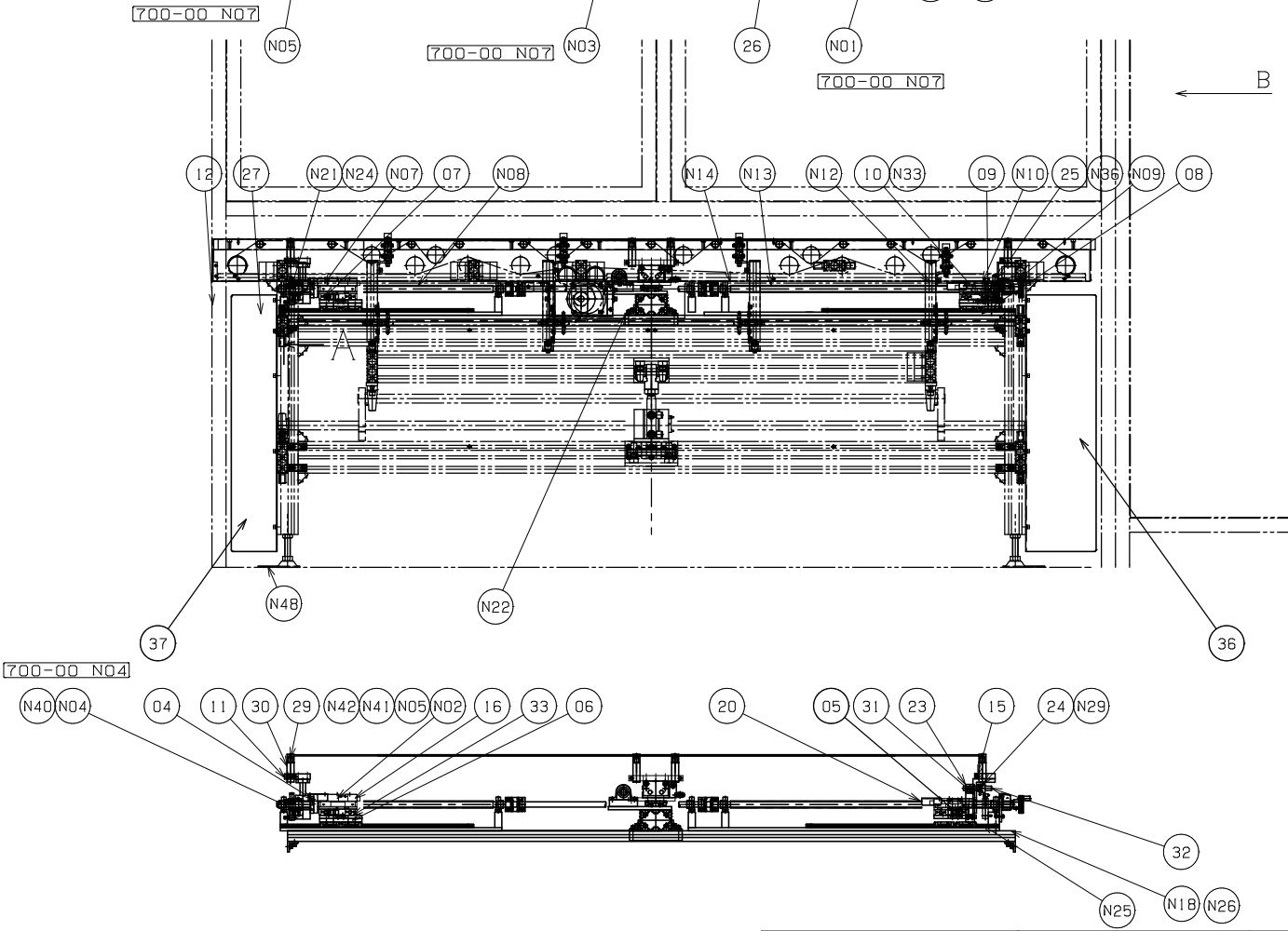
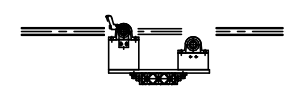
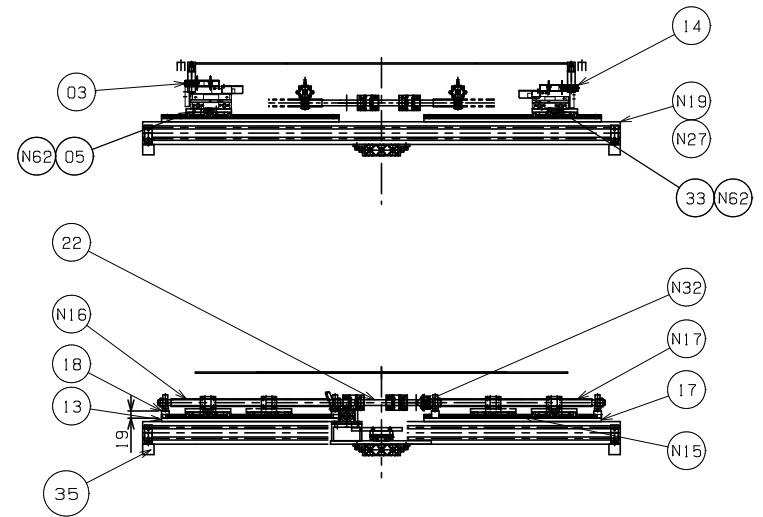


B VIEW



Notes	Date	10-11-08	Machine number	18004681-24	One set	5
	Material	Finish	Approved	Checked	Designed	Total Quantity
	Heat treatment	Scale	Name			
	Surface treatment	3rd angle method	CV 6, 14, 22, 30, 36			
				Drawing number		-030-00