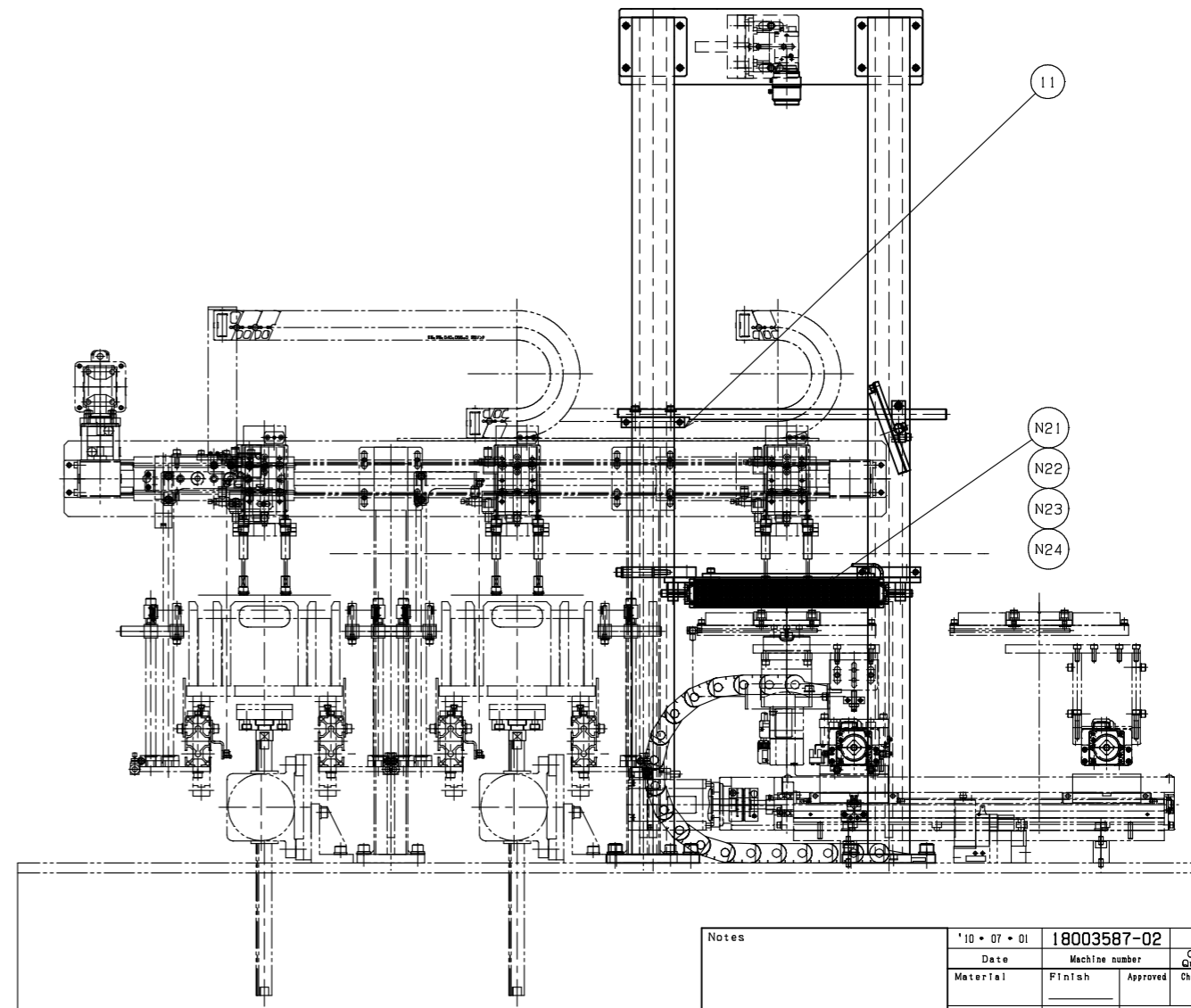
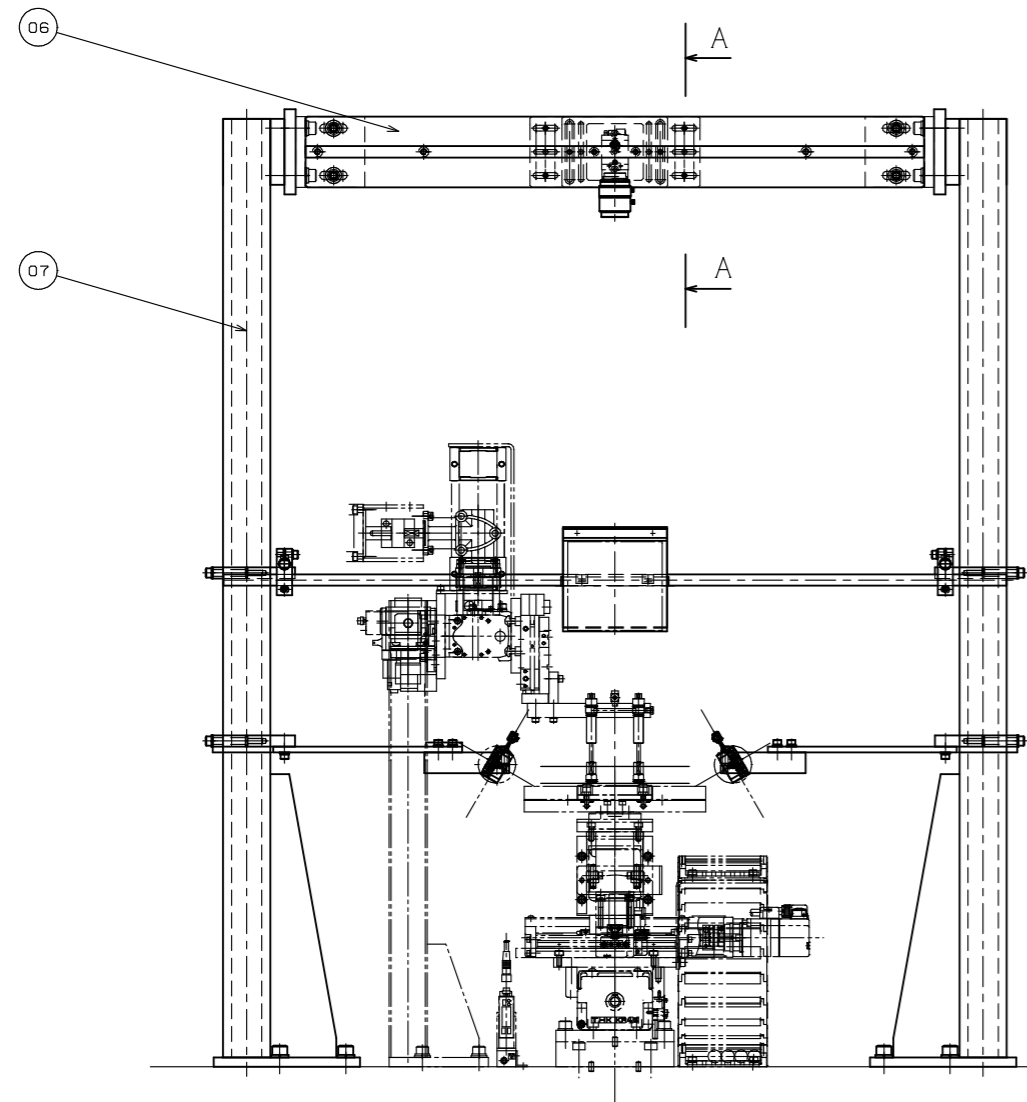


A-A VIEW



Notes	Date	10 • 07 • 01	Machine number	18003587-02	One set	Total
	Material		Finish		Quantity	Quantity
	Heat treatment		Scale	1 / 4	Checked	Designed
	Surface treatment	3rd angle method	Name	ALIGNMENT UNIT (CAMERA)	Drawn	Y.N
			Drawing number	-042-00		