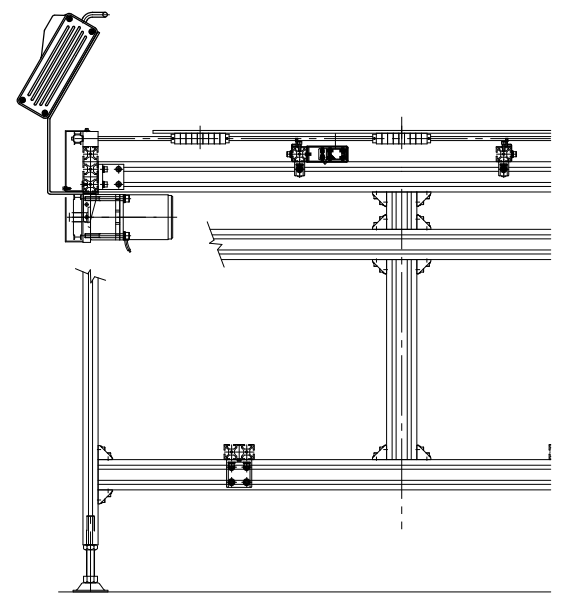
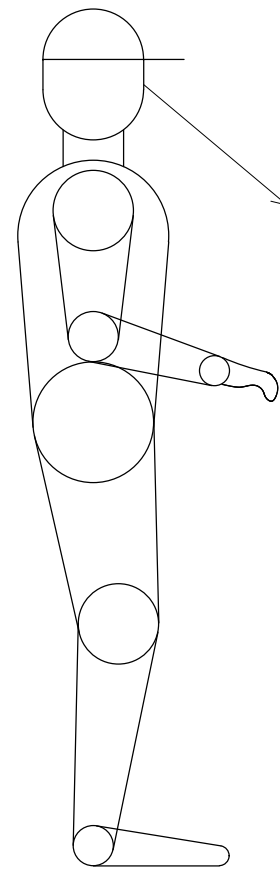
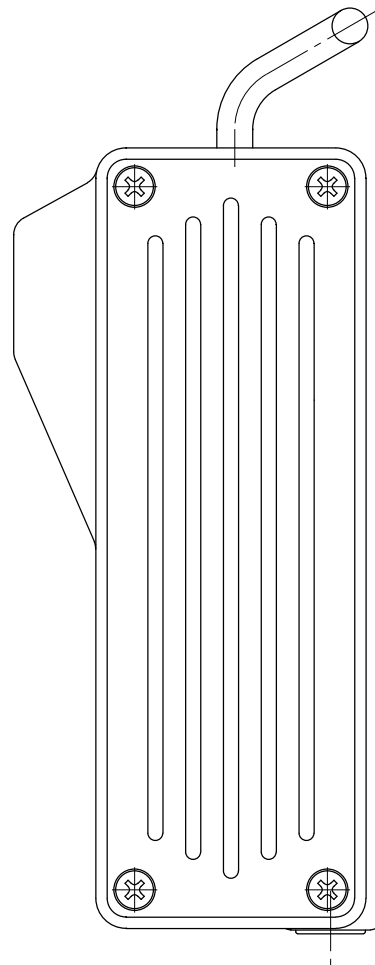
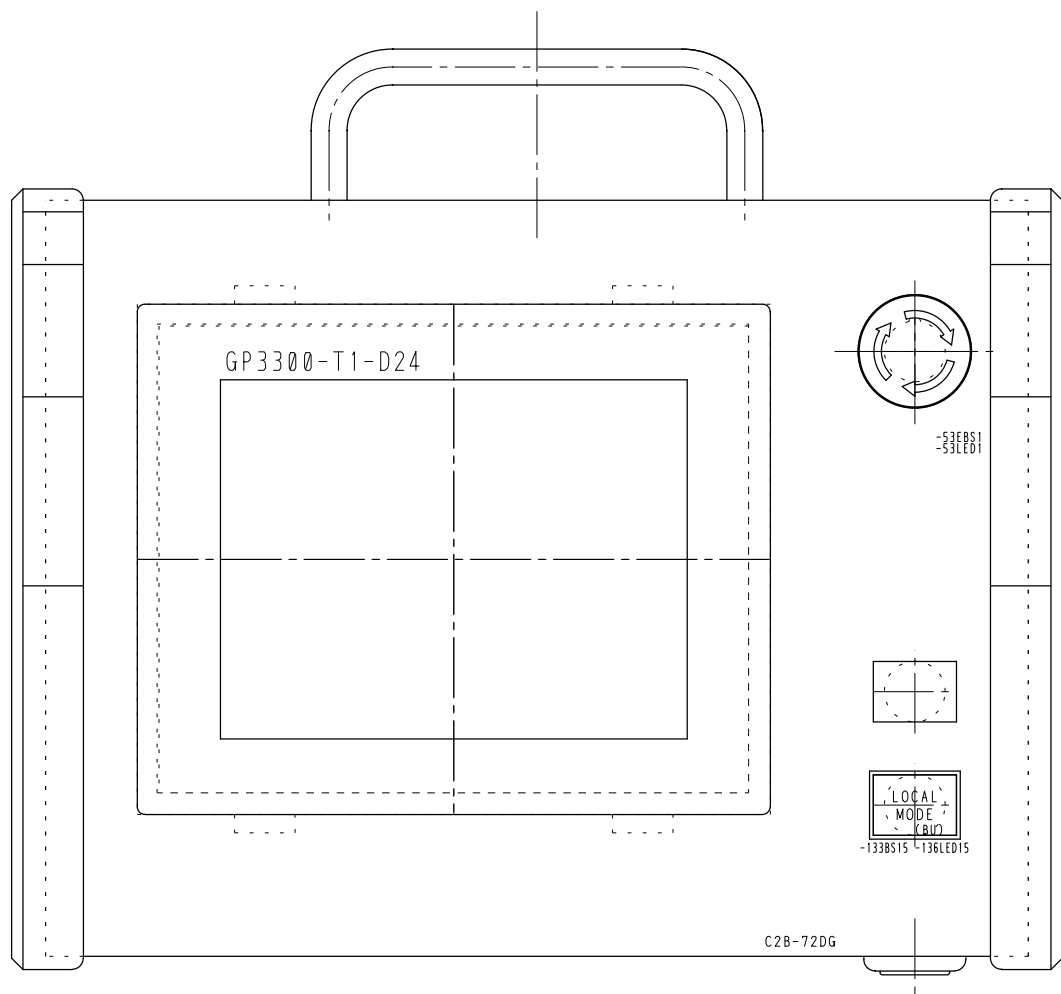


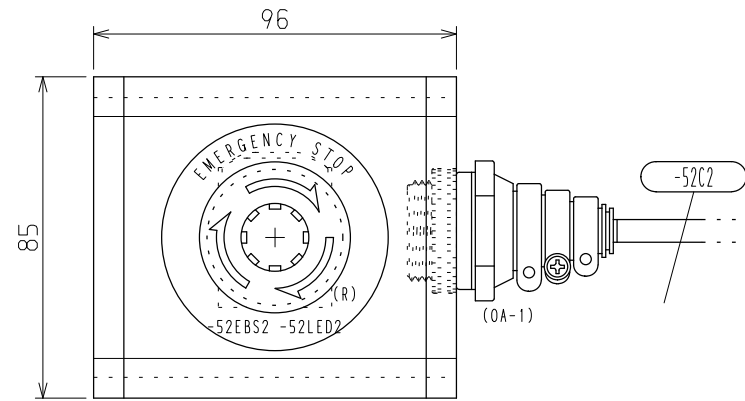
REV.								PRODUCT NO.	メイン制御BOX(BC-M) MAIN CONTROL BOX(BC-M)	TITLE	メイン操作パネル配置図(BHM). MAIN OPERATION PANEL(BHM)	SH. NO.
									NPC Incorporated	DWG. NO	18004681-24-OP	001



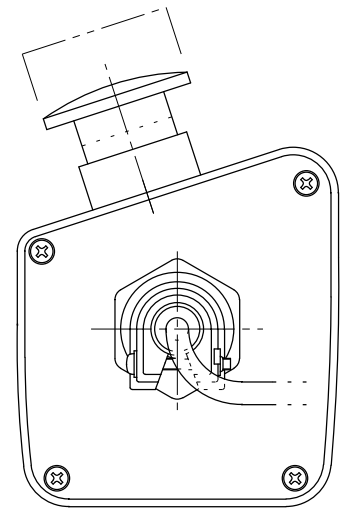
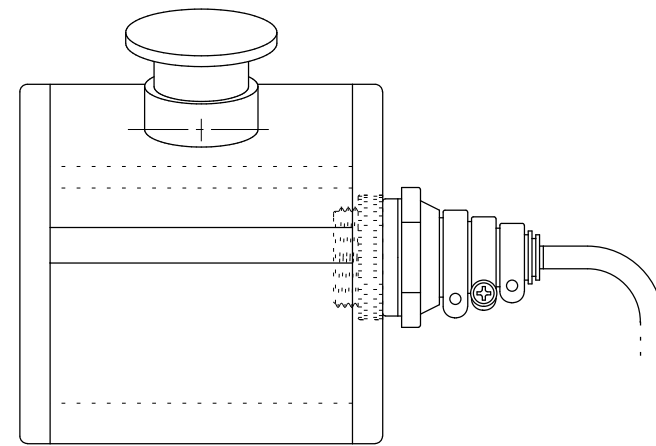
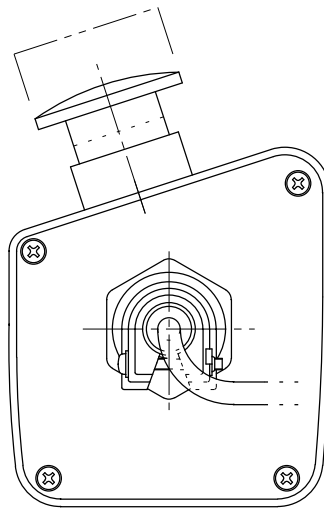
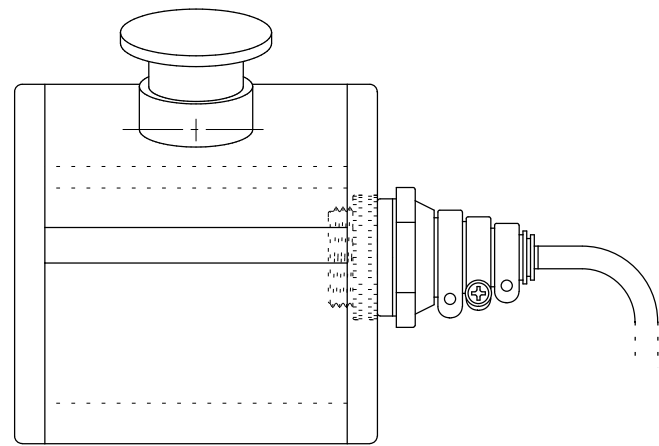
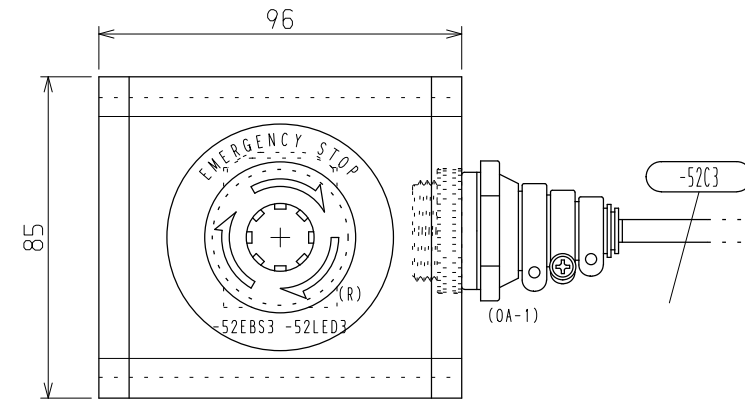
手元操作BOX 01A (BHS01A)
OPERATION BOX 01A (BHS01A)

REV.							PRODUCT NO.	手元操作BOX 01A(BHS01A) OPERATION BOX 01A (BHS01A)	TITLE	手元操作BOX 01A(BHS01A) OPERATION BOX 01A (BHS01A)	SH. NO.
							NPC Incorporated	DWG. NO	18004681-24-OP	002	

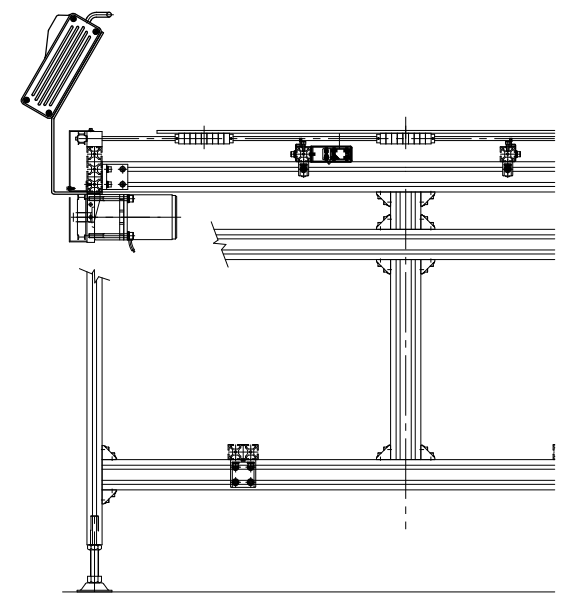
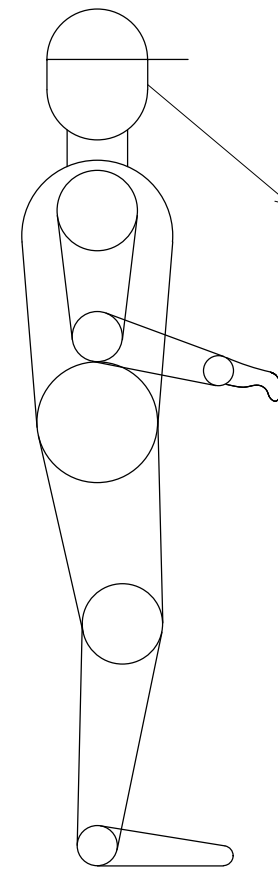
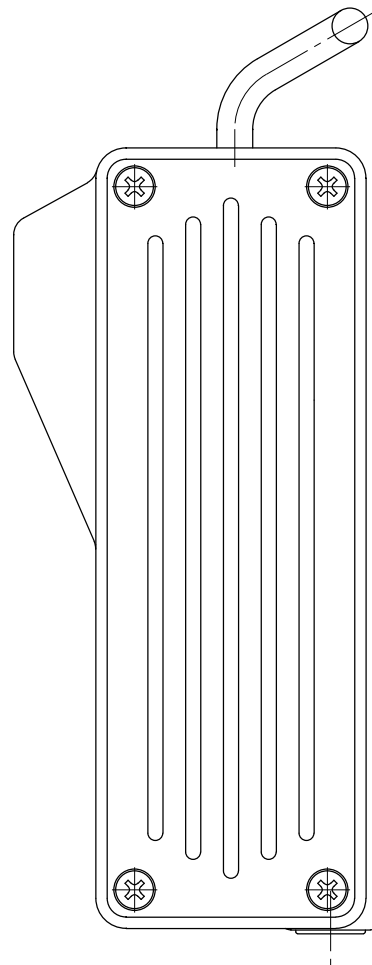
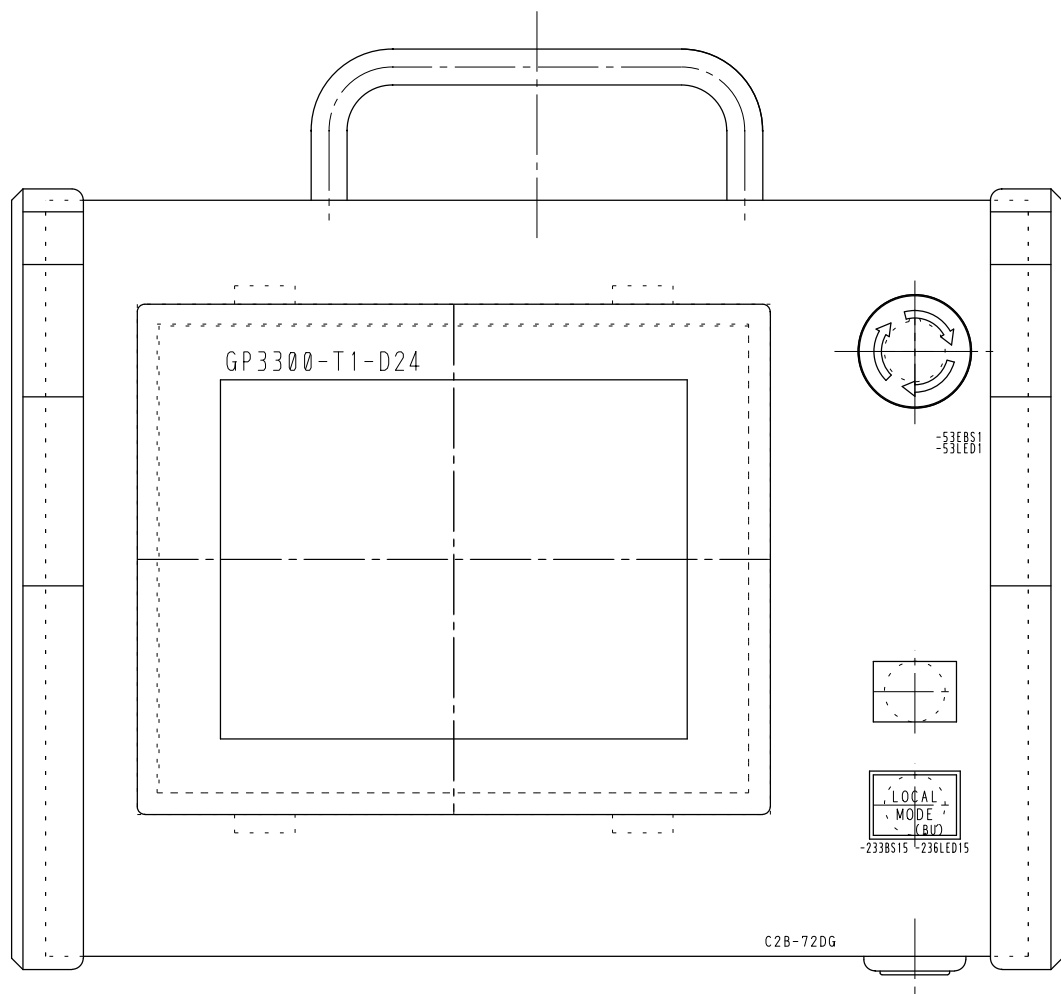
手元操作BOX 01B (BHS01B)
OPERATION BOX 01B (BHS01B)



手元操作BOX 01C (BHS01C)
OPERATION BOX 01C (BHS01C)



REV.								PRODUCT NO.	手元操作BOX 01B, C (BHS01B, C) OPERATION BOX 01B, C (BHS01B, C)	TITLE	手元操作BOX 01B, C (BHS01B, C) OPERATION BOX 01B, C (BHS01B, C)	SH. NO.
									NPC Incorporated	DWG. NO	18004681-24-OP	003



手元操作BOX 02A (BHS02A)
OPERATION BOX 02A (BHS02A)

PRODUCT NO.

手元操作BOX 02A(BHS02A)
OPERATION BOX 02A (BHS02A)

TITLE

手元操作BOX 02A(BHS02A)
OPERATION BOX 02A (BHS02A)

SH. NO.

REV.

REV.



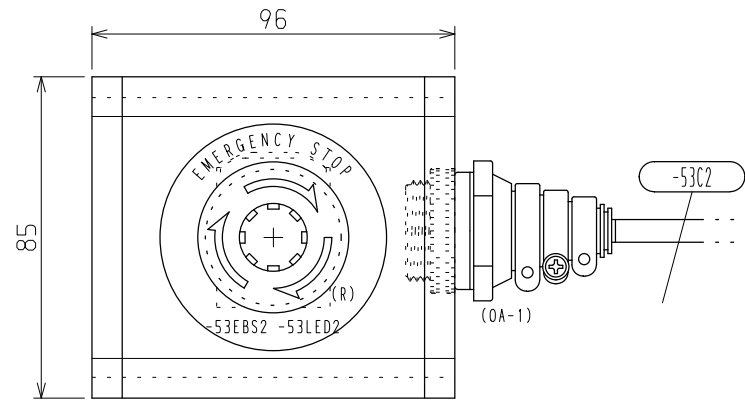
NPC Incorporated

DWG. NO

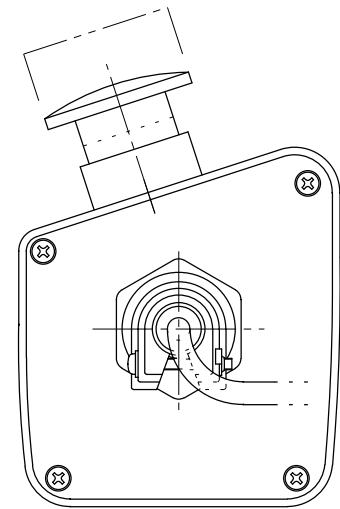
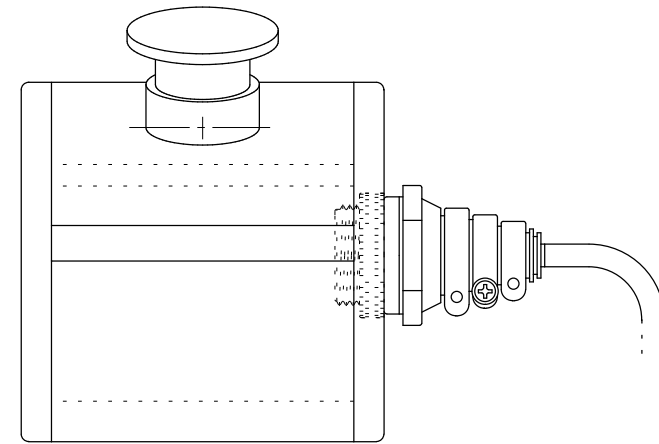
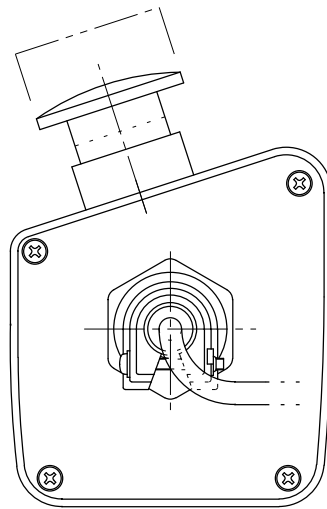
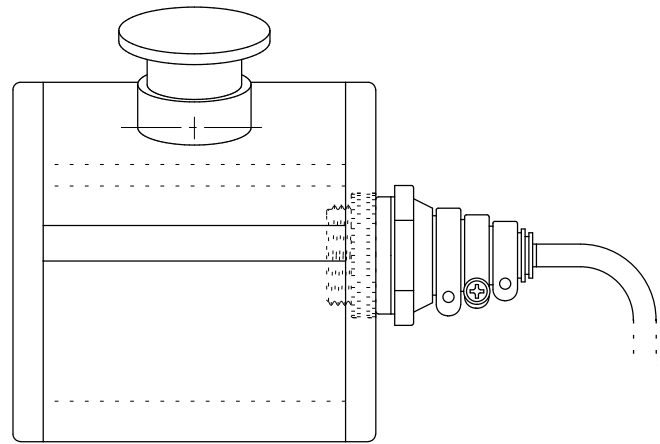
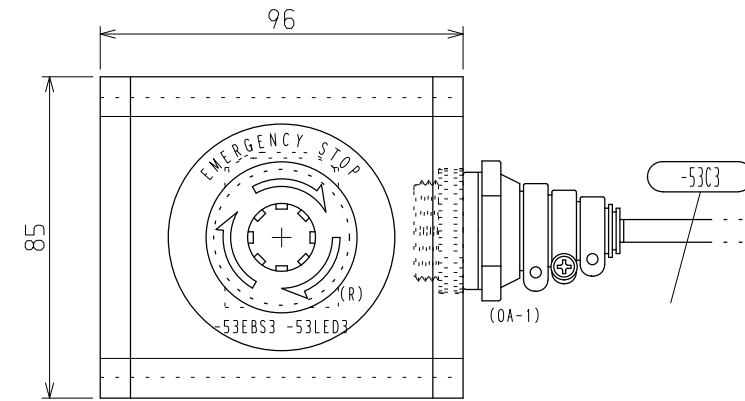
18004681-24-OP

004

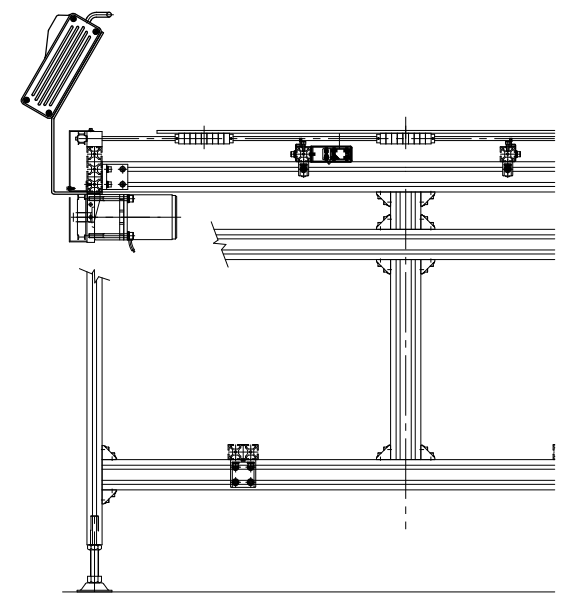
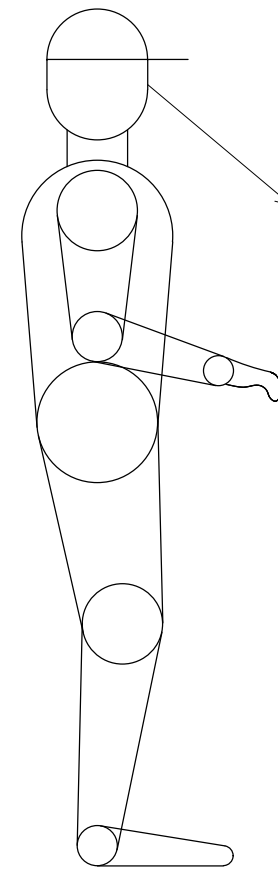
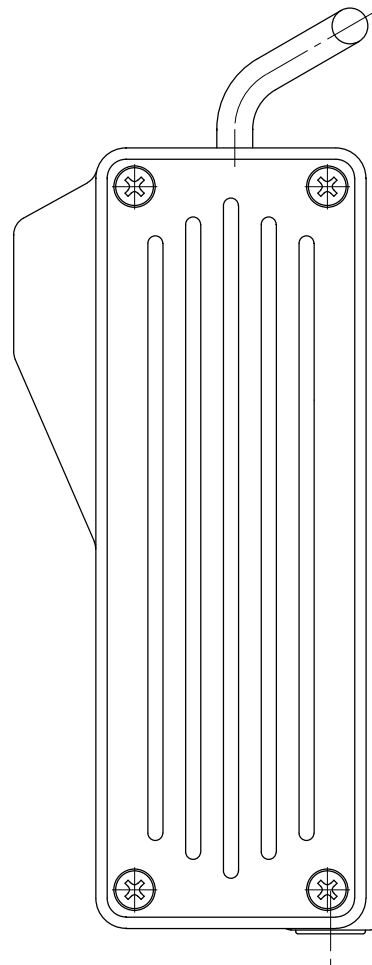
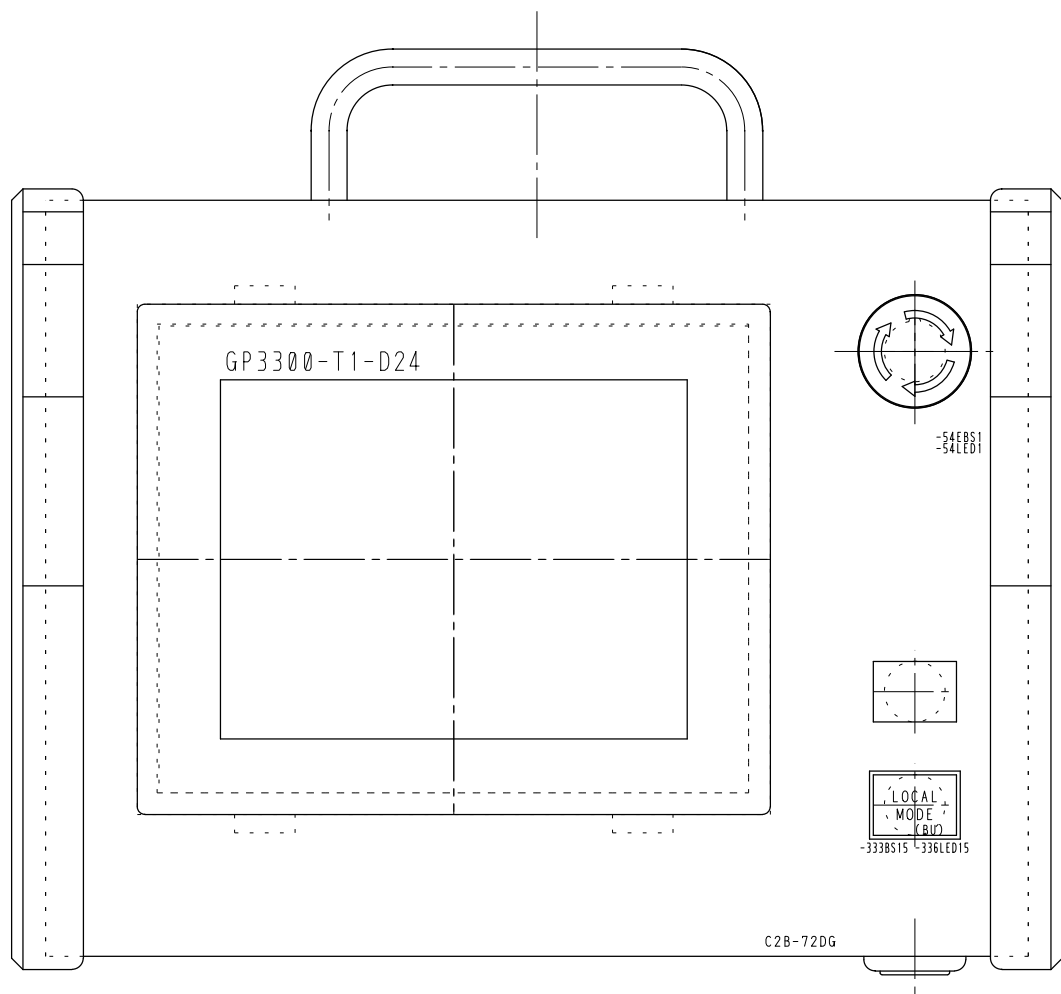
手元操作BOX 02B (BHS02B)
OPERATION BOX 02B (BHS02B)



手元操作BOX 02C (BHS02C)
OPERATION BOX 02C (BHS02C)



REV.								PRODUCT NO.	手元操作BOX 02B, C (BHS02B, C) OPERATION BOX 02B, C (BHS02B, C)	TITLE	手元操作BOX 02B, C (BHS02B, C) OPERATION BOX 02B, C (BHS02B, C)	SH. NO.
								NPC Incorporated		DWG. NO	18004681-24-OP	005



手元操作BOX 03A (BHS03A)
OPERATION BOX 03A (BHS03A)

PRODUCT NO.

手元操作BOX 03A(BHS03A)
OPERATION BOX 03A (BHS03A)

TITLE

手元操作BOX 03A(BHS03A)
OPERATION BOX 03A (BHS03A)

SH. NO.

REV.

REV.



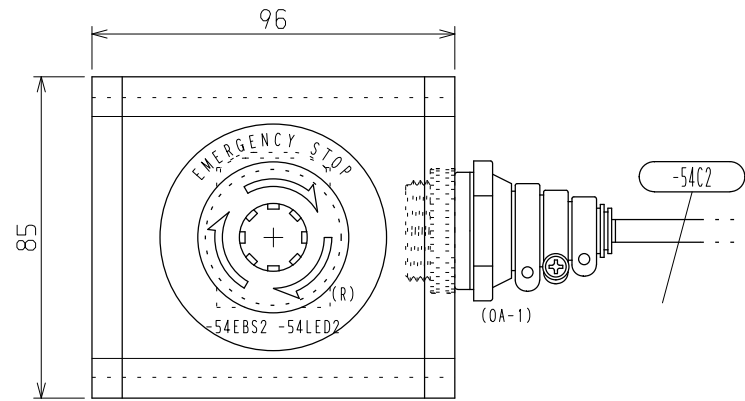
NPC Incorporated

DWG. NO

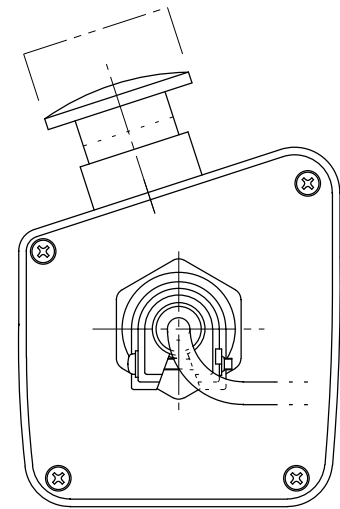
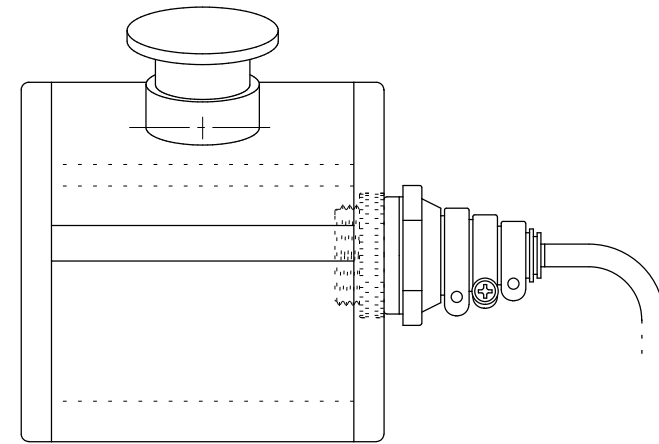
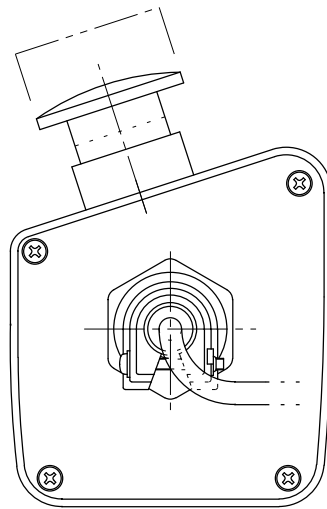
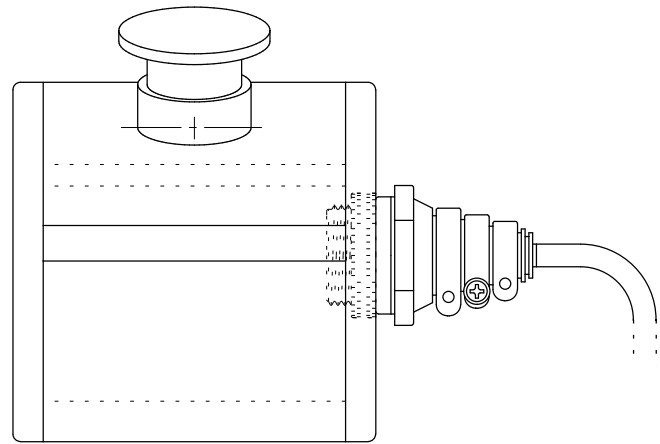
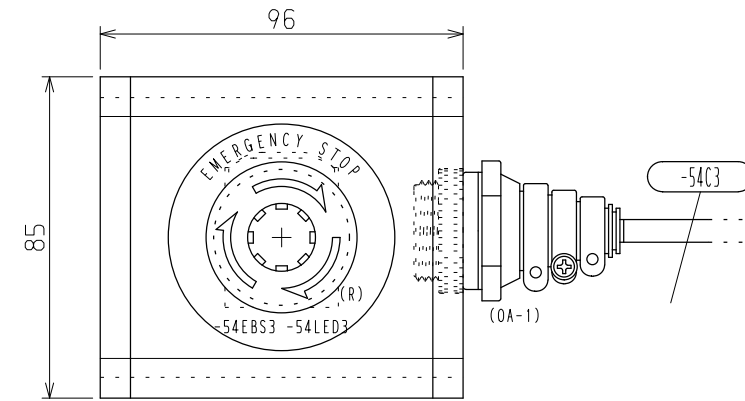
18004681-24-OP

006

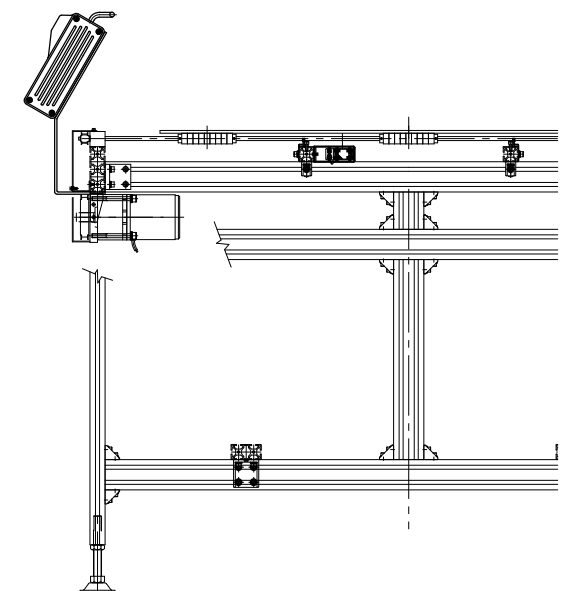
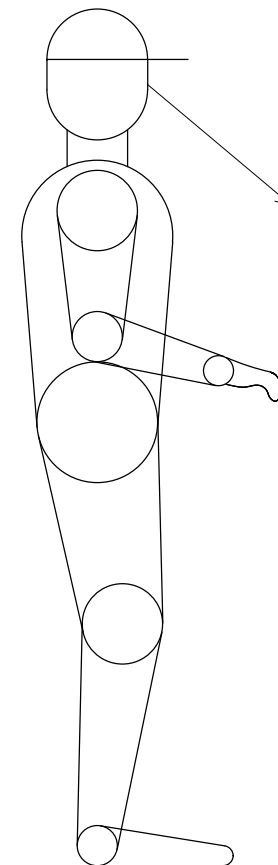
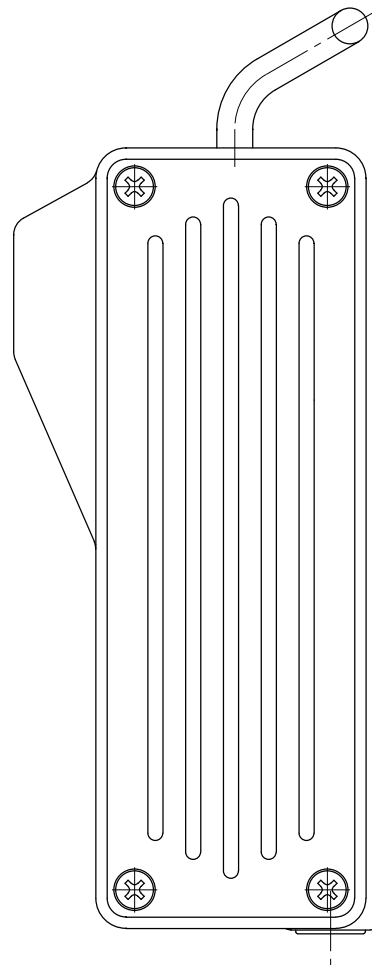
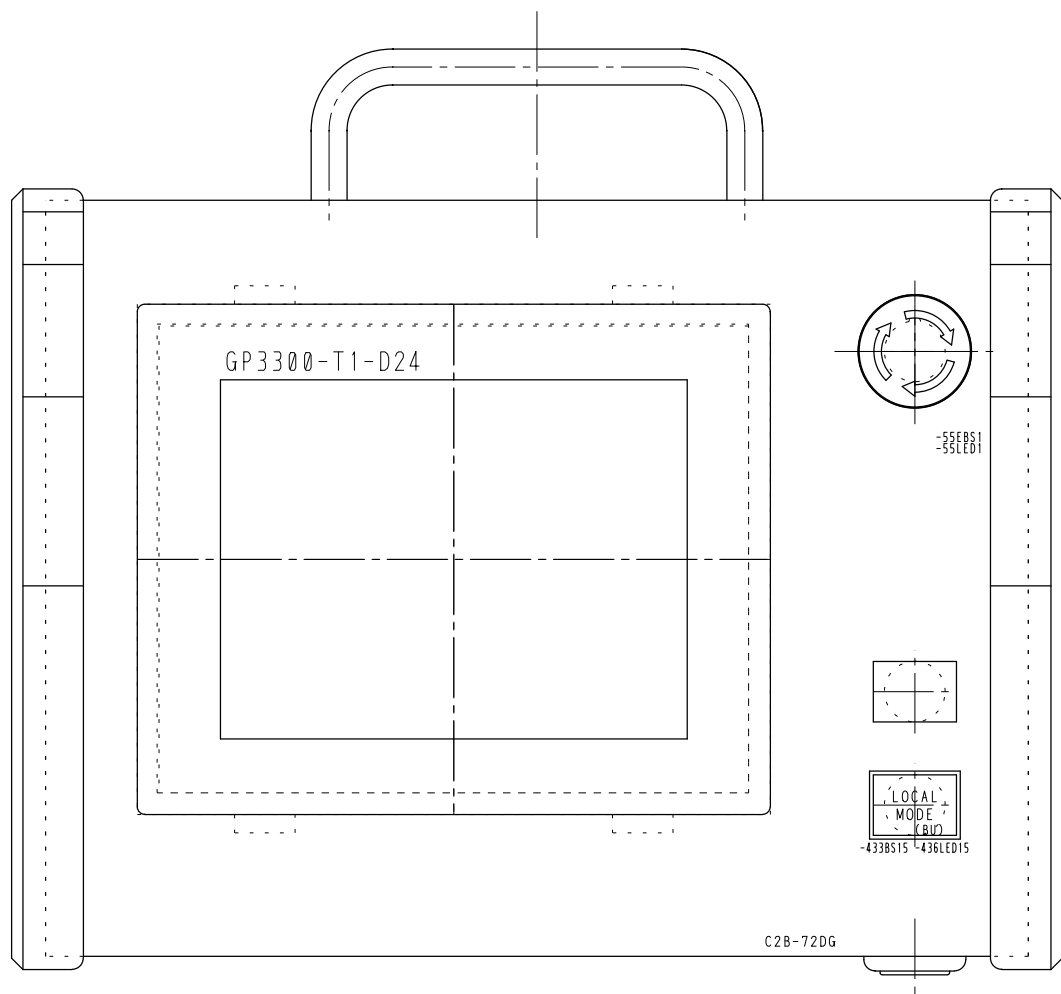
手元操作BOX 03B (BHS03B)
OPERATION BOX 03B (BHS03B)




手元操作BOX 03C (BHS03C)
OPERATION BOX 03C (BHS03C)



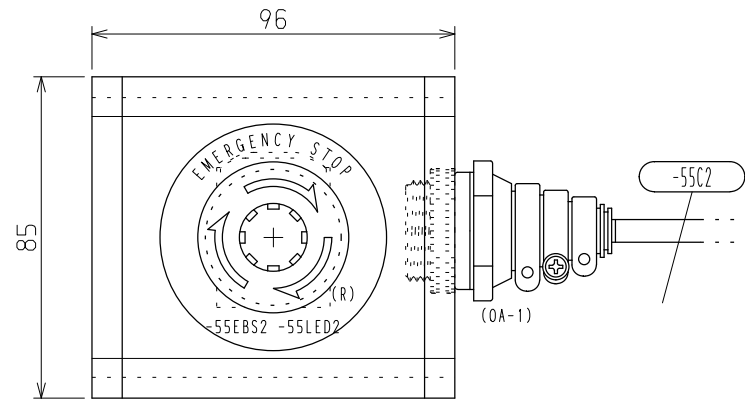
REV.								PRODUCT NO.	手元操作BOX 03B, C (BHS03B, C) OPERATION BOX 03B, C (BHS03B, C)	TITLE	手元操作BOX 03B, C (BHS03B, C) OPERATION BOX 03B, C (BHS03B, C)	SH. NO.
								NPC Incorporated		DWG. NO	18004681-24-OP	007



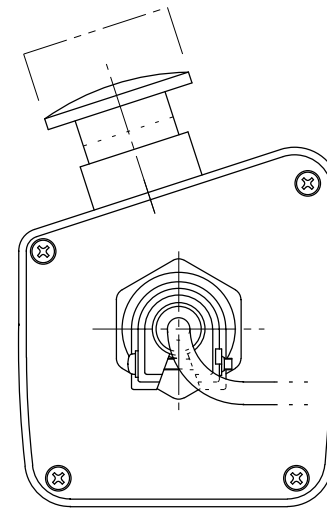
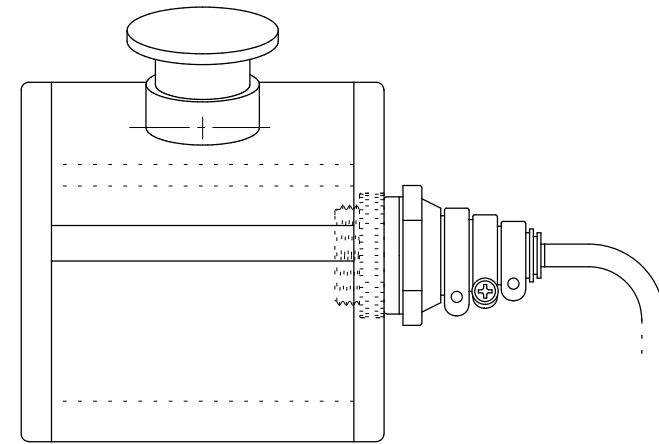
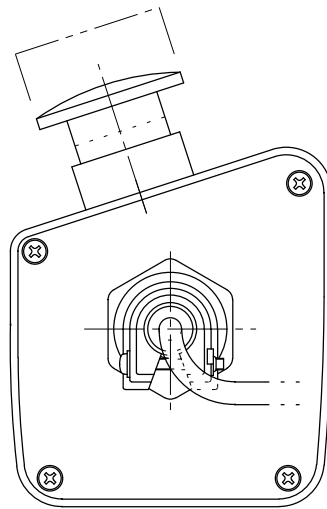
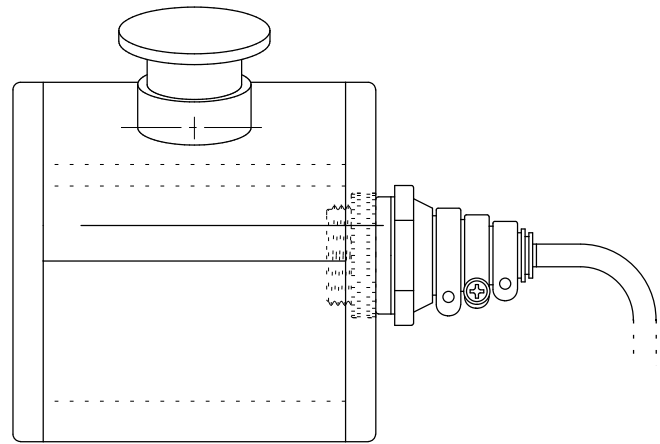
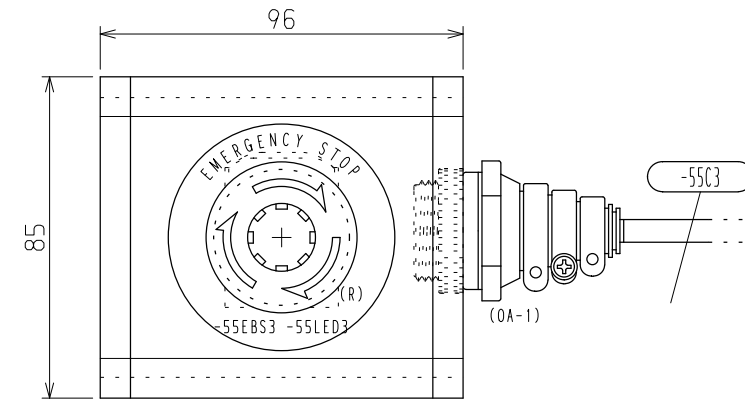
手元操作BOX 04A (BHS04A)
OPERATION BOX 04A (BHS04A)

REV.							PRODUCT NO.	手元操作BOX 04A(BHS04A) OPERATION BOX 04A (BHS04A)	TITLE	手元操作BOX 04A(BHS04A) OPERATION BOX 04A (BHS04A)	SH. NO.
							 NPC Incorporated	DWG. NO	18004681-24-OP	008	

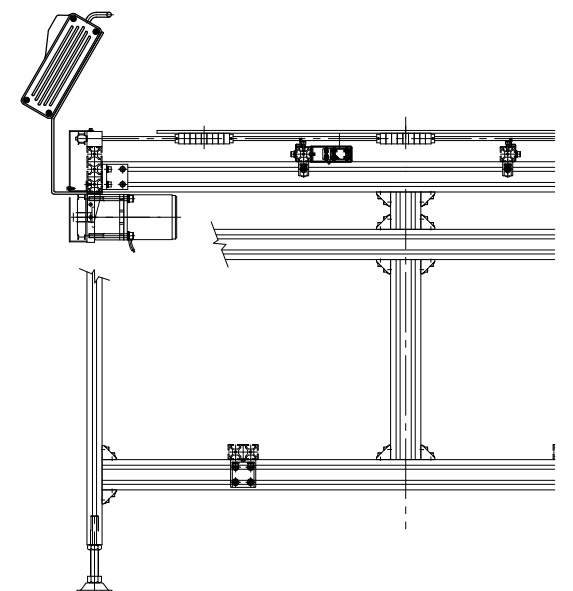
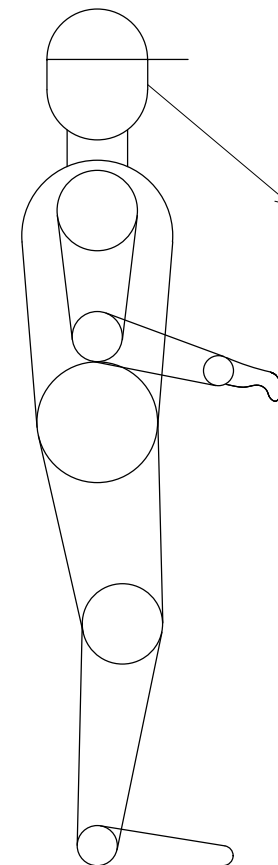
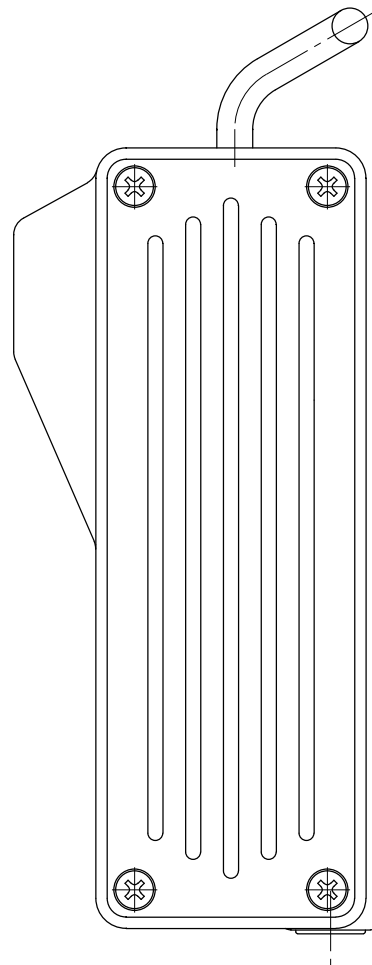
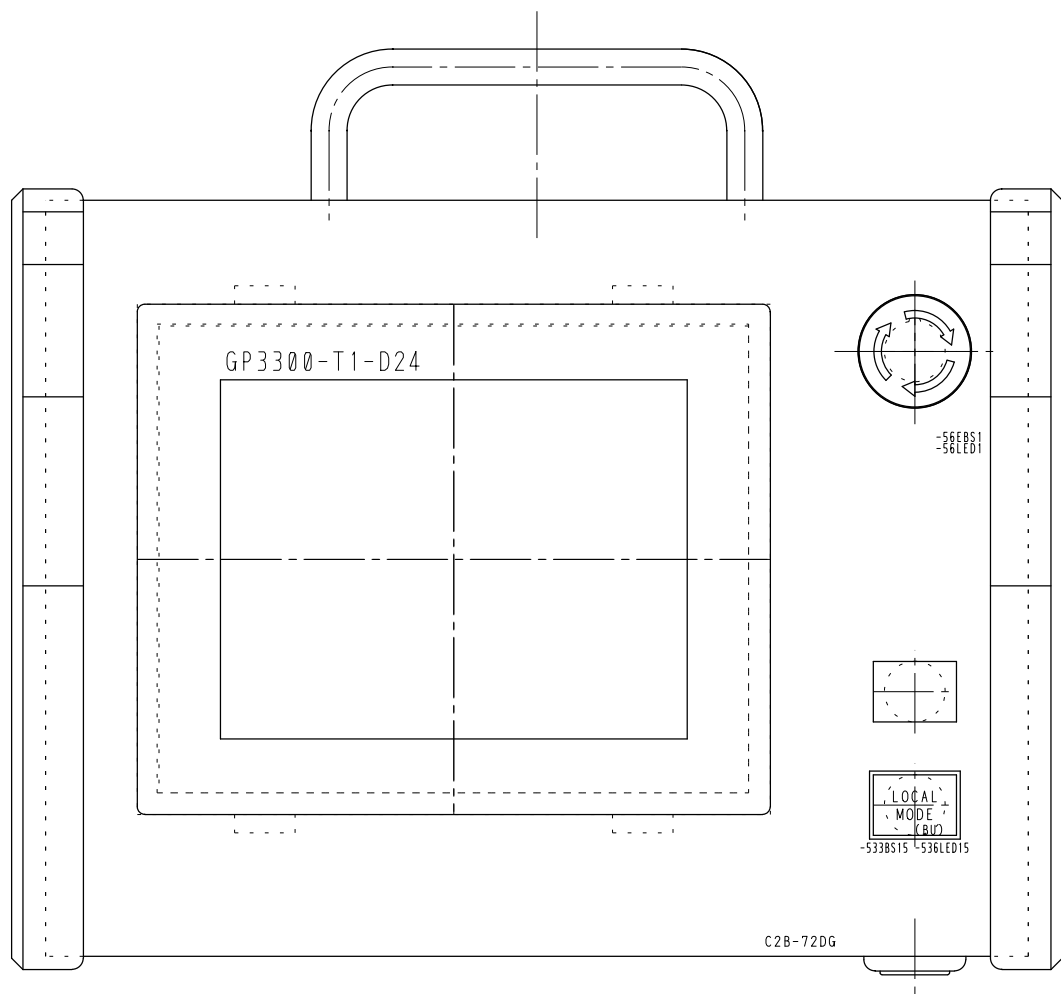
手元操作BOX 04B (BHS04B)
OPERATION BOX 04B (BHS04B)




手元操作BOX 04C (BHS04C)
OPERATION BOX 04C (BHS04C)



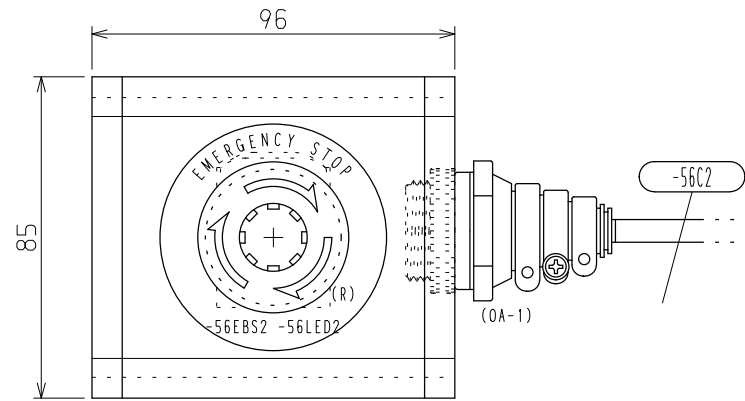
REV.							PRODUCT NO.	手元操作BOX 04B, C (BHS04B, C) OPERATION BOX 04B, C (BHS04B, C)	TITLE	手元操作BOX 04B, C (BHS04B, C) OPERATION BOX 04B, C (BHS04B, C)	SH. NO.
							NPC Incorporated		DWG. NO	18004681-24-OP	009



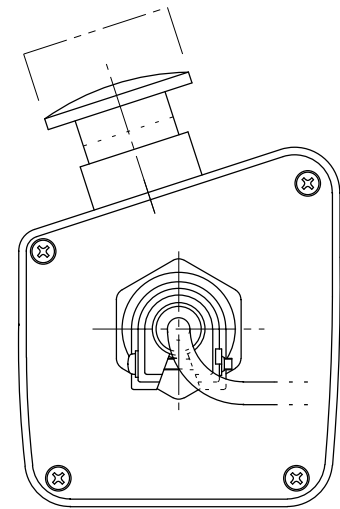
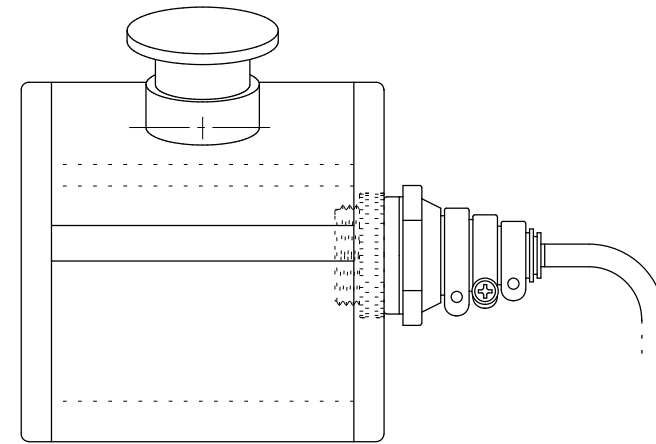
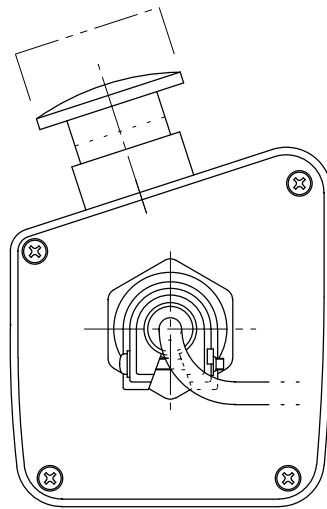
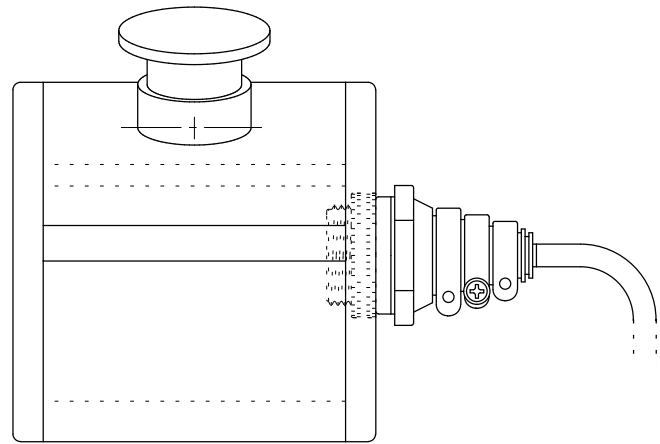
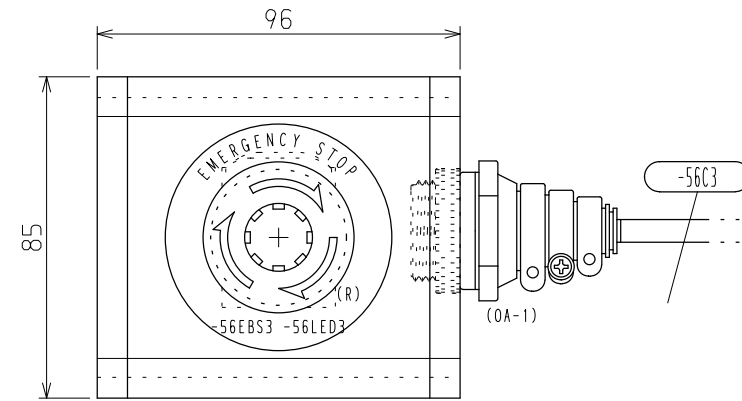
手元操作BOX 05A (BHS05A)
OPERATION BOX 05A (BHS05A)

REV.							PRODUCT NO.	手元操作BOX 05A(BHS05A) OPERATION BOX 05A (BHS05A)	TITLE	手元操作BOX 05A(BHS05A) OPERATION BOX 05A (BHS05A)	SH. NO.
							 NPC Incorporated	DWG. NO	18004681-24-OP	010	

手元操作BOX 06B (BHS06B)
OPERATION BOX 06B (BHS06B)



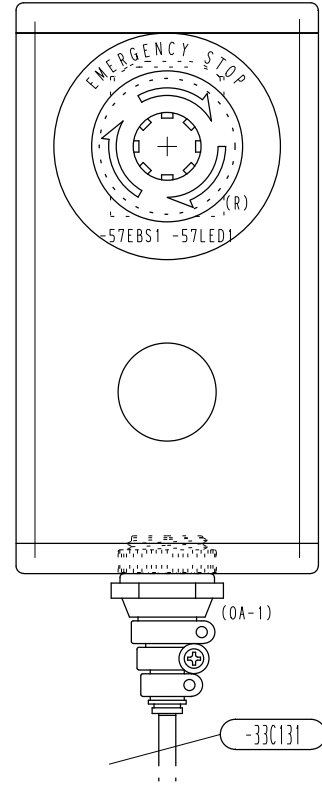
手元操作BOX 06C (BHS06C)
OPERATION BOX 06C (BHS06C)



REV.								PRODUCT NO.	手元操作BOX 05B, C (BHS05B, C) OPERATION BOX 05B, C (BHS05B, C)	TITLE	手元操作BOX 05B, C (BHS05B, C) OPERATION BOX 05B, C (BHS05B, C)	SH. NO.	
									NPC Incorporated	DWG. NO	18004681-24-OP	011	

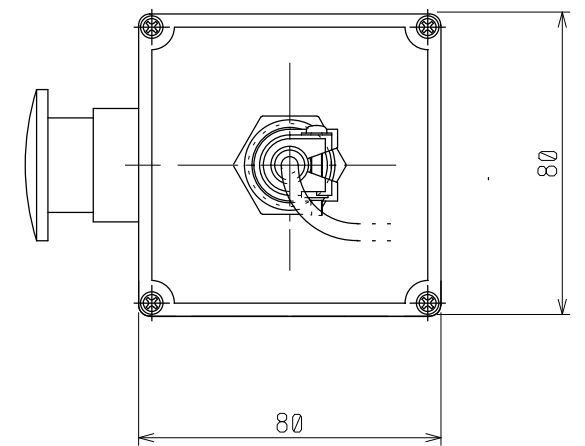
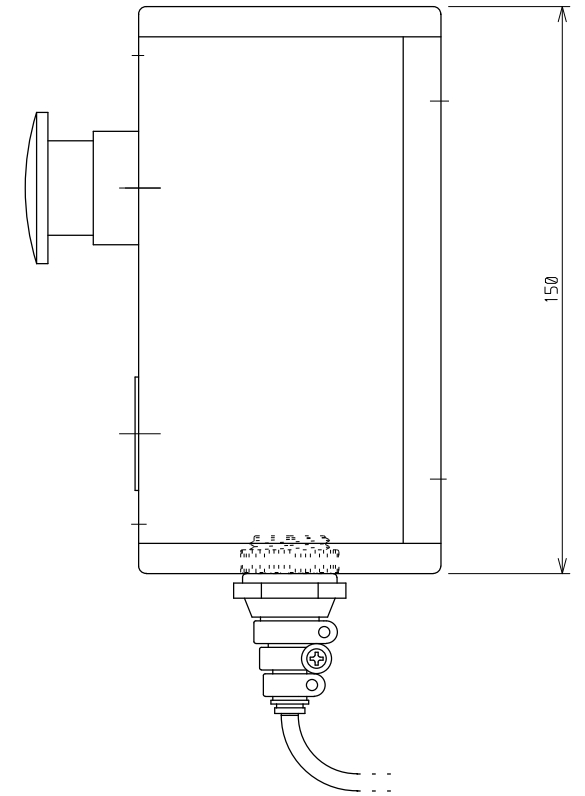
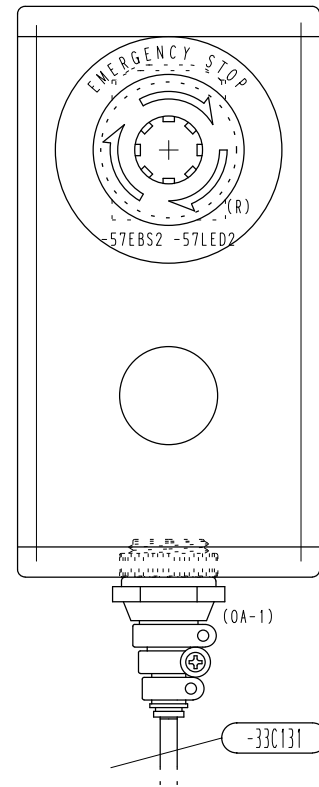
手元操作BOX 06A (BHS06A)
OPERATION BOX 06A (BHS06A)

(中継BOX側)
(JUNCTION BOX SIDE)



手元操作BOX 06B (BHS06B)
OPERATION BOX 06B (BHS06B)

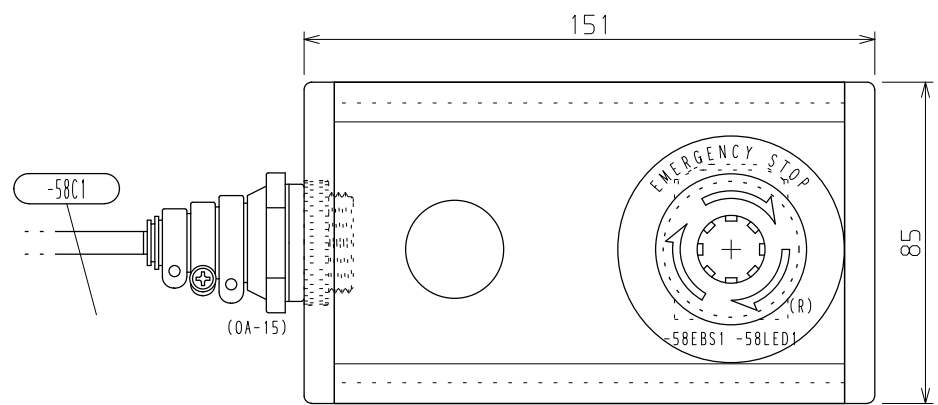
(背面側取付)
(BACK SIDE)



REV.							PRODUCT NO.	手元操作BOX6A, B(BHS6A, B) OPERATION BOX 6A, B(BHS6A, B)	TITLE	手元操作BOX6A, B(BHS6A, B) OPERATION BOX 6A, B(BHS6A, B)	SH. NO.
							NPC Incorporated	DWG. NO	18004681-24-OP	012	

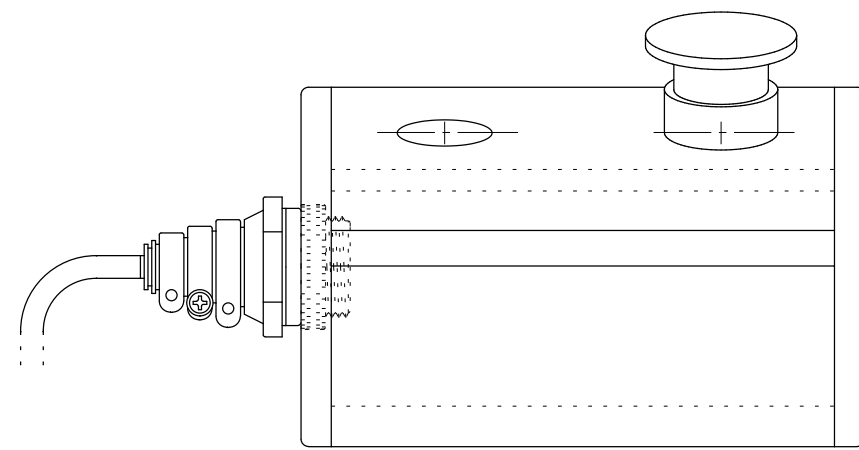
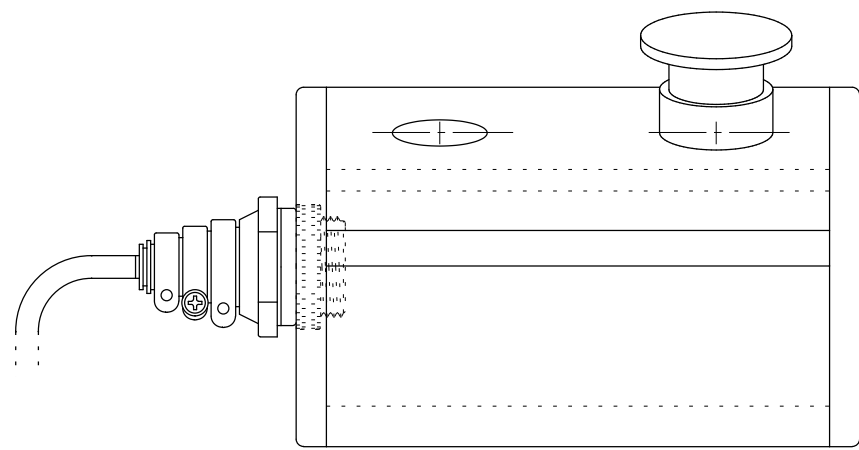
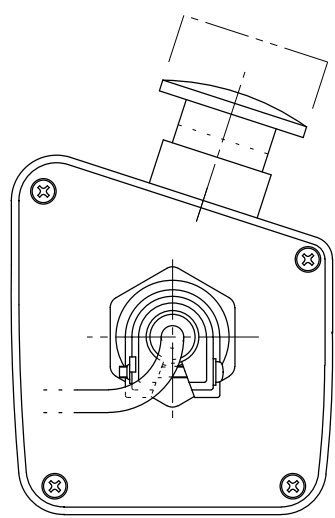
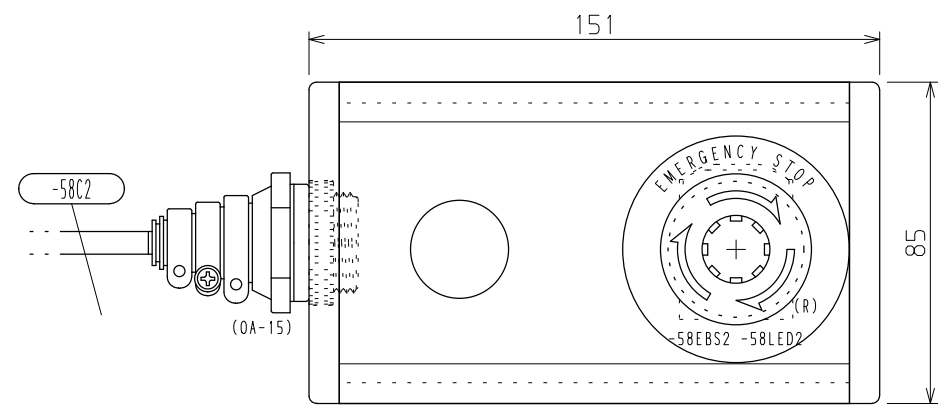
手元操作BOX 07A (BHS07A)
OPERATION BOX 07A (BHS07A)

(正面側取付)
(FRONT SIDE)

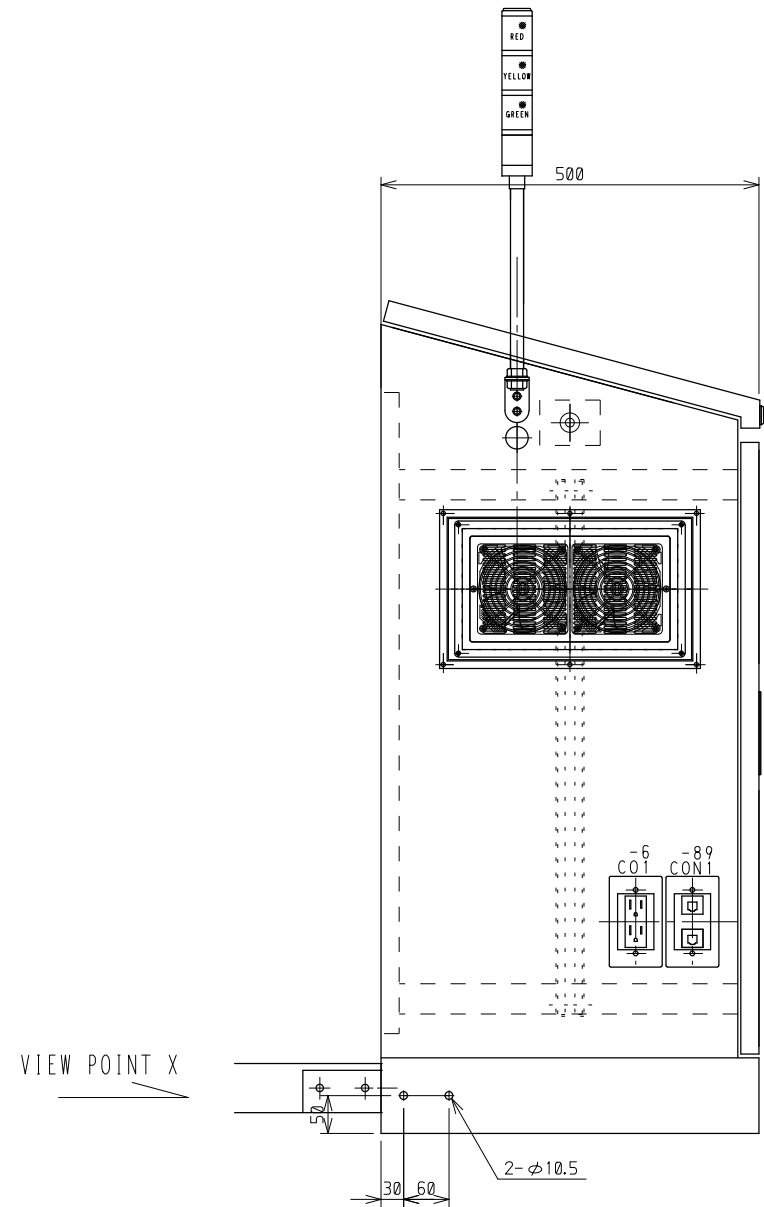


手元操作BOX 07B (BHS07B)
OPERATION BOX 07B (BHS07B)

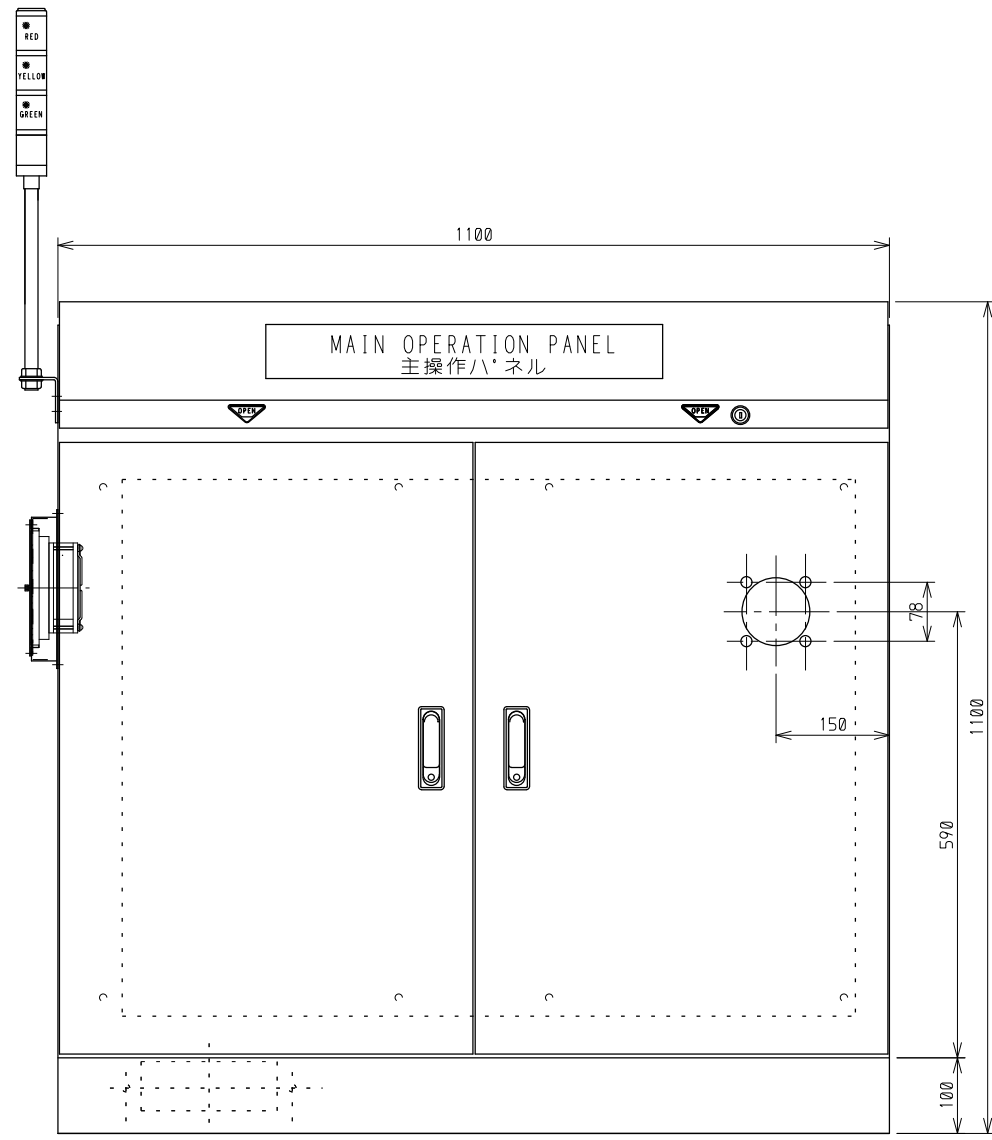
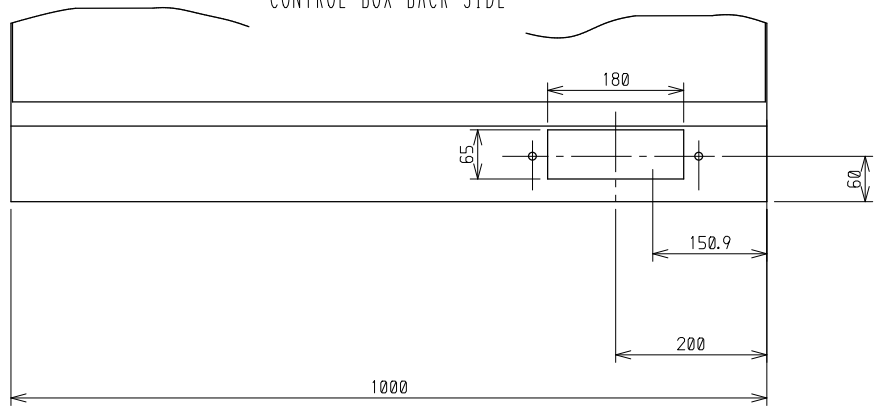
(背面側取付)
(BACK SIDE)



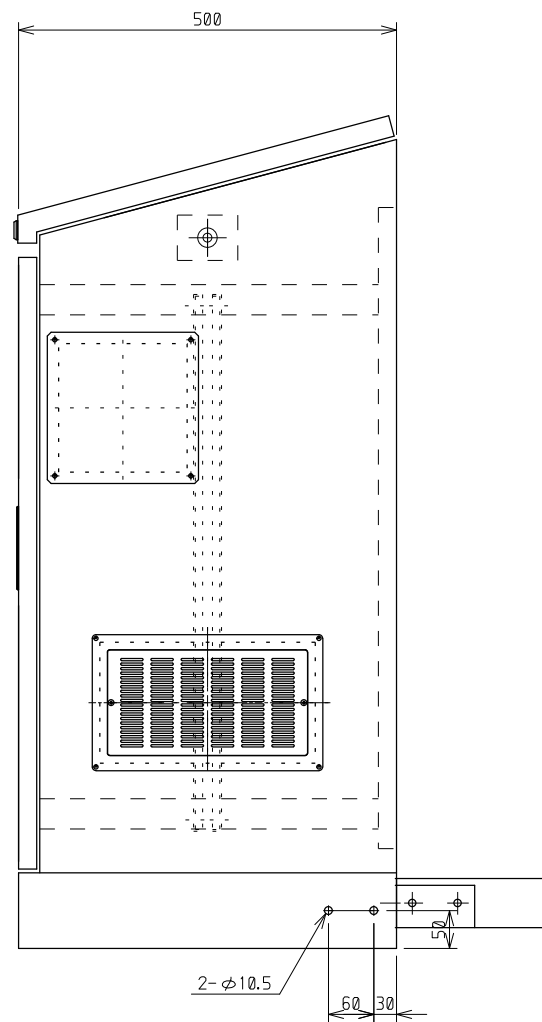
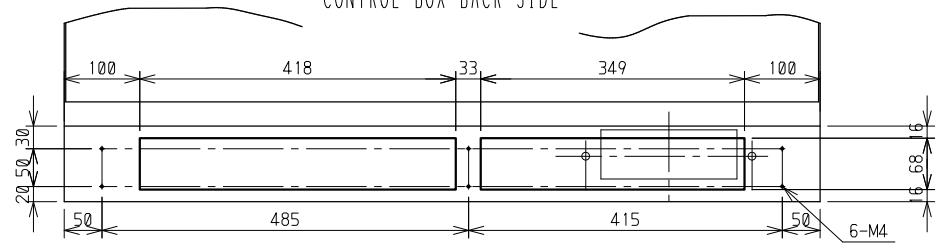
REV.							PRODUCT NO.	手元操作BOX7A, B(BHS7A, B) OPERATION BOX 7A, B(BHS7A, B)	TITLE	手元操作BOX7A, B(BHS7A, B) OPERATION BOX 7A, B(BHS7A, B)	SH. NO.
							NPC Incorporated		DWG. NO	18004681-24-OP	013



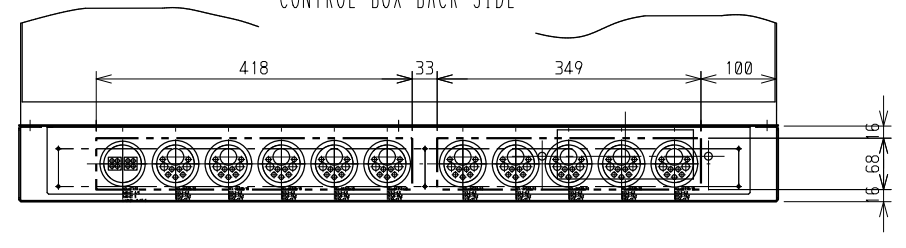
矢視 A 窓
View A
制御BOX背面
CONTROL BOX BACK SIDE



矢視 A 窓
View A
制御BOX背面
CONTROL BOX BACK SIDE



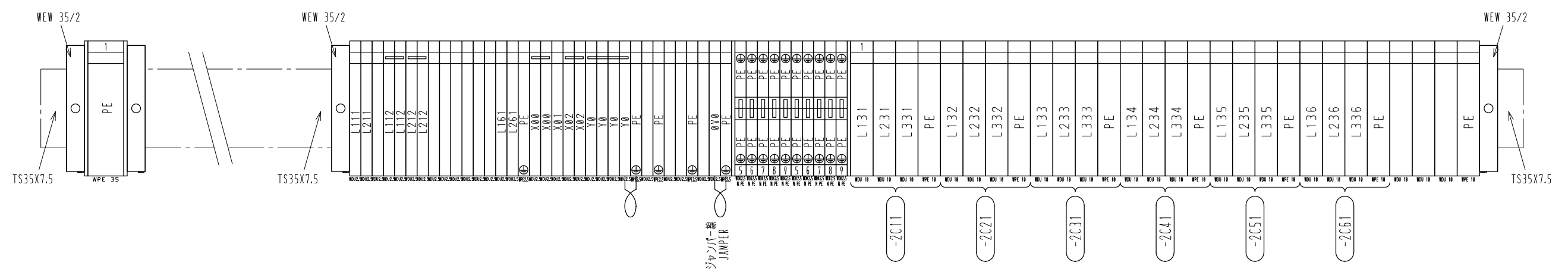
矢視 A 窓
View A
制御BOX背面
CONTROL BOX BACK SIDE



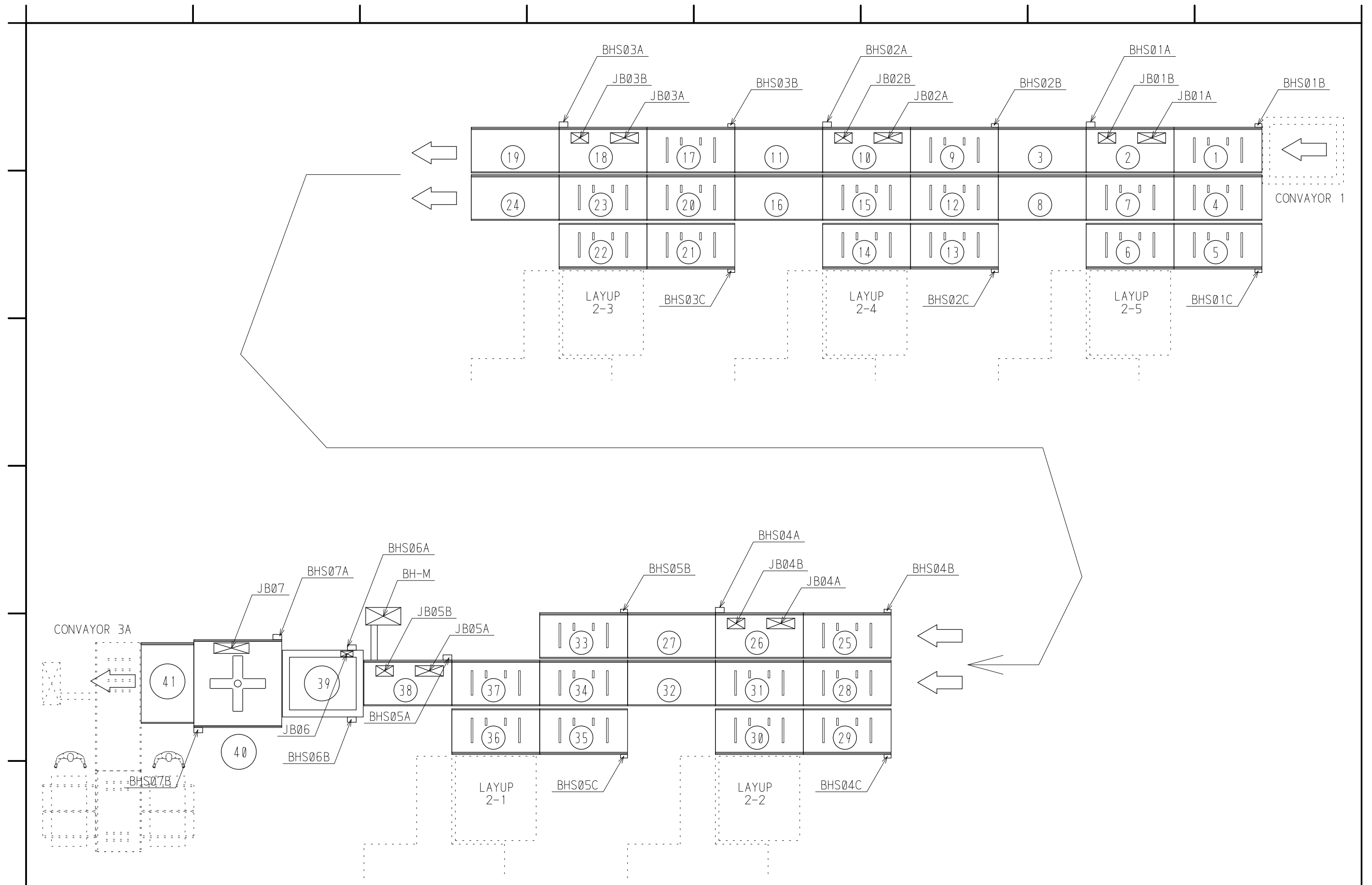
REV.							PRODUCT NO.	×1 制御BOX (BC-M) MAIN CONTROL BOX (BC-M)	TITLE	制御BOX概観図 MAIN CONTROL BOX OUTLINE DRAWING	SH. NO.
							NPC Incorporated	DWG. NO	18004681-24-LD	001	

TB02

WPE 35	(1P)	WDU 2.5	(35P)
WDU 10	(21P)	WPE 2.5	(5P)
WPE 10	(7P)	WDK 2.5NPE	(10P)



REV.						PRODUCT NO.	メイン制御BOX(BC-M) MAIN CONTROL BOX(BC-M)	TITLE	端子台配置図(2/2). TERMINAL BOX LAYOUT(2/2)	SH. NO.
						NPC Incorporated		DWG. NO	18004681-24-LD	005



REV.								PRODUCT NO.	全網 OVERALL VIEW	TITLE	全網 OVERALL VIEW	SH. NO.
								NPC Incorporated	DWG. NO	18004681-24-LD	010	

A

B

C

D

E

F

G

H

1

2

3

4

5

6

								PRODUCT NO.	全体図 OVERALL VIEW	TITLE	ETHERNET/IP 系統図 ETHERNET/IP DIAGRAM	SH. NO.
								 NPC Incorporated	DWG. NO	18004681-24-LD	011	
REV.				REV.								

A

B

C

D

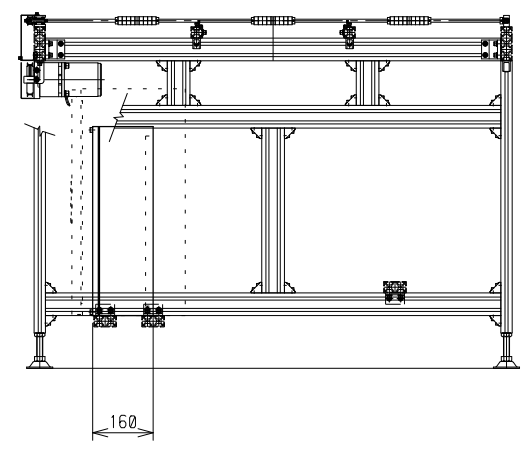
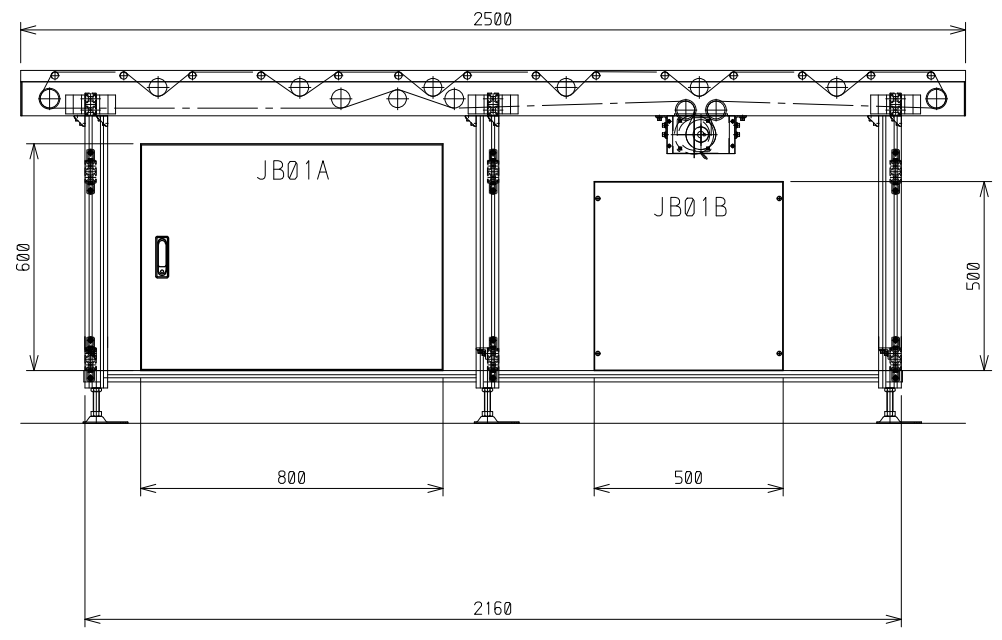
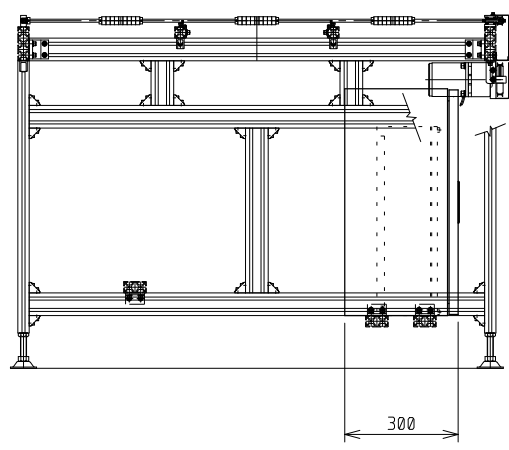
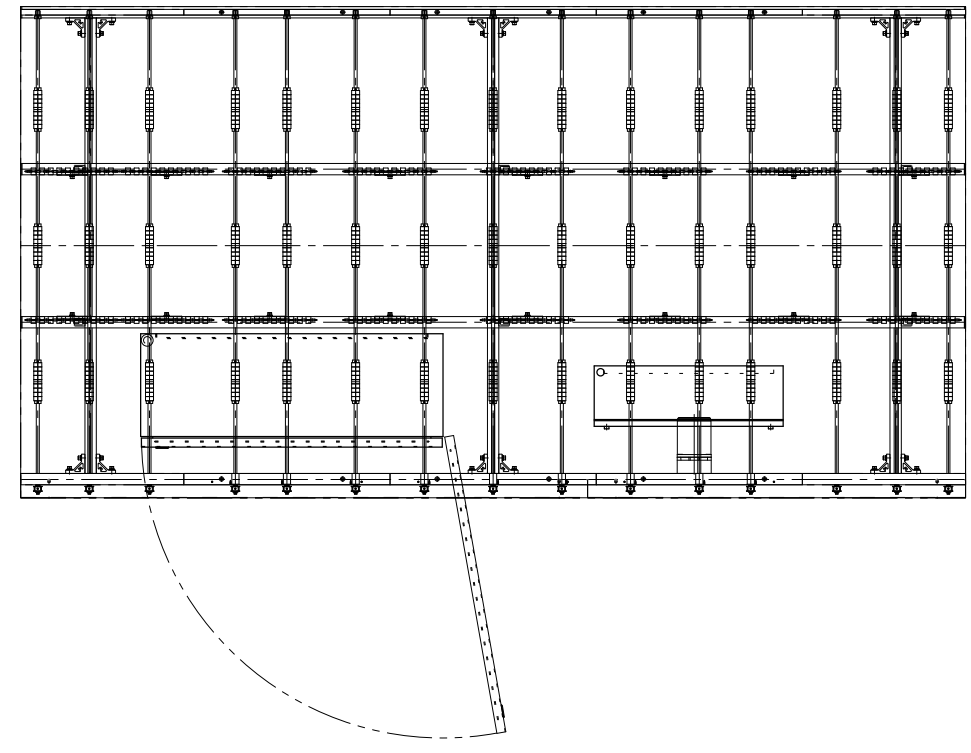
E


F

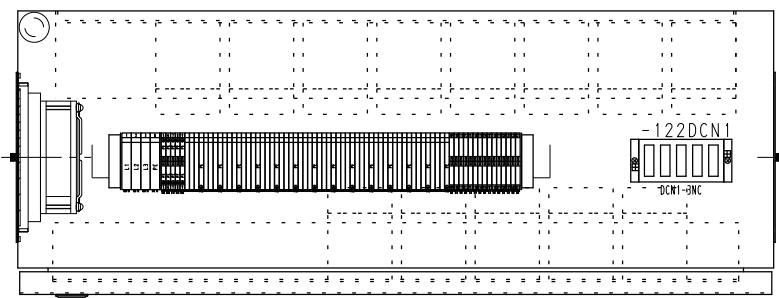
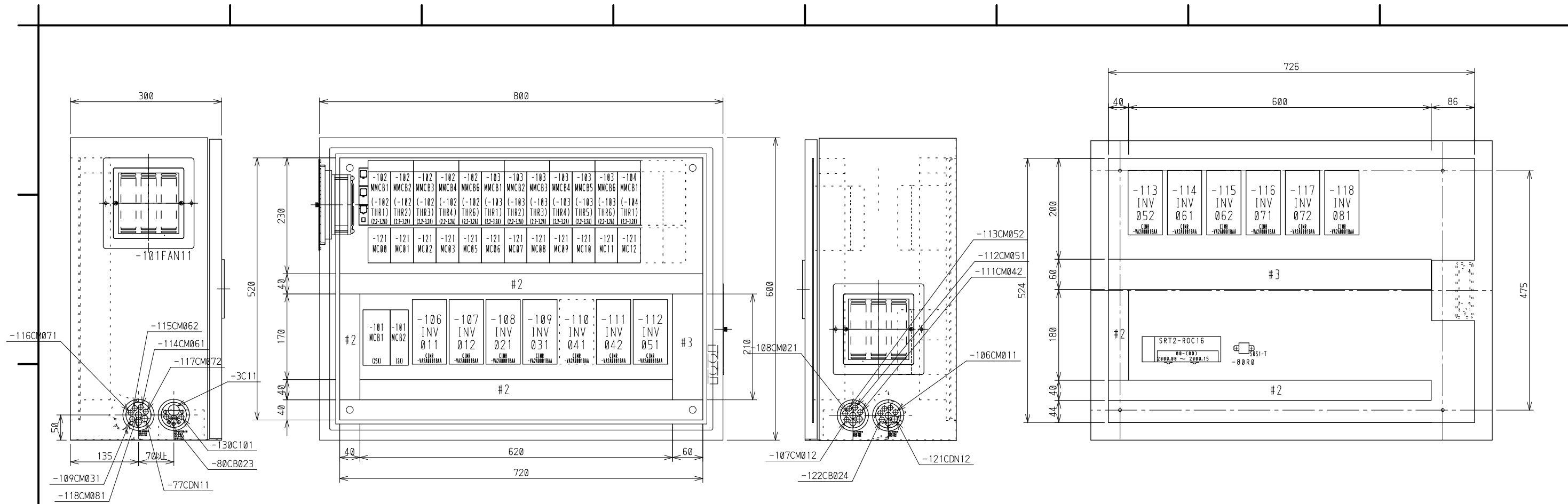
G

H

Direction of Module

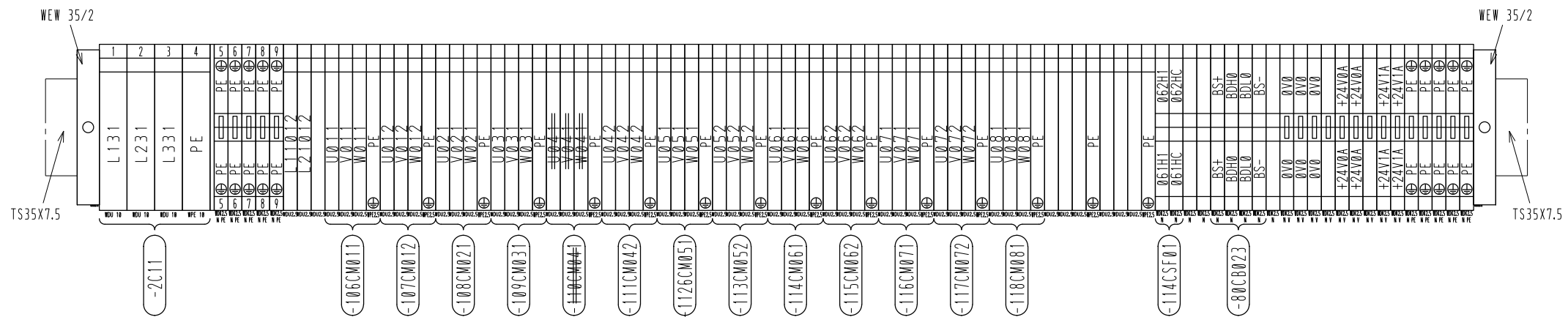


REV.								PRODUCT NO.	コンヤ 2 CONVAYOR 2	TITLE	中継BOX 01A, B外観図(JB01A, B) JUNCTION BOX 1(JB01A, B)	SH. NO.	
								 NPC Incorporated		DWG. NO	18004681-24-OD	101	

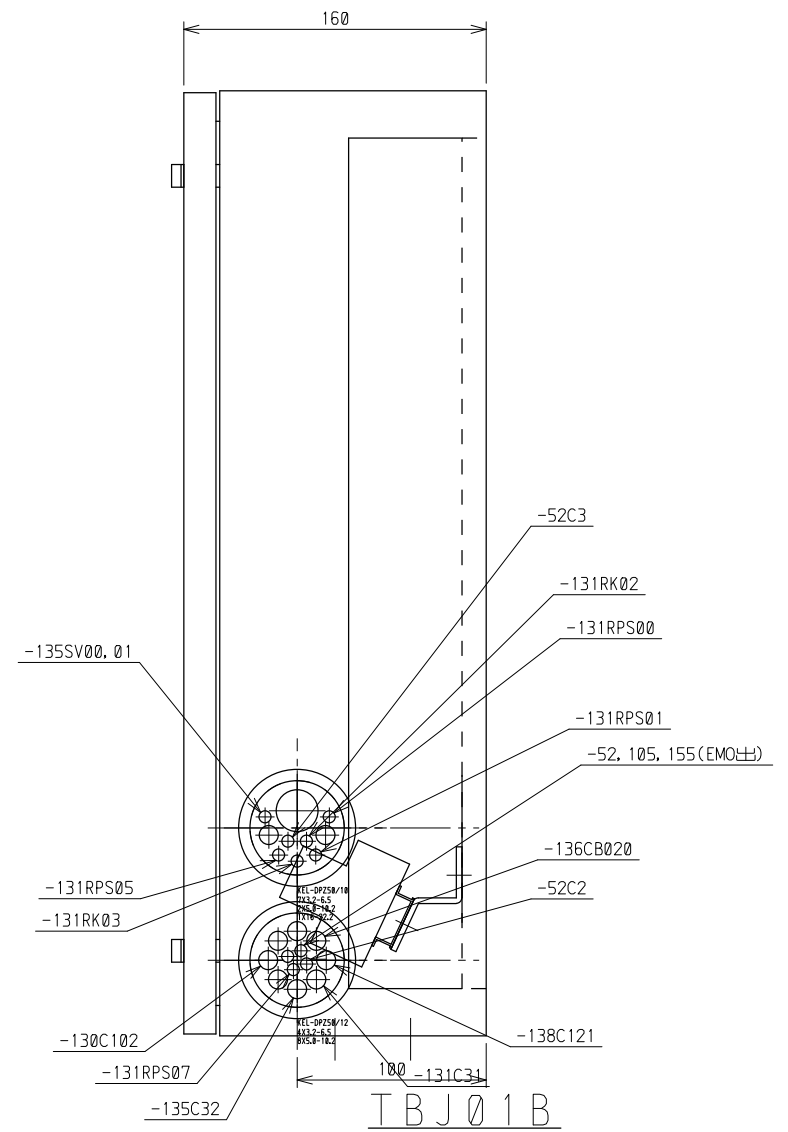
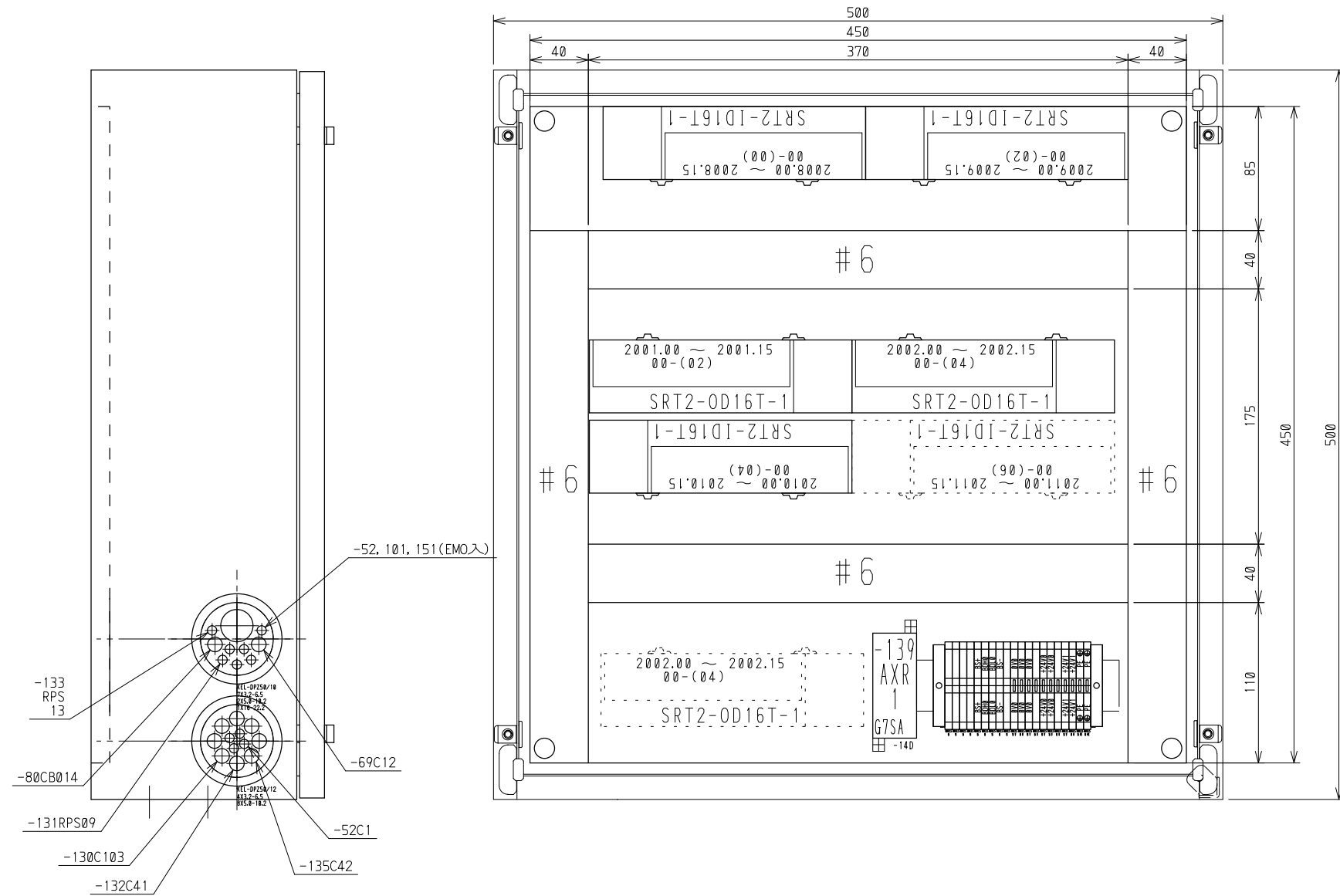


TBJ01A

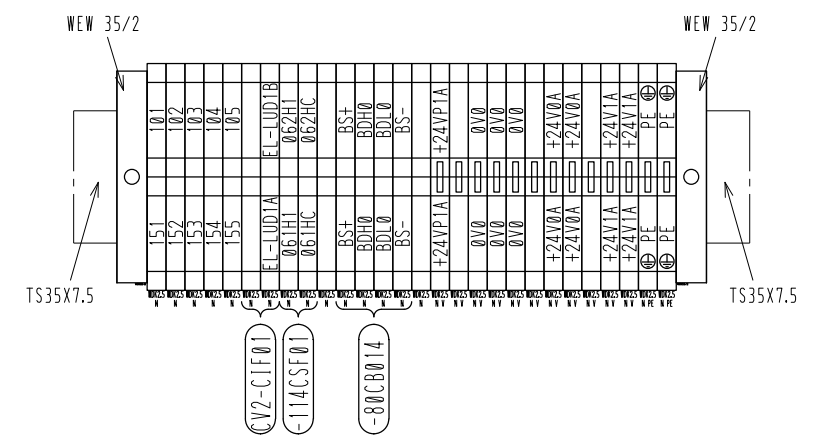
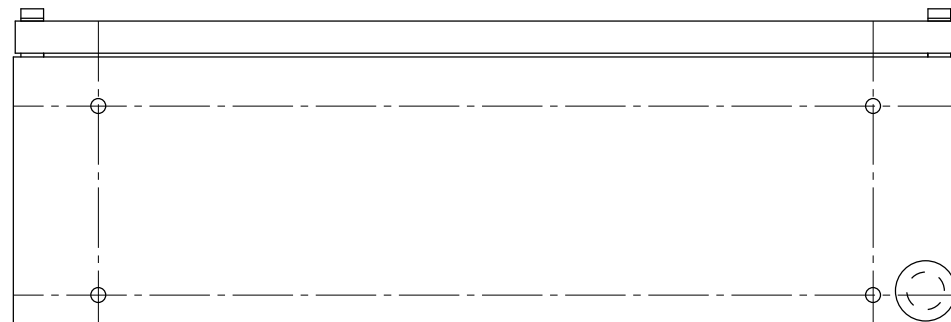
WDU 10 (3P)	WDK 2.5N (9P)
WPE 10 (1P)	WDK 2.5NV (9P)
WDU 2.5 (48P)	WDK 2.5NPE (10P)
WPE 2.5 (15P)	



REV.		REV.	PRODUCT NO.	コンヤ 2 CONVAYOR 2	TITLE	中継BOX 01A詳細図 (JB01A) JUNCTION BOX 01A (JB01A)	SH. NO.
			NPC Incorporated		DWG. NO	18004681-24-OD	102

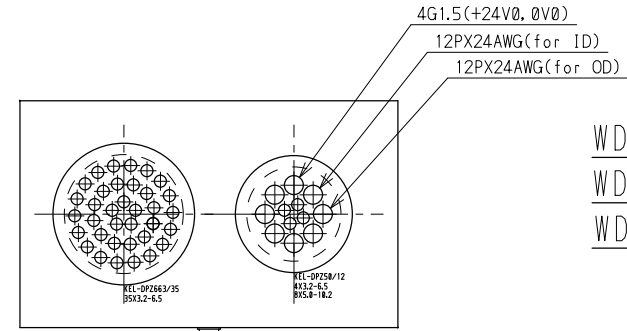
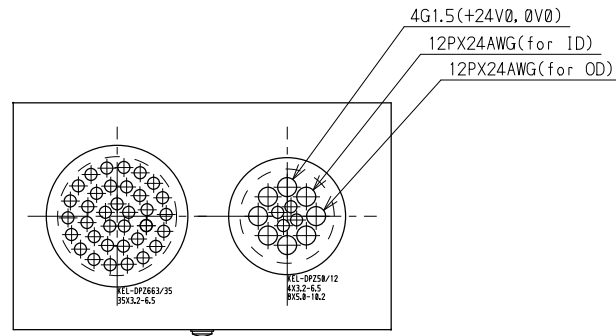


WDK 2.5N (15P)
 WDK 2.5NV (11P)
 WDK 2.5NPE (2P)



#6 : W40×H60 CABLE DUCT

REV.						PRODUCT NO.	コンヤ 2 CONVAYOR 2	TITLE	中継BOX 01B詳細図 (JB01B) JUNCTION BOX 01B (JB01B)	SH. NO.
						NPC Incorporated		DWG. NO	18004681-24-OD	103

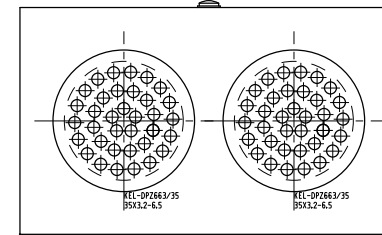
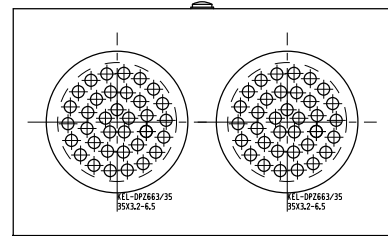
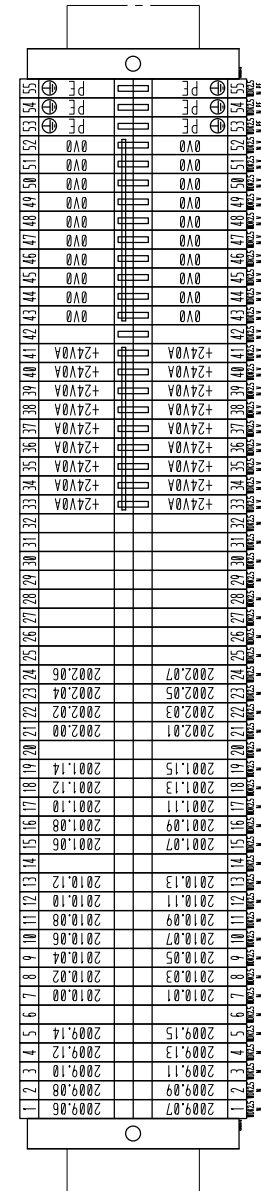
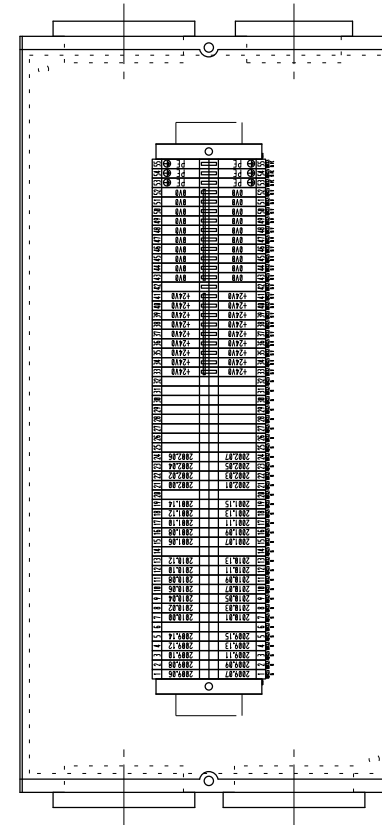
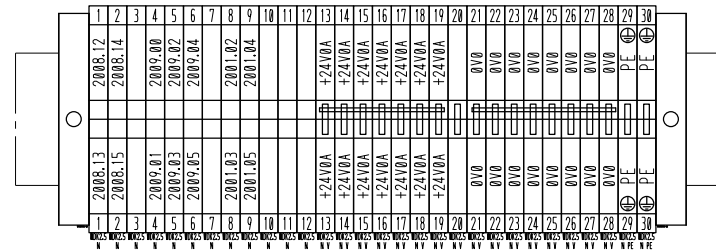
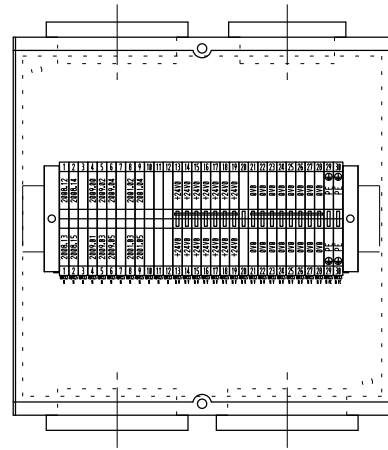


TBJ01D

WDK 2.5N	(32P)
WDK 2.5NV	(20P)
WDK 2.5NPE	(3P)

TBJ01C

WDK 2.5N	(12P)
WDK 2.5NV	(16P)
WDK 2.5NPE	(2P)



REV.		PRODUCT NO.	コンヤ 2 CONVAYOR 2	TITLE	中継BOX 01C, D詳細図 (JB01C, D) JUNCTION BOX 01C, D (JB01C, D)	SH. NO.	
		NPC Incorporated		DWG. NO	18004681-24-OD	104	

A

B

C

D

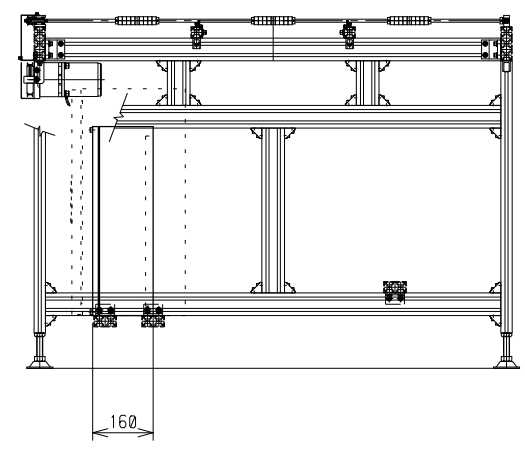
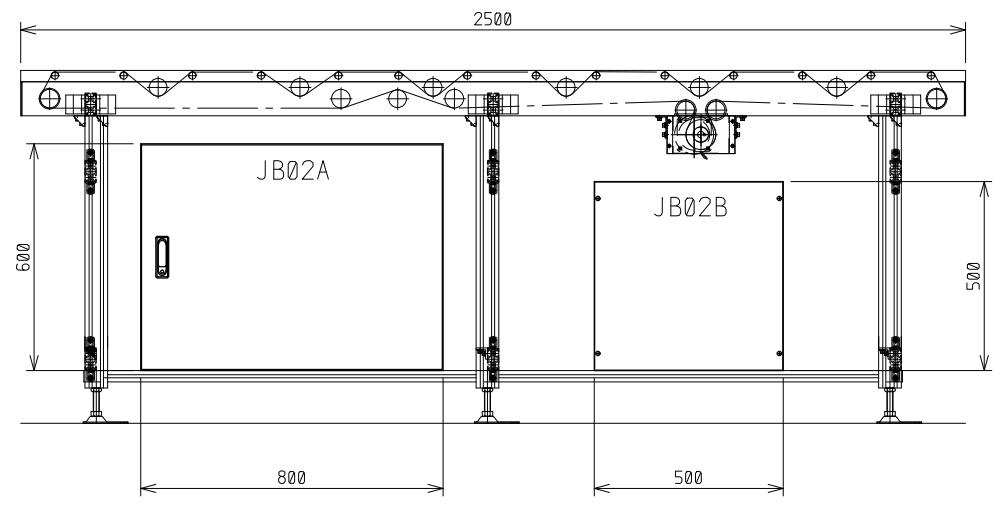
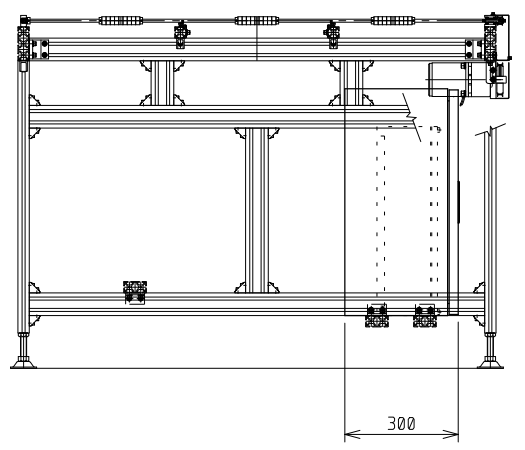
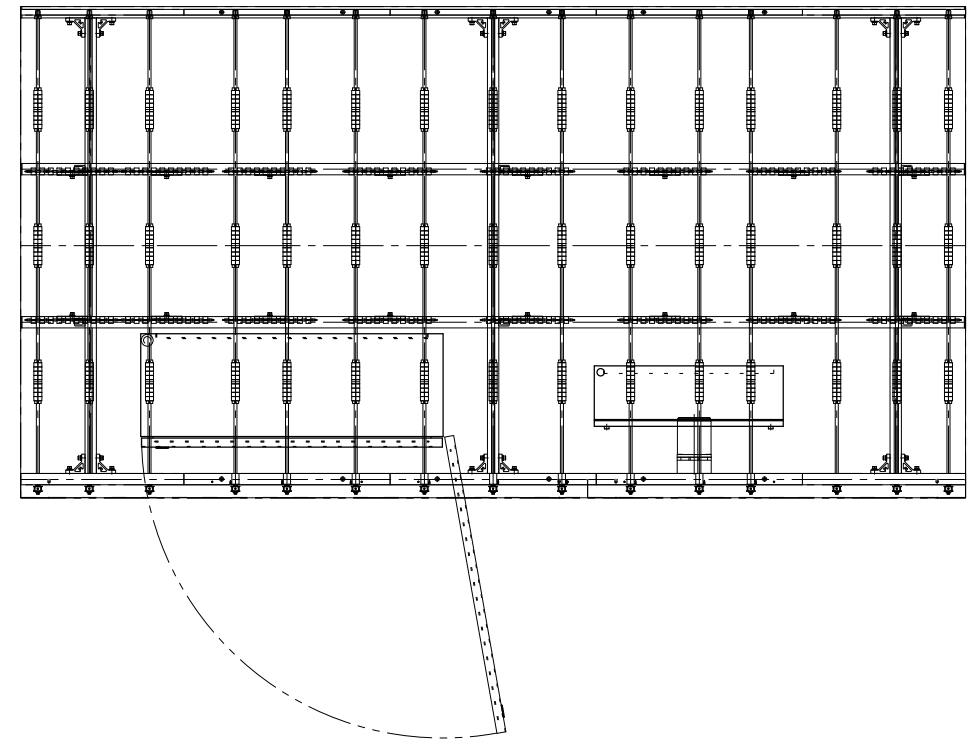
E

F

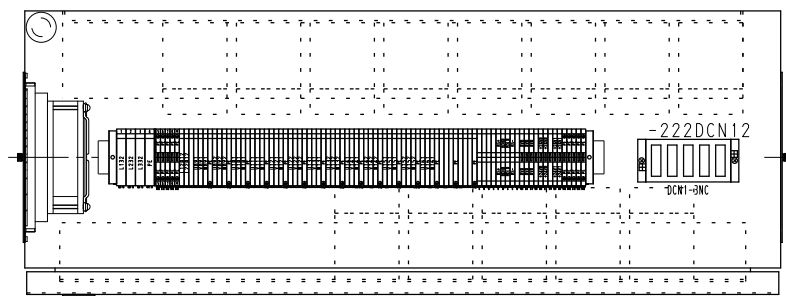
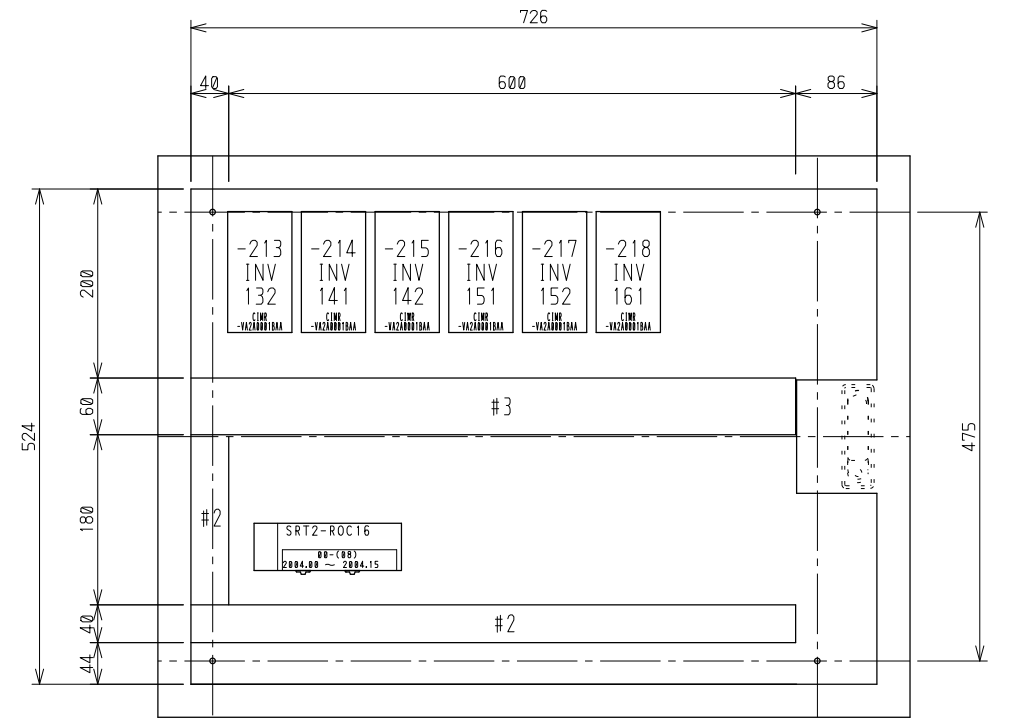
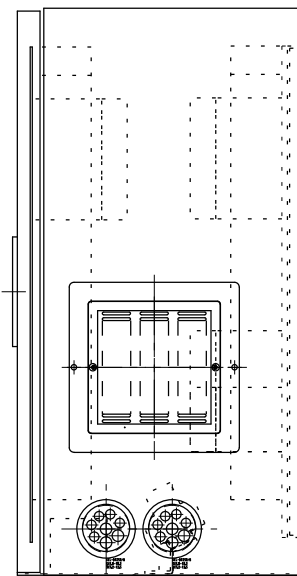
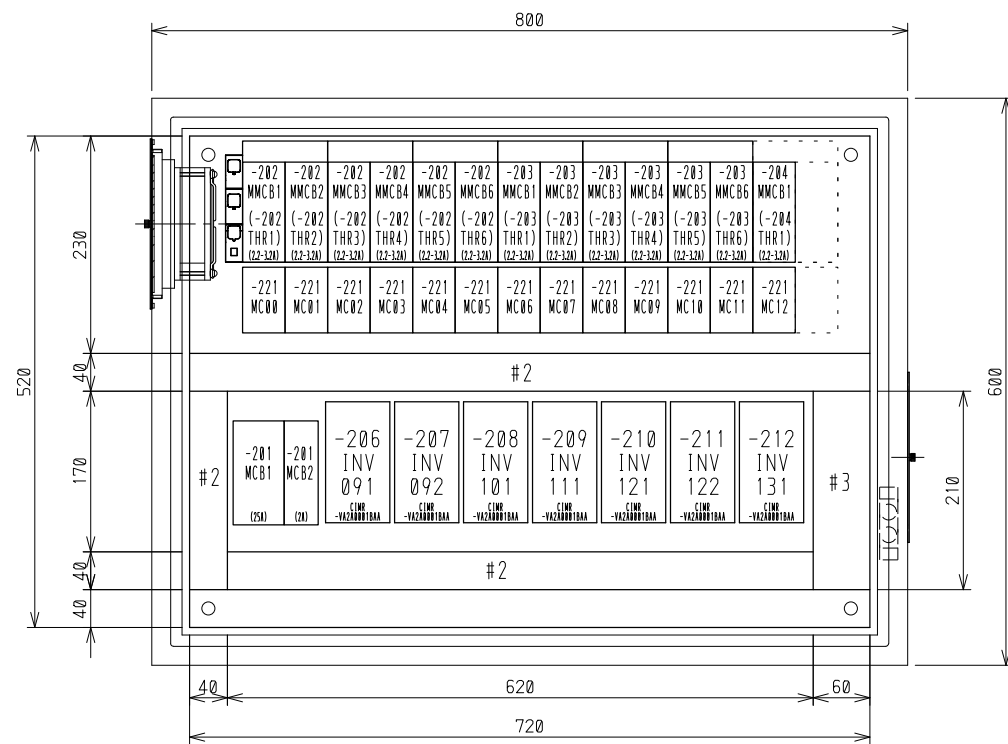
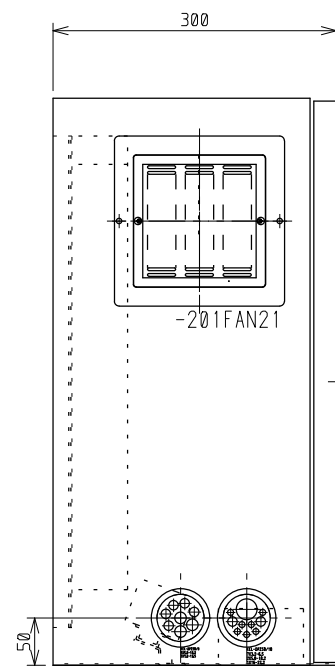
G

H

Direction of Module

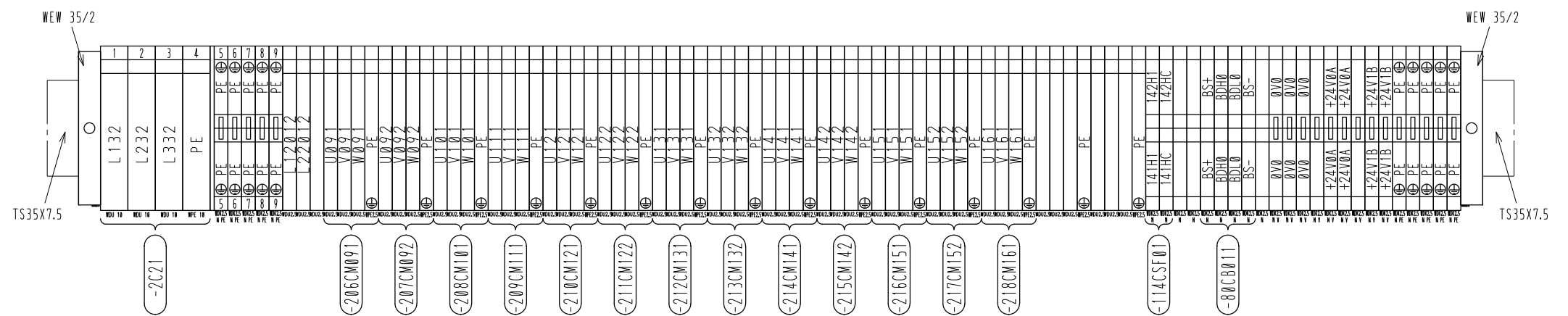


REV.							PRODUCT NO.	コンベヤ 10 CONVAYOR 10	TITLE	中継BOX 02A, B外観図(JB02A, B) JUNCTION BOX 2(JB02A, B)	SH. NO.
							NPC Incorporated		DWG. NO	18004681-24-OD	201

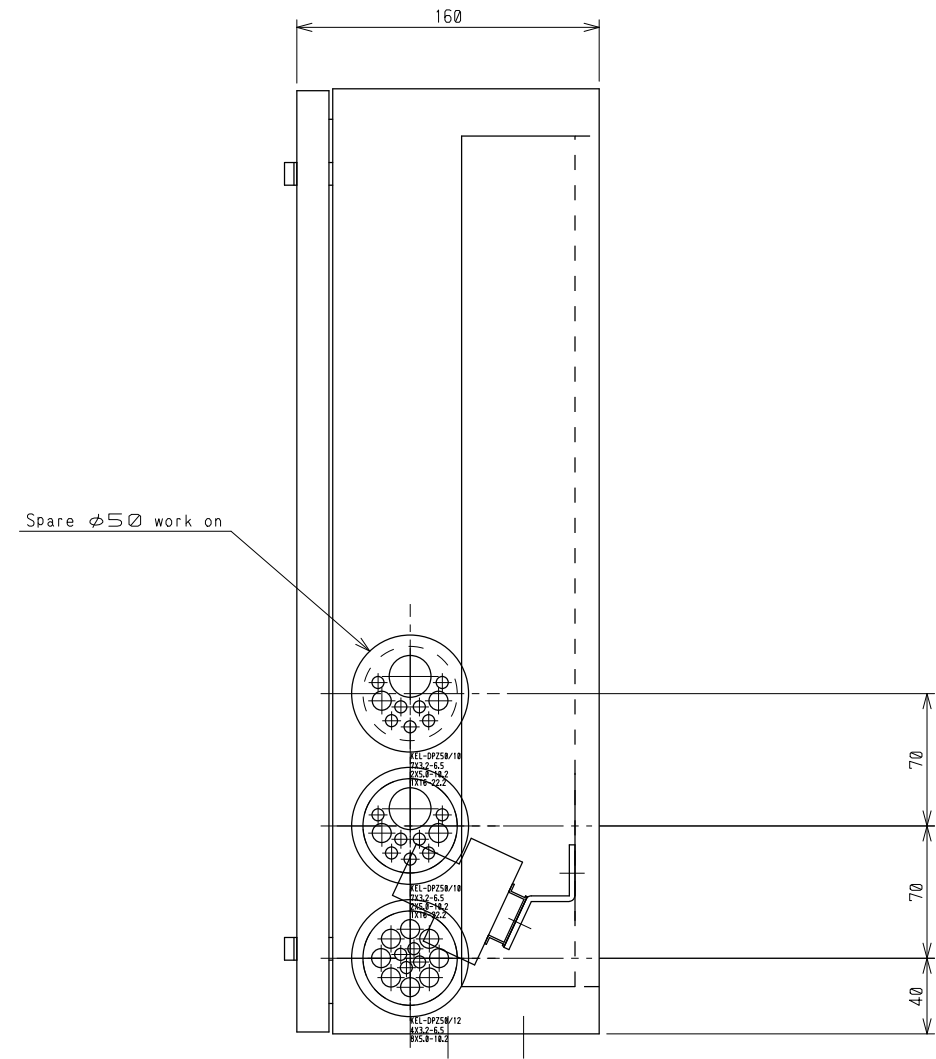
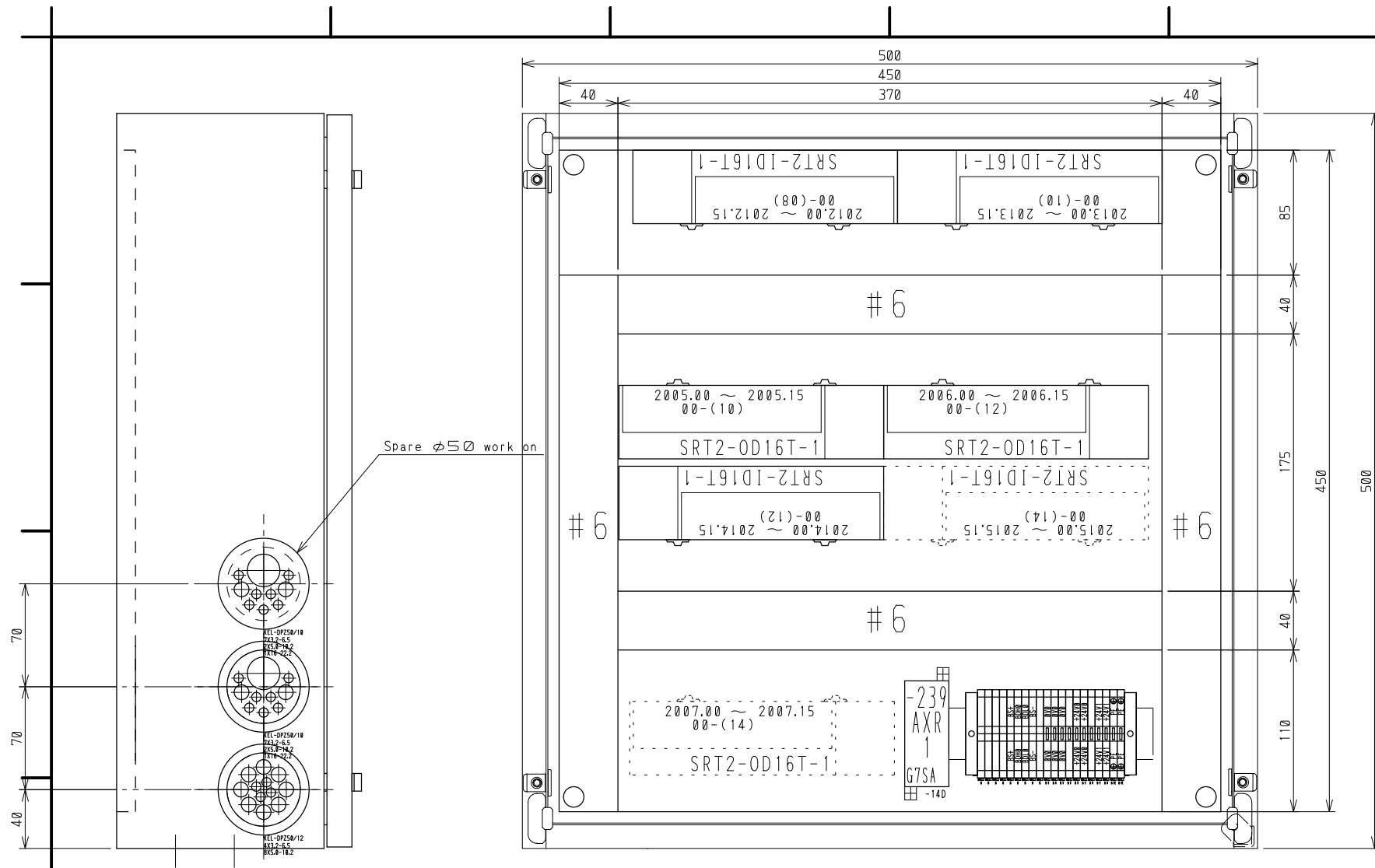


TBJ02A

WDU 10 (3P)	WDK 2.5N (9P)
WPE 10 (1P)	WDK 2.5NV (9P)
WDU 2.5 (48P)	WDK 2.5NPE (10P)
WPE 2.5 (15P)	

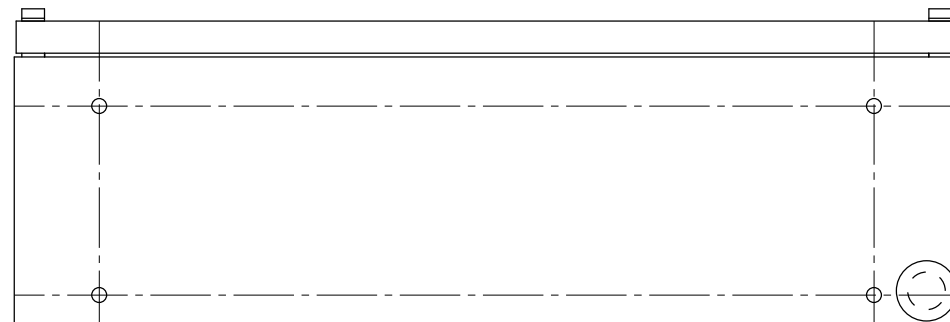


PRODUCT NO.	コンヤ 10 CONVAYOR 10	TITLE	中継BOX 02A詳細図 (JB02A) JUNCTION BOX 02A (JB02A)	SH. NO.
REV.		DWG. NO	18004681-24-OD	202

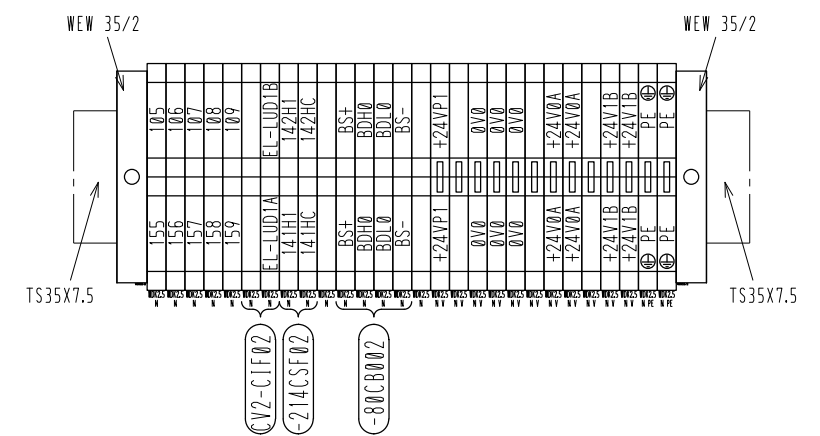


TBJ02B

WDK 2.5N (15P)
 WDK 2.5NV (11P)
 WDK 2.5NPE (2P)



#6 : W40×H60 CABLE DUCT



REV.					PRODUCT NO.	コンヤ 10 CONVAYOR 10	TITLE	中継BOX 02B詳細図 (JB02B) JUNCTION BOX 02B (JB02B)	SH. NO.
					NPC Incorporated		DWG. NO	18004681-24-OD	203

A

B

C

D

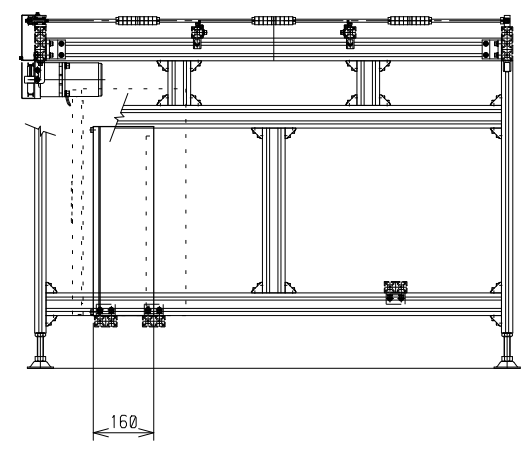
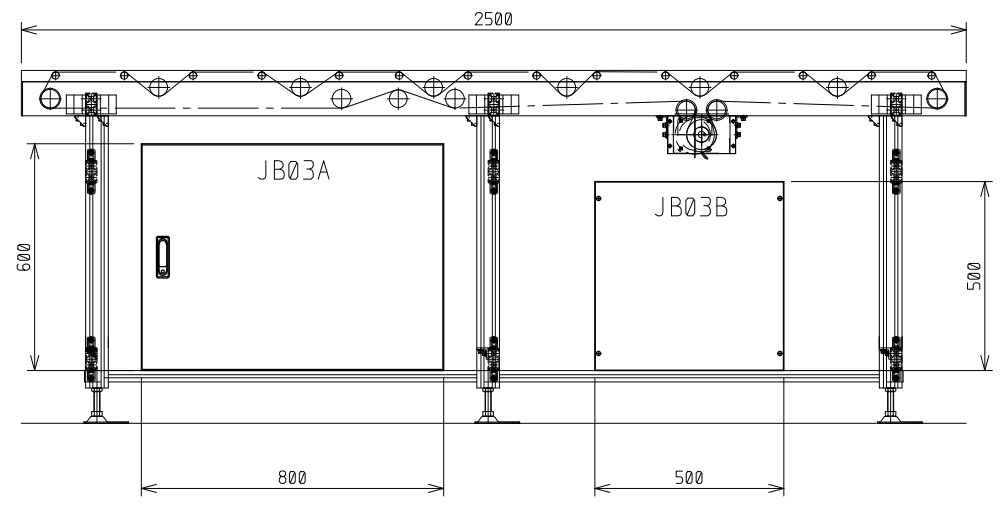
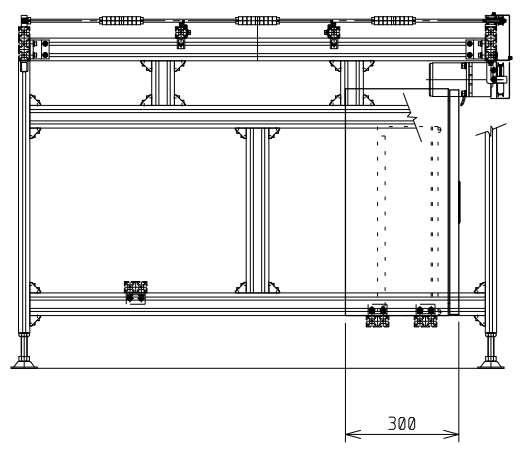
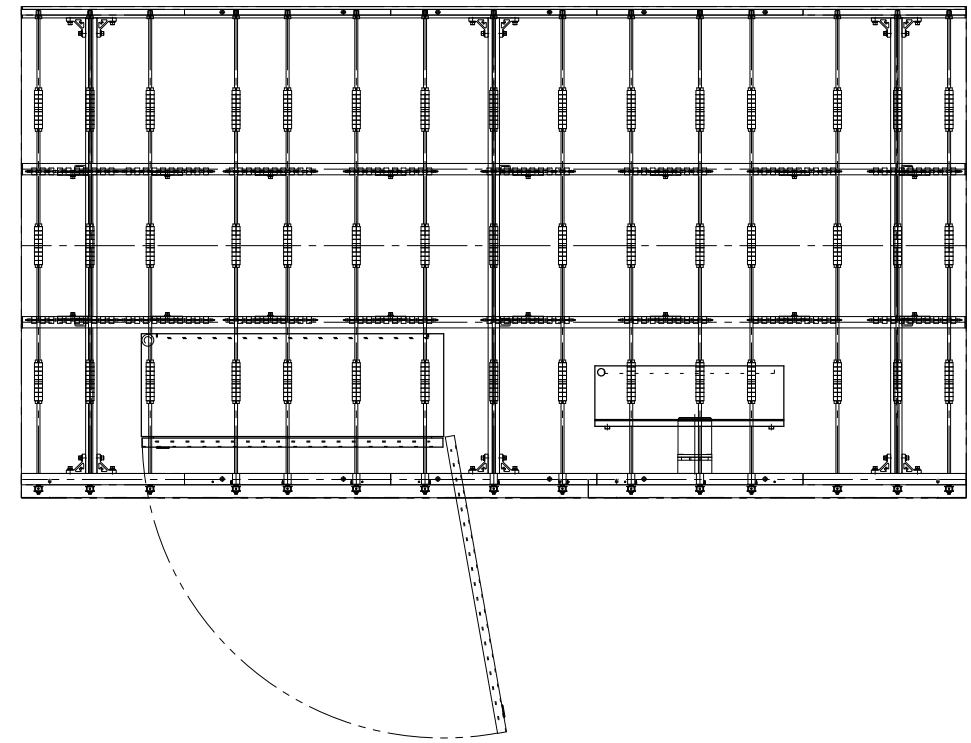
E

F

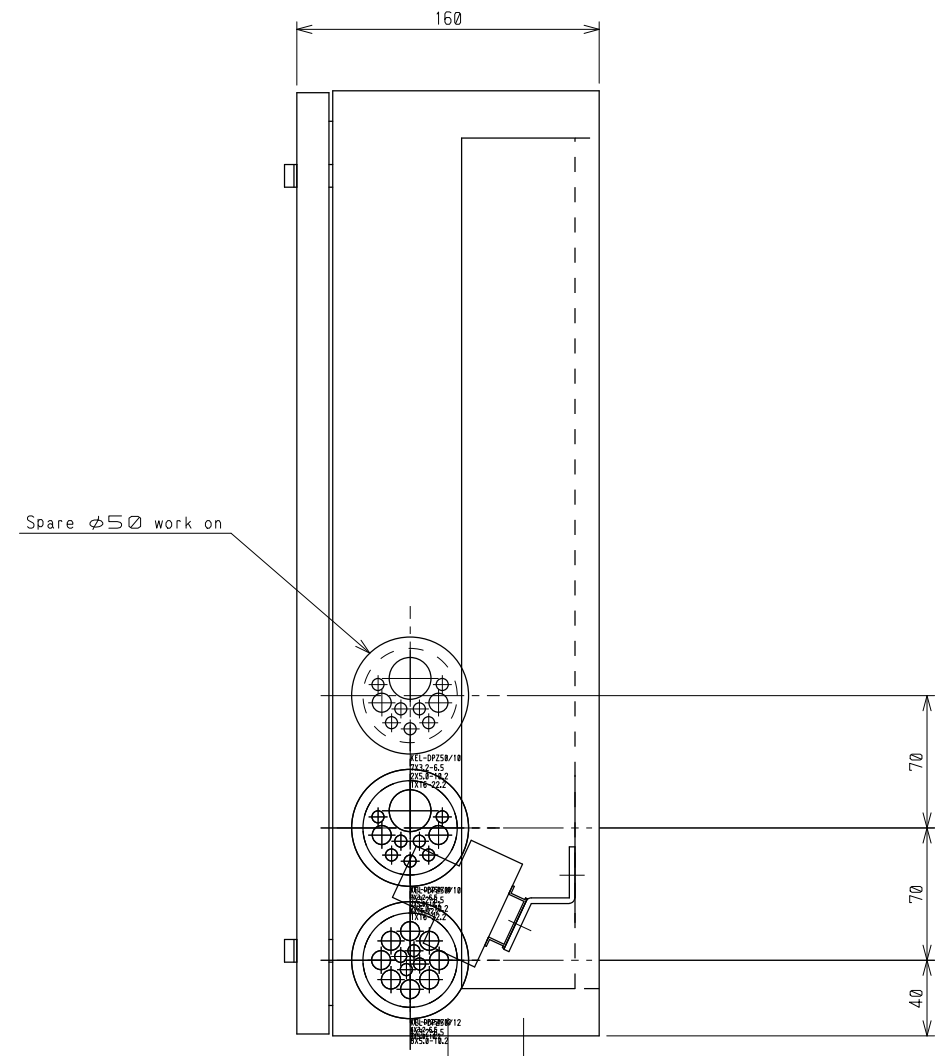
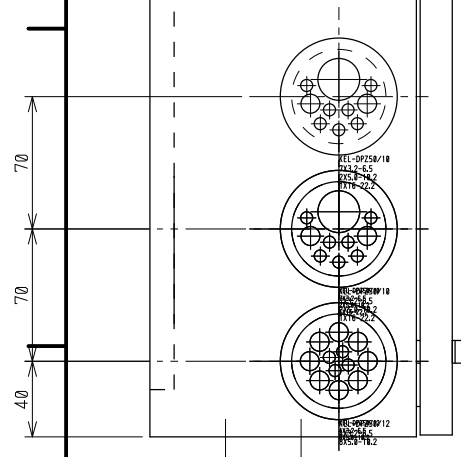
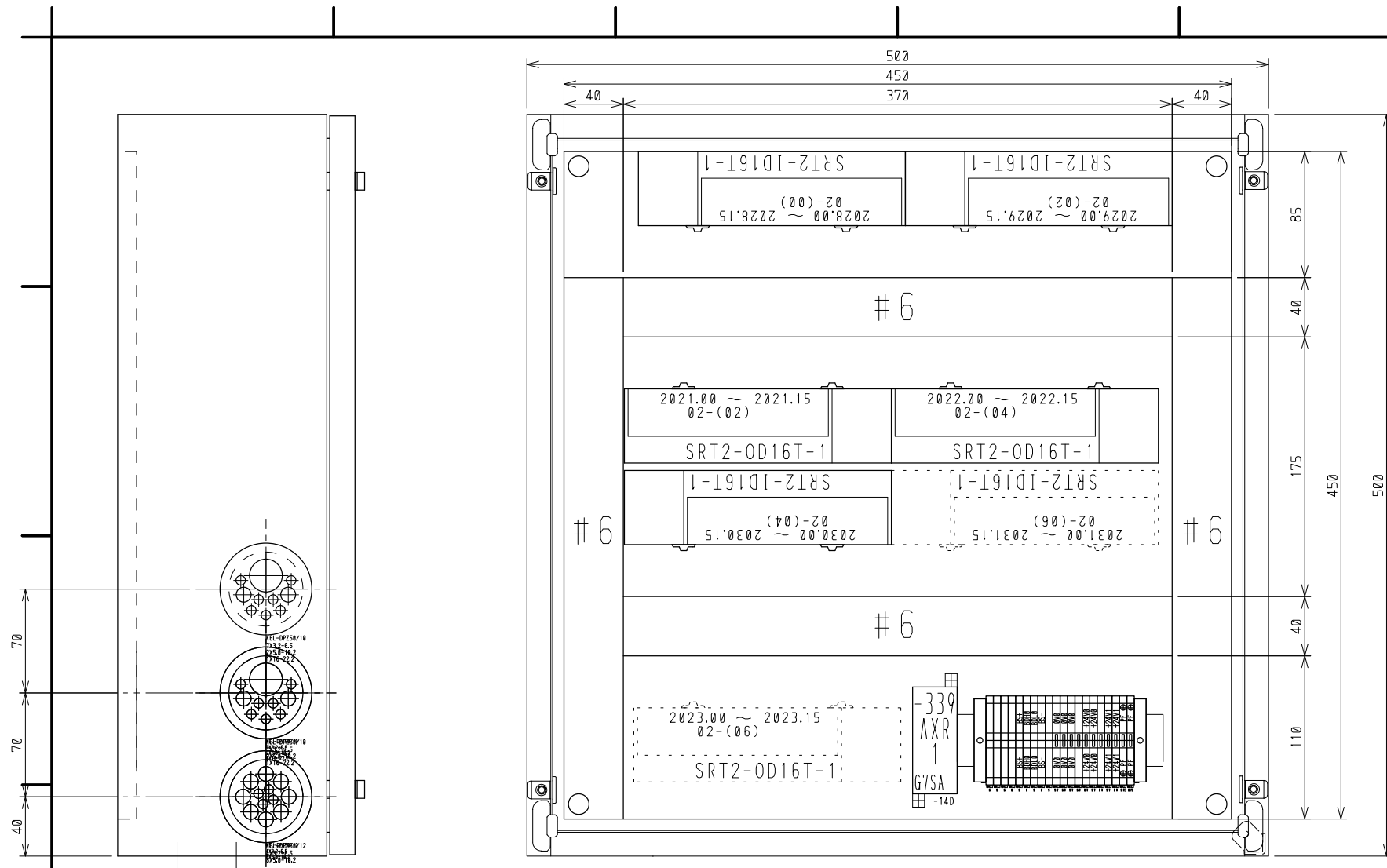
G

H

Direction of Module

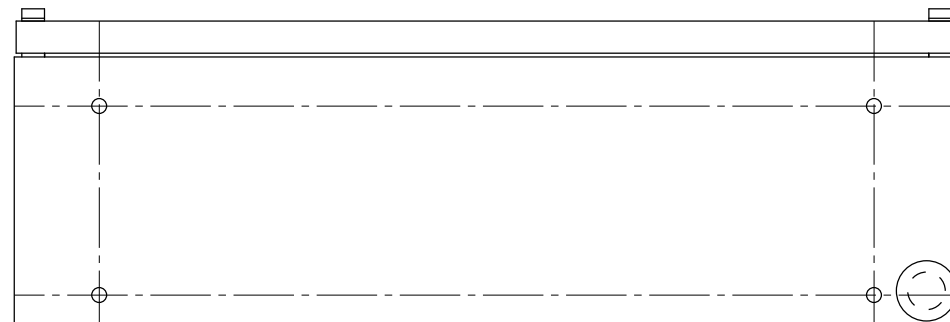


REV.								PRODUCT NO.	コンベヤ 18 CONVAYOR 18	TITLE	中継BOX 03A, B外観図(JB03A, B) JUNCTION BOX 3(JB03A, B)	SH. NO.	
								NPC Incorporated		DWG. NO	18004681-24-OD	301	

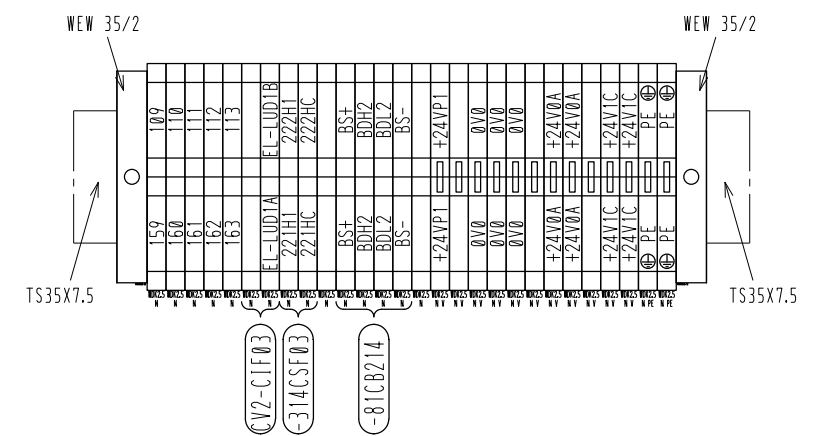


TBJ03B

WDK 2.5N (15P)
 WDK 2.5NV (11P)
 WDK 2.5NPE (2P)



#6 : W40×H60 CABLE DUCT



PRODUCT NO.

コンヤ 18
 CONVAYOR 18

TITLE

中継BOX 03B詳細図 (JB03B)
 JUNCTION BOX 03B (JB03B)

SH. NO.

REV.

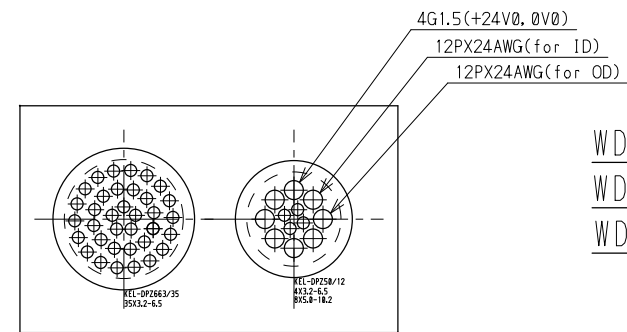
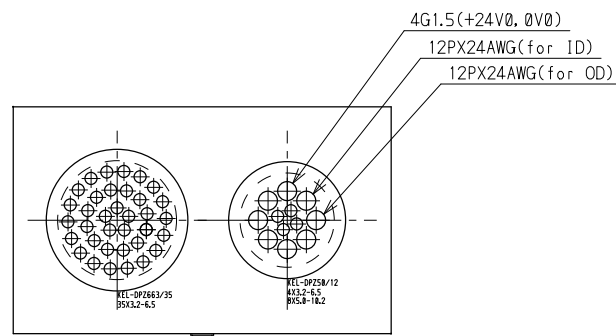
REV.

NPC Incorporated

DWG. NO

18004681-24-OD

303

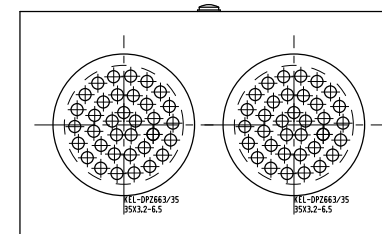
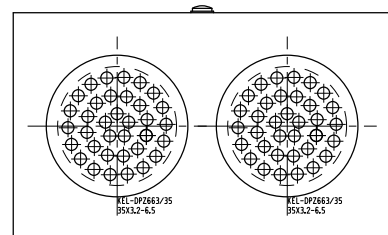
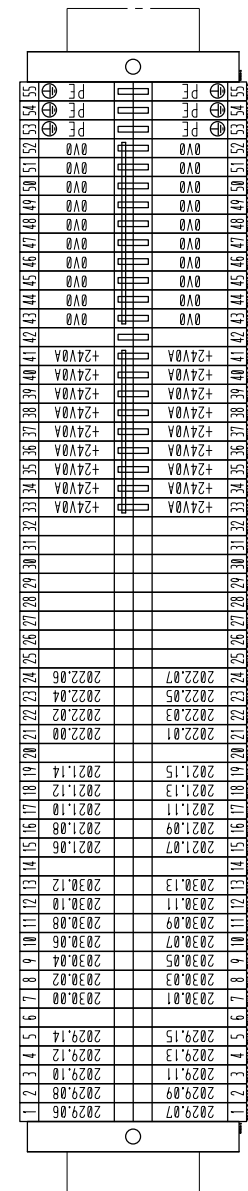
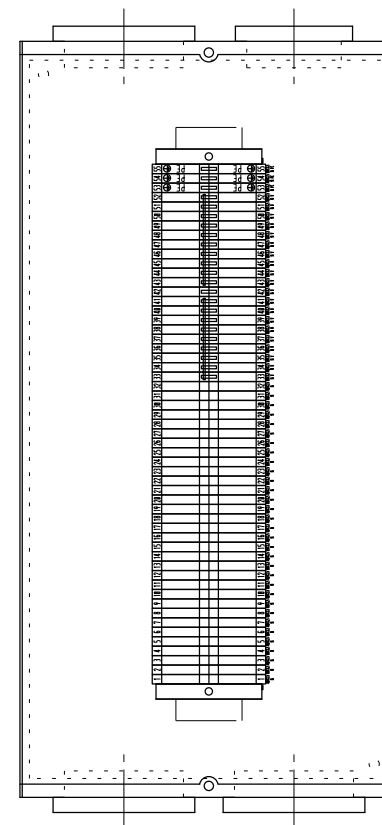
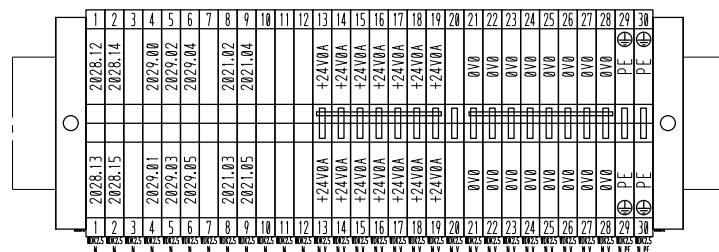
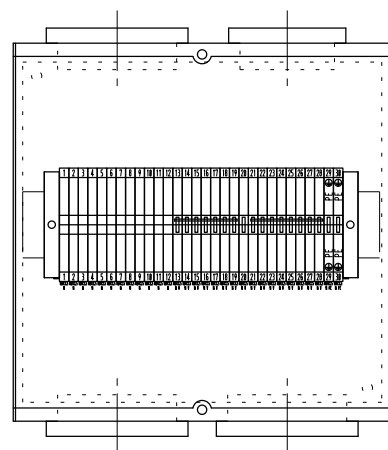


TBJ03D

WDK 2.5N	(32P)
WDK 2.5NV	(20P)
WDK 2.5NPE	(3P)

TBJ03C

WDK 2.5N	(12P)
WDK 2.5NV	(16P)
WDK 2.5NPE	(2P)



REV.		PRODUCT NO.	コンヤ 18 CONVAYOR 18	TITLE	中継BOX 03C, D詳細図 (JB03C, D) JUNCTION BOX 03C, D (JB03C, D)	SH. NO.	
				DWG. NO	18004681-24-OD		
		NPC Incorporated					304

A

B

C

D

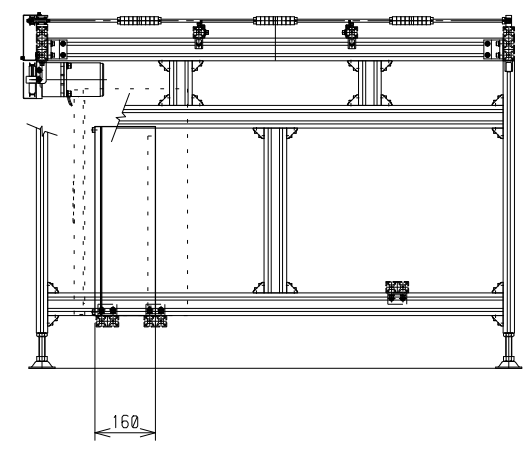
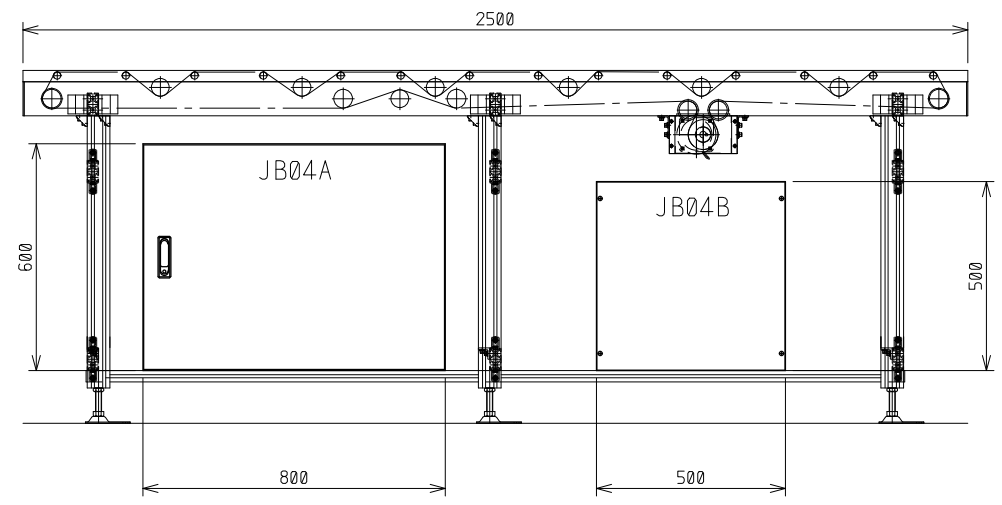
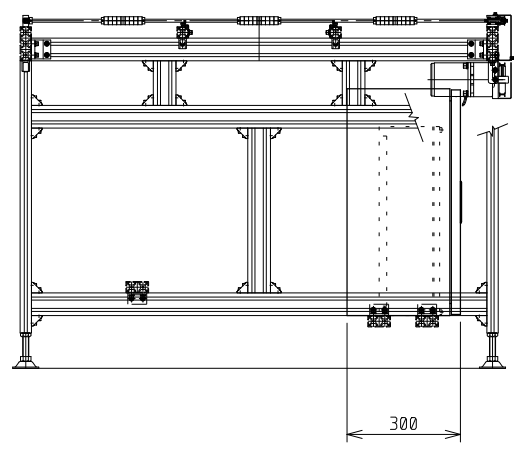
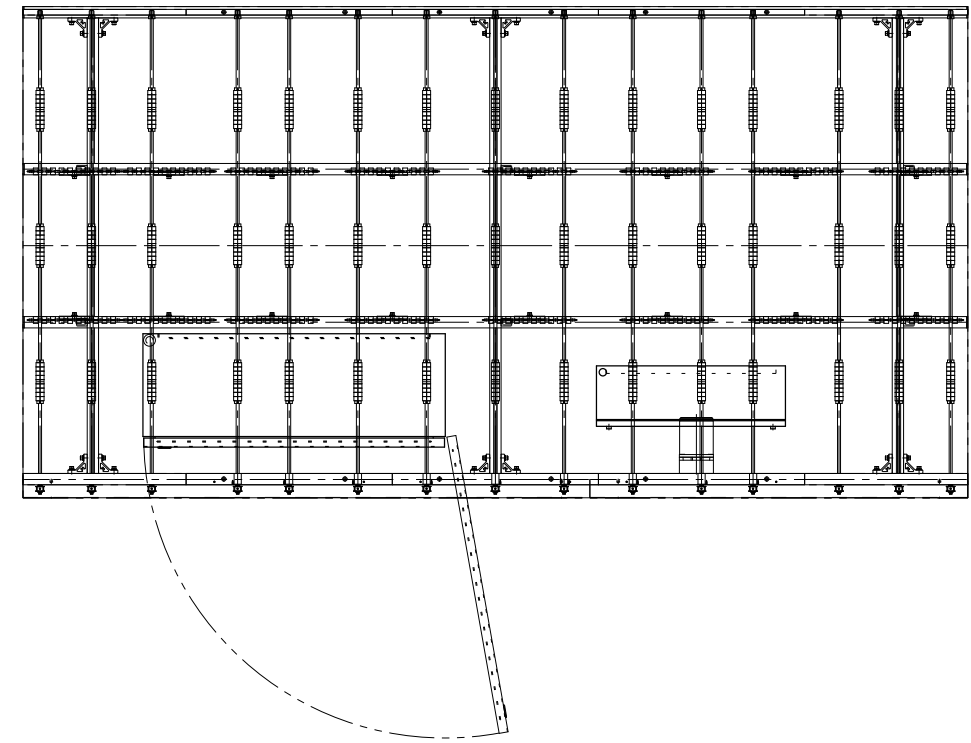
E

F

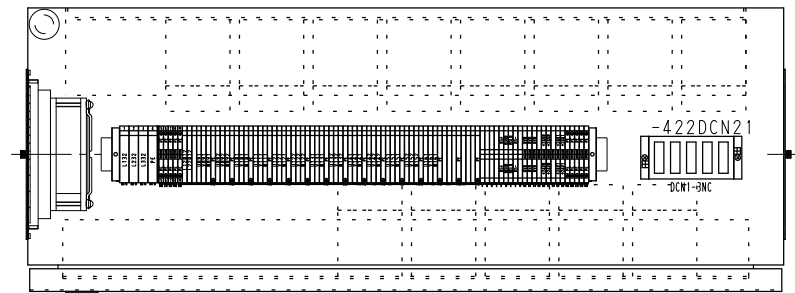
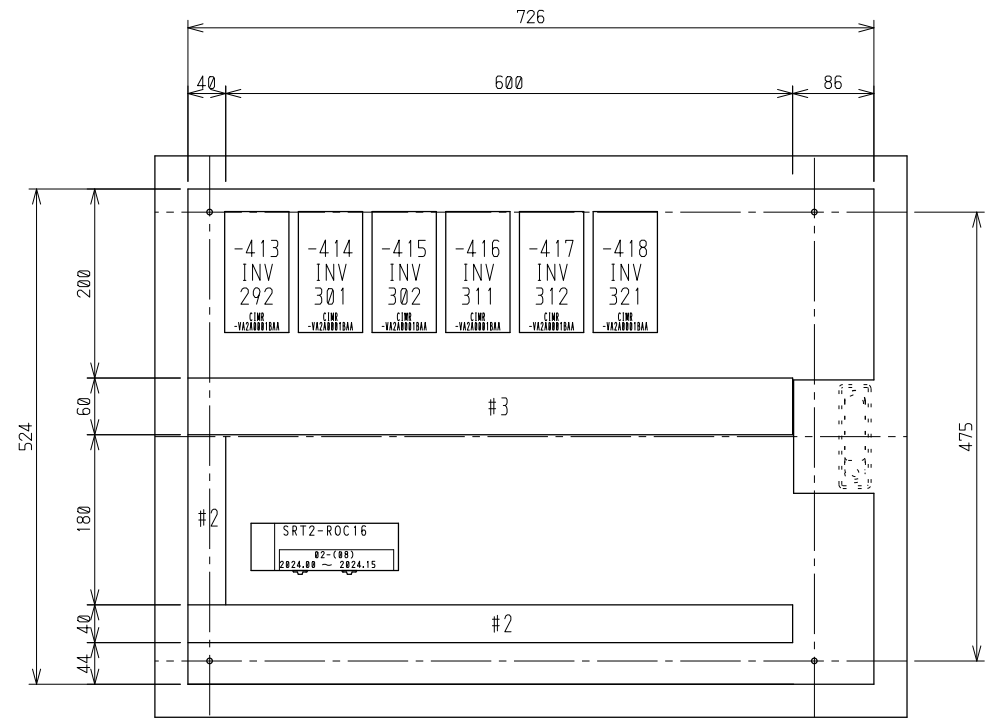
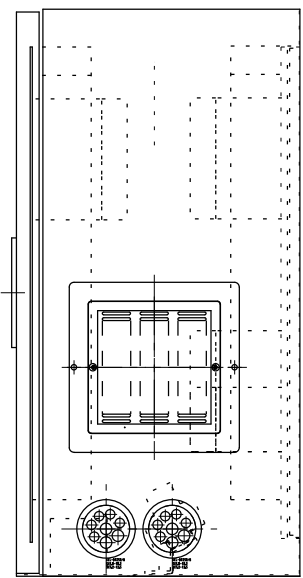
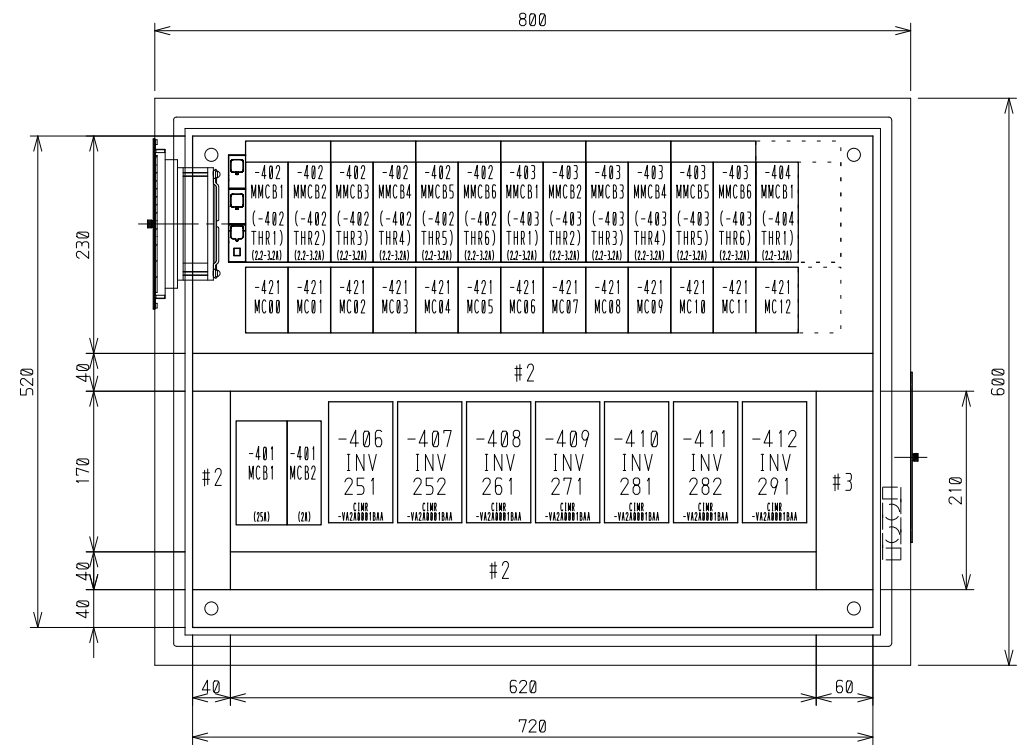
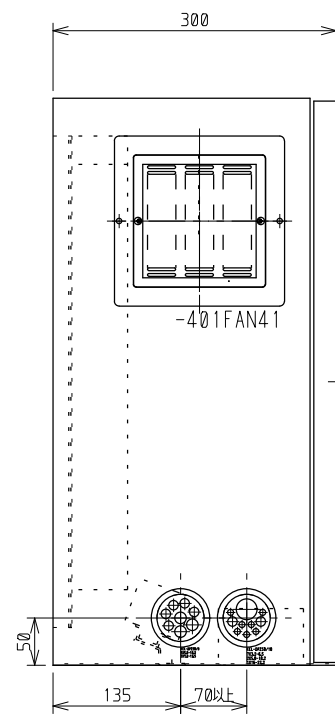
G

H

Direction of Module

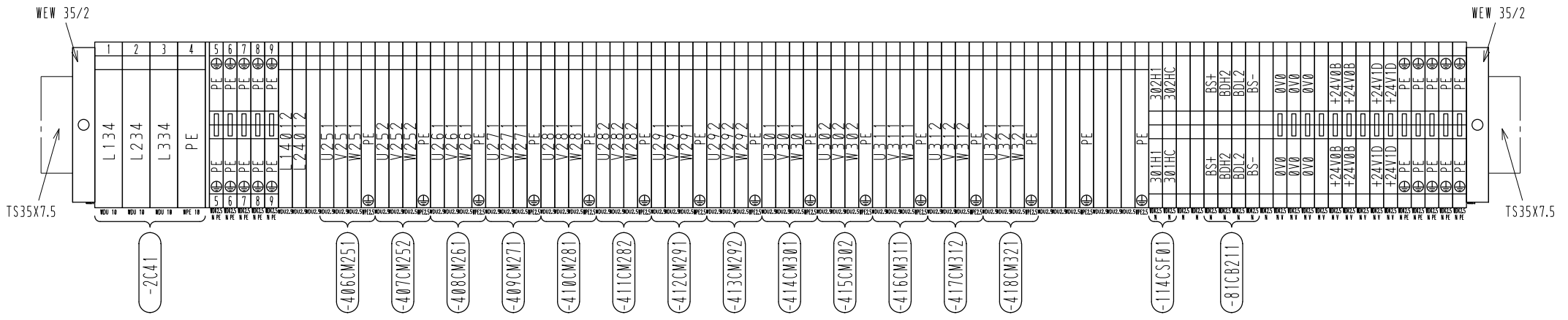


REV.								PRODUCT NO.	コンベヤ 26 CONVEYOR 26	TITLE	中継BOX 04A, B外観図 (JB04A, B) JUNCTION BOX 4 (JB04A, B)	SH. NO.	
								NPC Incorporated		DWG. NO	18004681-24-OD	401	

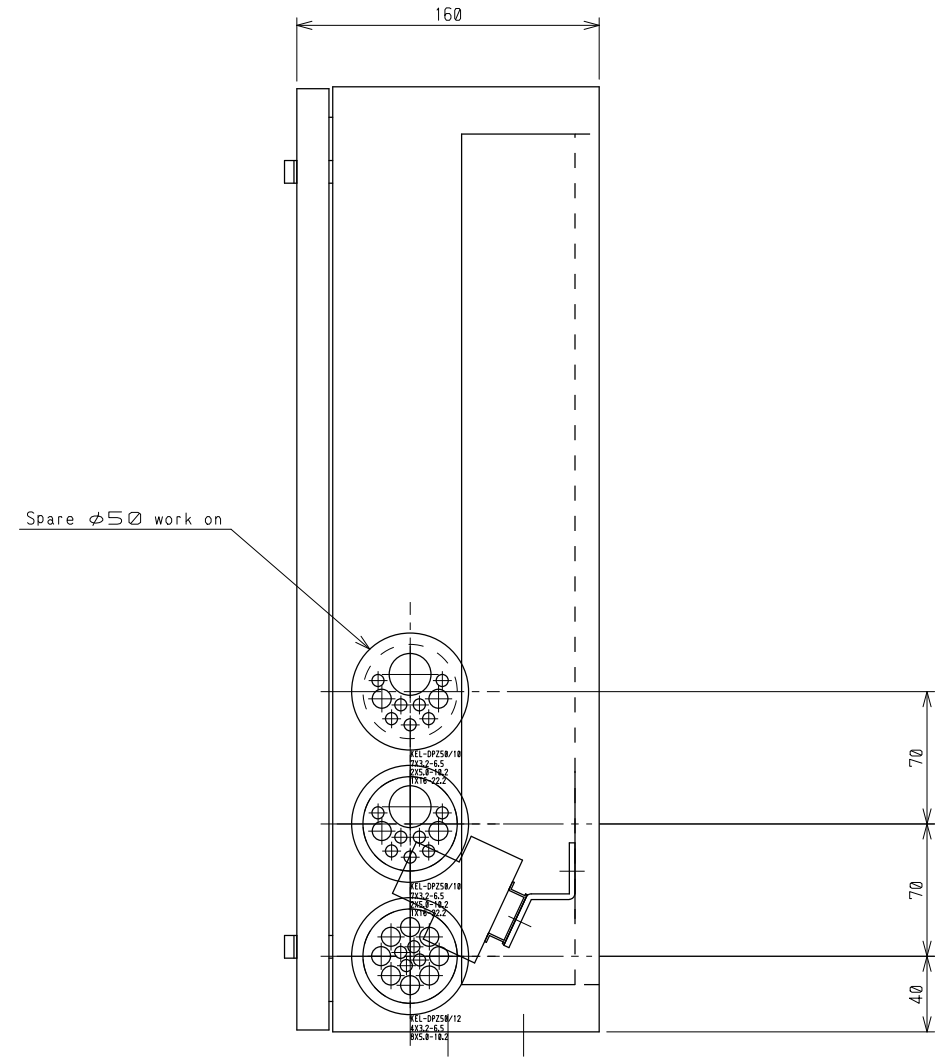
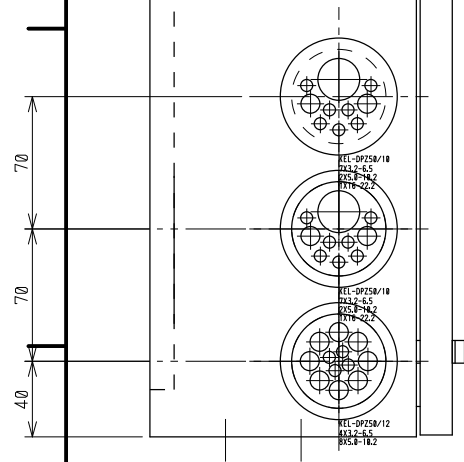
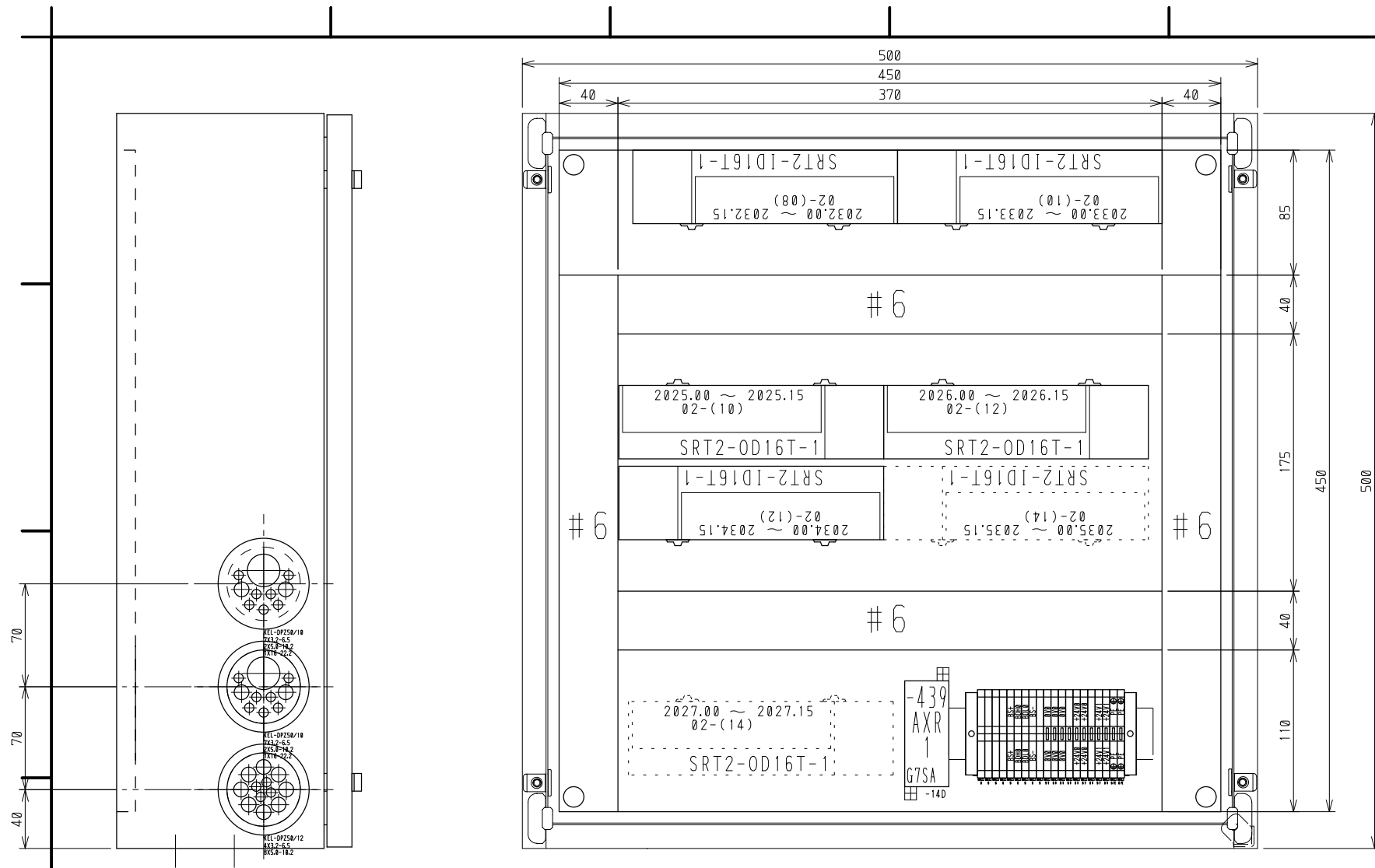


TBJ04A

WDU 10 (3P)	WDK 2.5N (9P)
WPE 10 (1P)	WDK 2.5NV (9P)
WDU 2.5 (48P)	WDK 2.5NPE (10P)
WPE 2.5 (15P)	

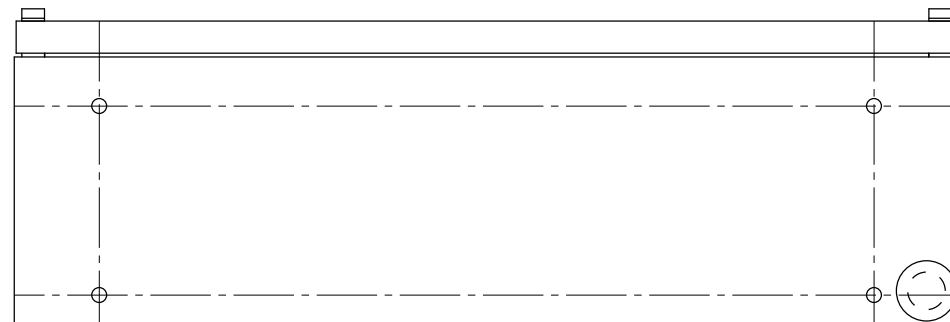


REV.		REV.	PRODUCT NO.	コンヤ 26 CONVAYOR 26	TITLE	中継BOX 04A詳細図 (JB04A) JUNCTION BOX 04A (JB04A)	SH. NO.
			NPC Incorporated		DWG. NO	18004681-24-OD	402

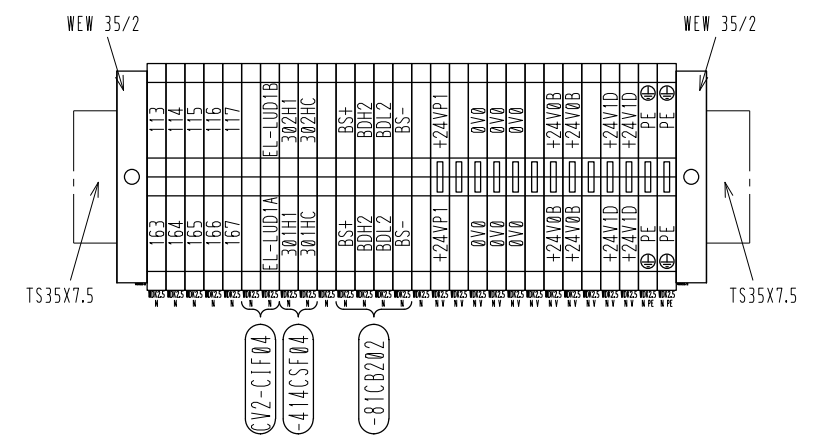


TBJ04B

WDK 2.5N (15P)
 WDK 2.5NV (11P)
 WDK 2.5NPE (2P)



#6 : W40×H60 CABLE DUCT



PRODUCT NO.

コンヤ 26
 CONYAVOR 26

TITLE

中継BOX 04B詳細図 (JB04B)
 JUNCTION BOX 04B (JB04B)

SH. NO.

REV.

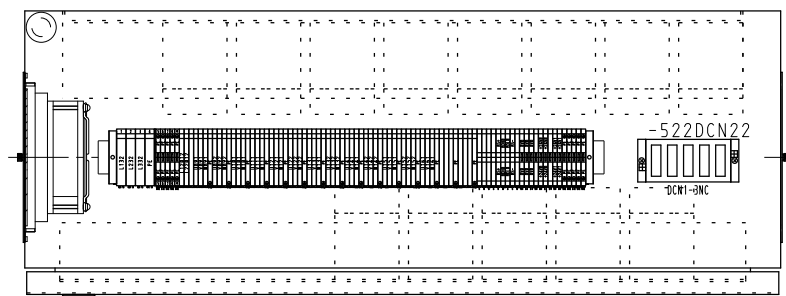
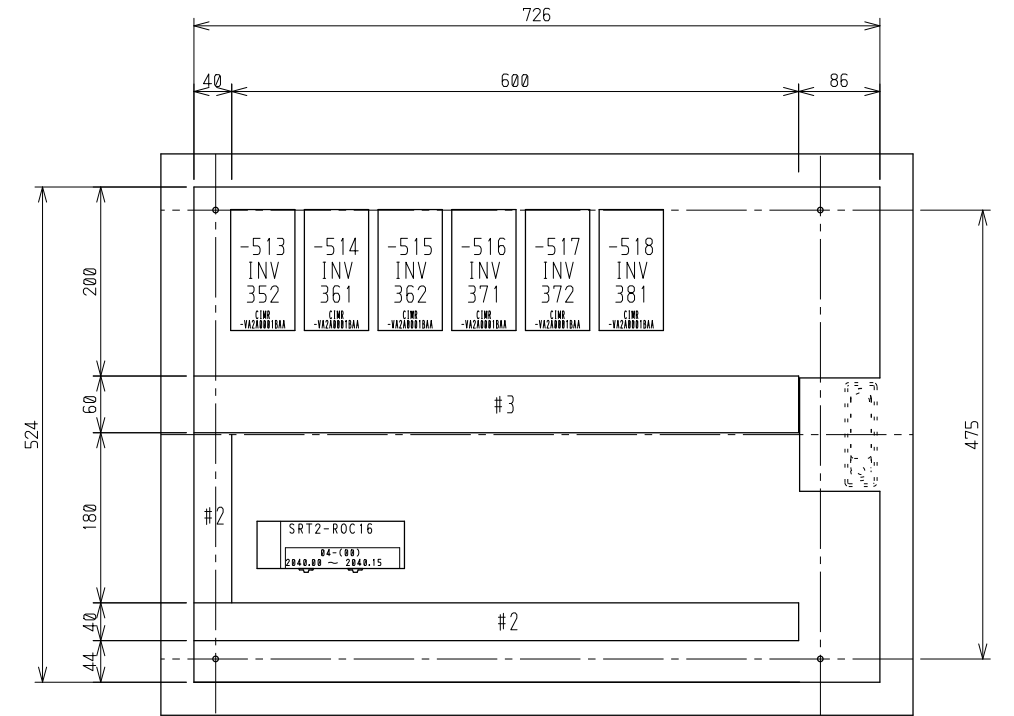
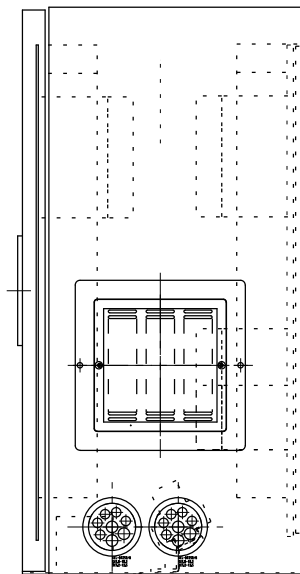
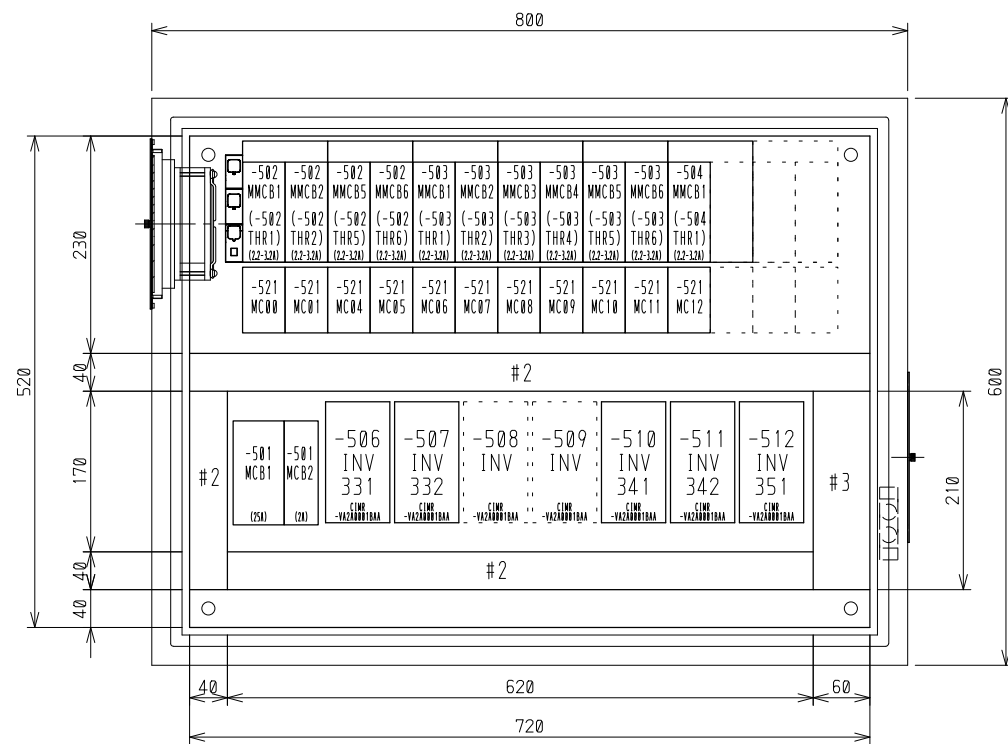
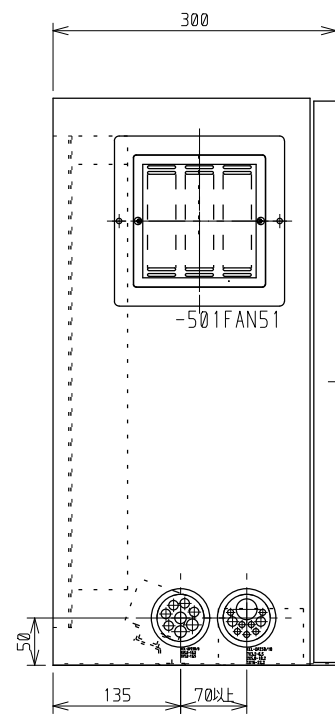
REV.

NPC Incorporated

DWG. NO

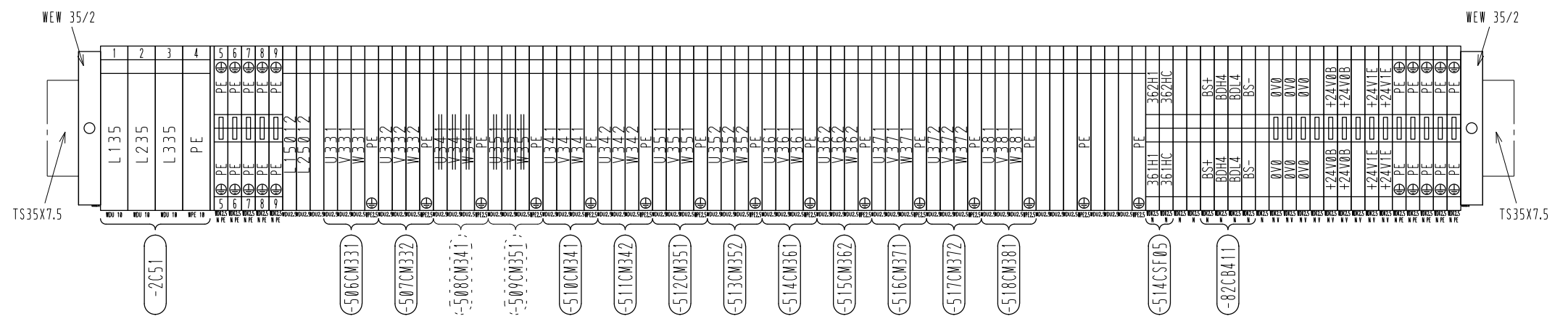
18004681-24-OD

403



TBJ05A

WDU 10 (3P)	WDK 2.5N (9P)
WPE 10 (1P)	WDK 2.5NV (9P)
WDU 2.5 (48P)	WDK 2.5NPE (10P)
WPE 2.5 (15P)	



PRODUCT NO.

コンヤ 38
CONVAYOR 38

TITLE

中継BOX 05A詳細図 (JB05A)
JUNCTION BOX 05A (JB05A)

SH. NO.

REV.

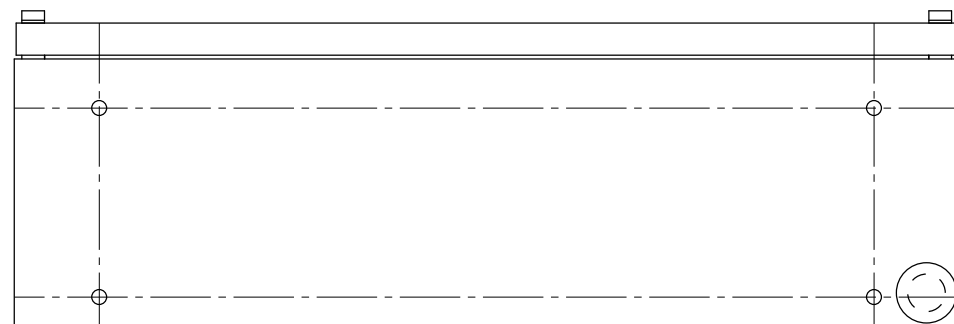
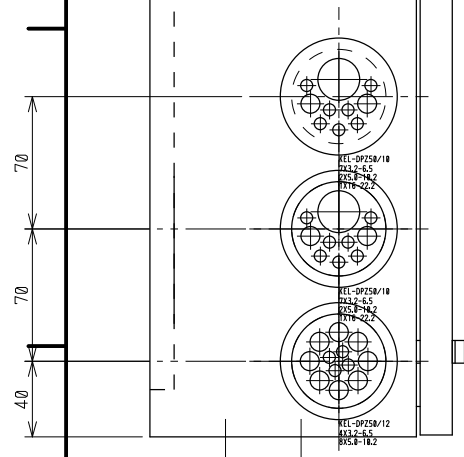
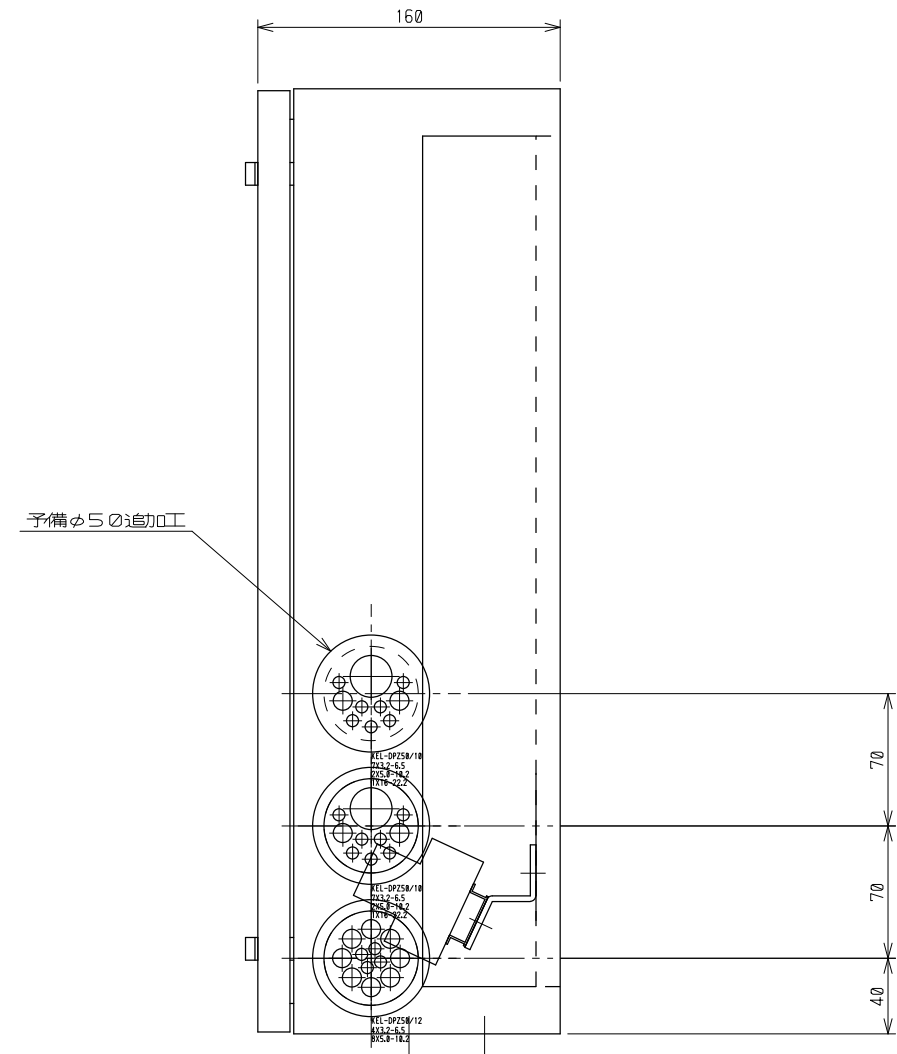
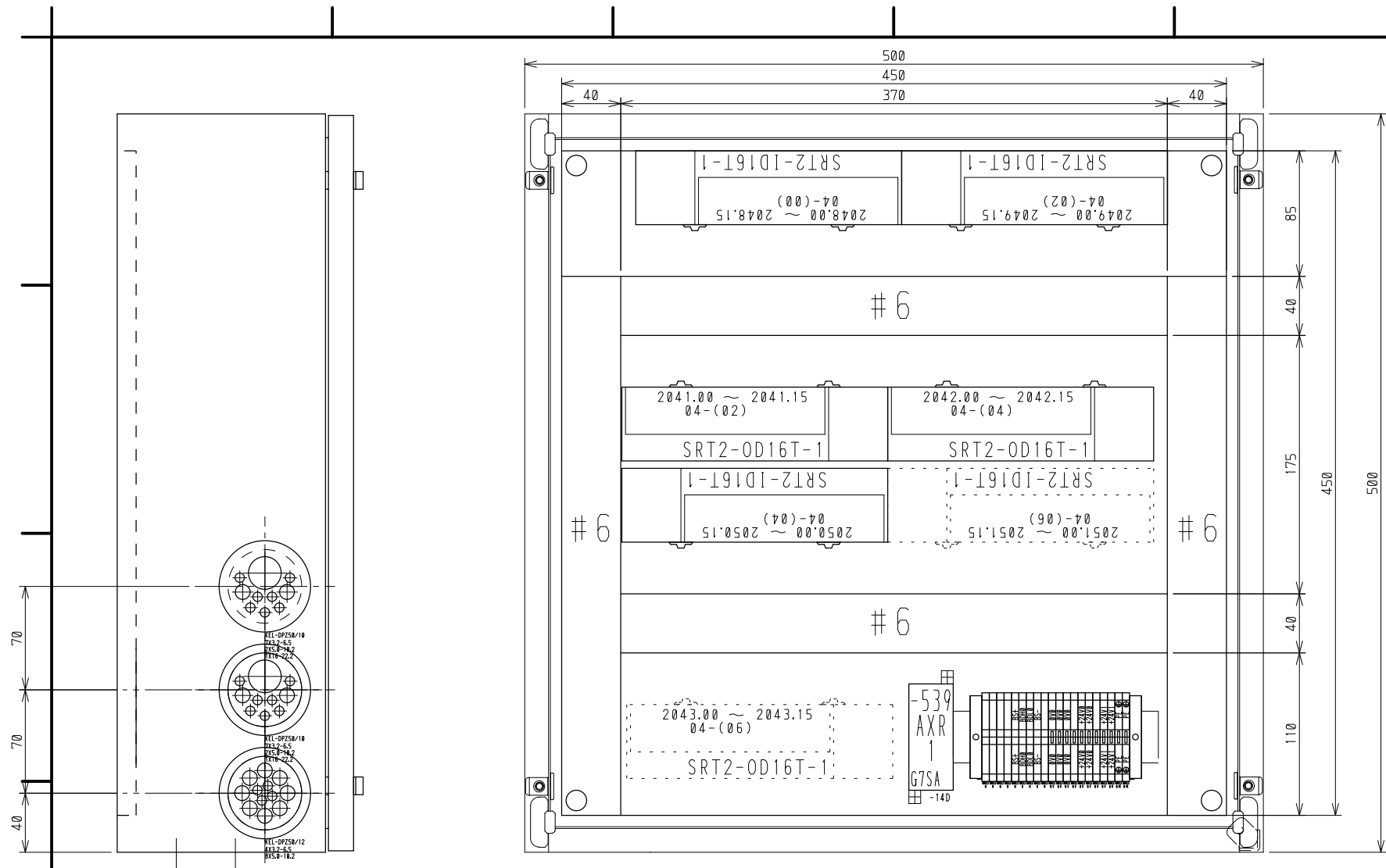
REV.

NPC Incorporated

DWG. NO

18004681-24-OD

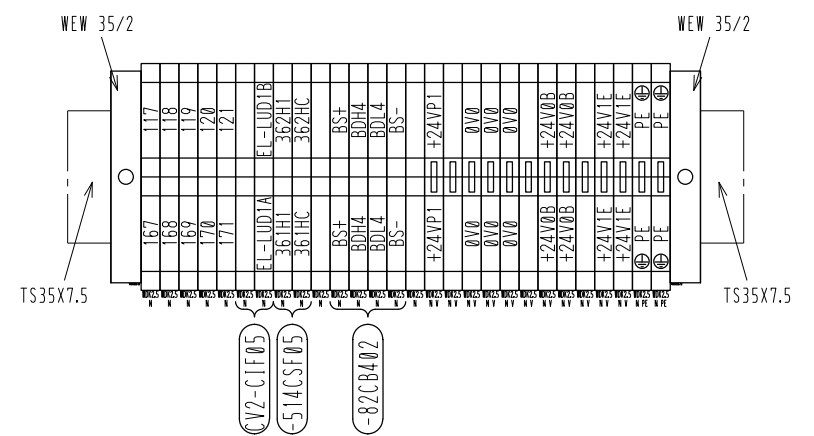
502



TBJ05B

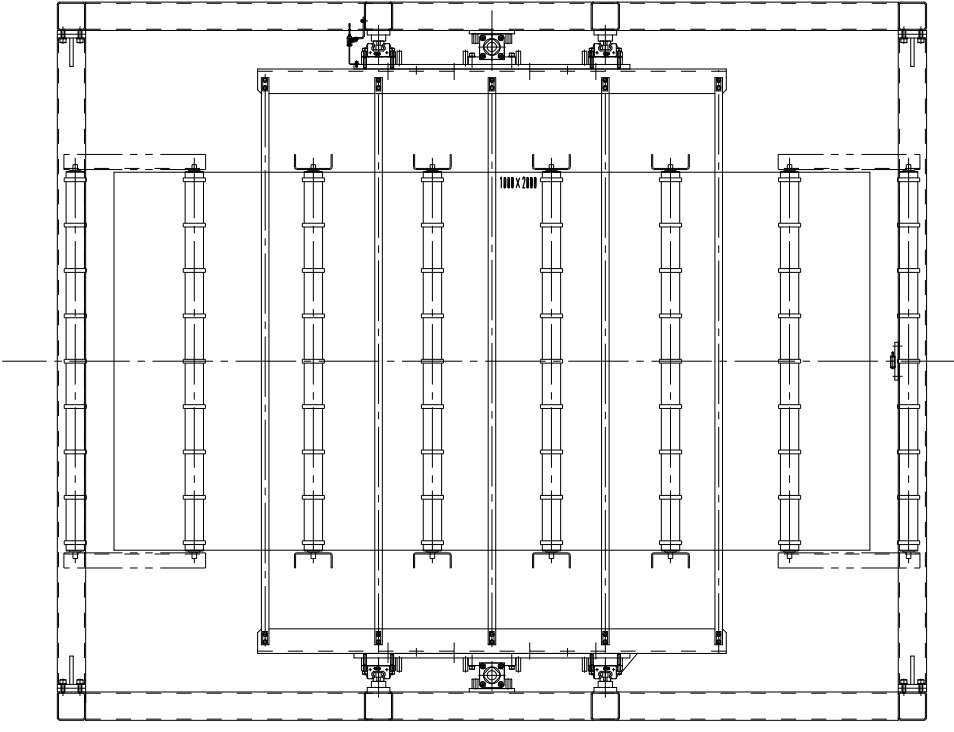
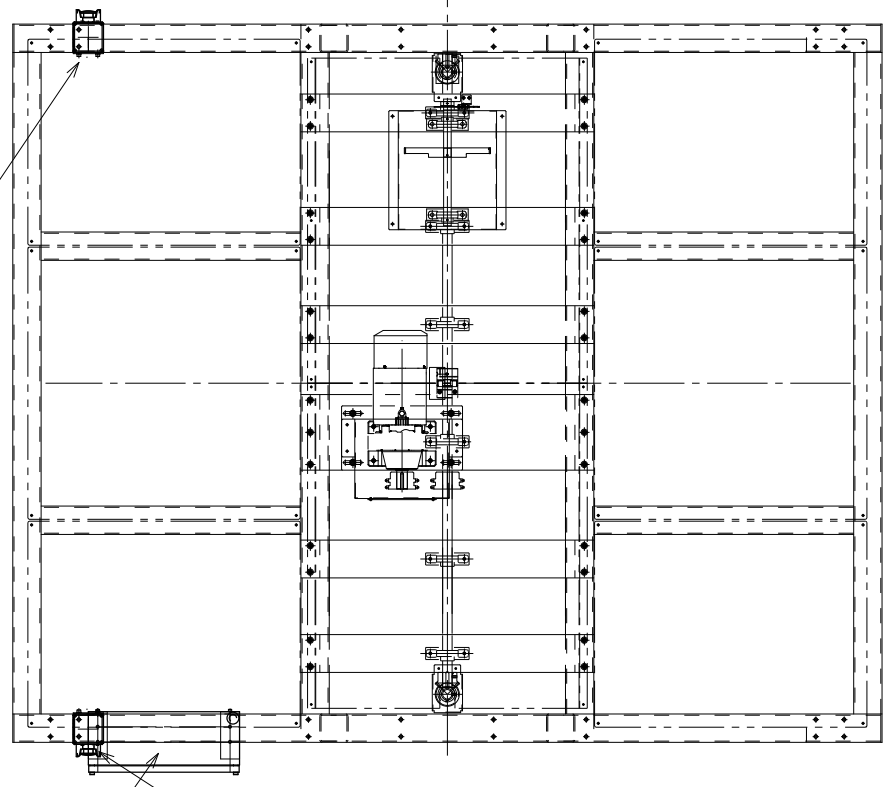
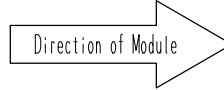
WDK 2.5N (15P)
 WDK 2.5NV (11P)
 WDK 2.5NPE (2P)

#6 : W40×H60 CABLE DUCT



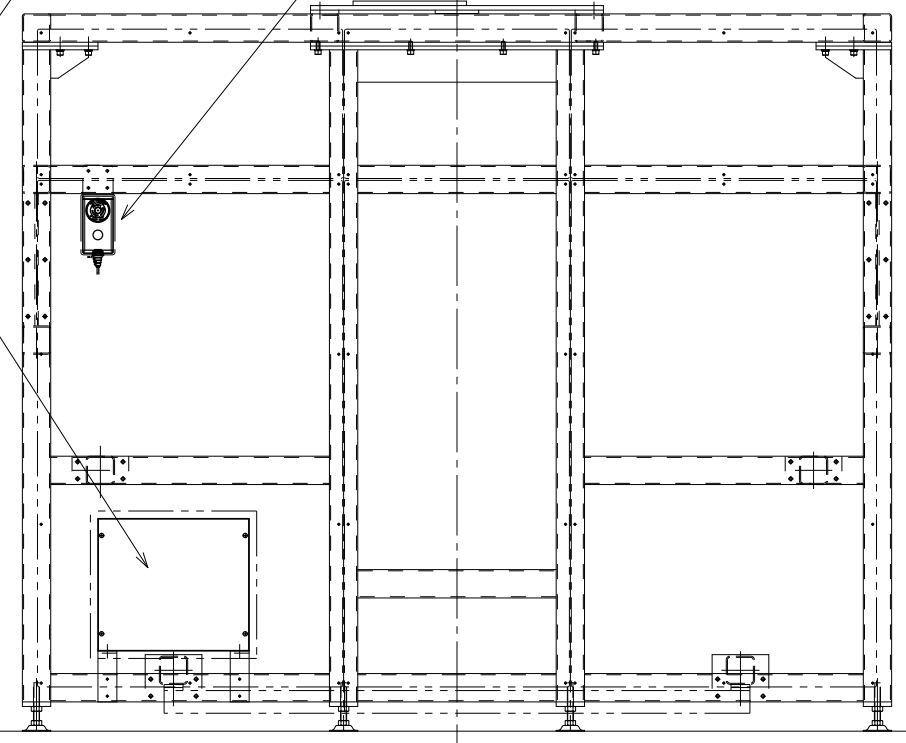
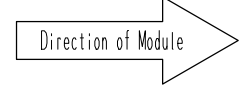
REV.						PRODUCT NO.	コンヤ 38 CONVAYOR 38	TITLE	中継BOX 05B詳細図 (JB05B) JUNCTION BOX 05B (JB05B)	SH. NO.
						NPC Incorporated		DWG. NO	18004681-24-OD	503

手元操作BOX 06B (BHS06B)
OPERATION BOX 06B (BHS06B)



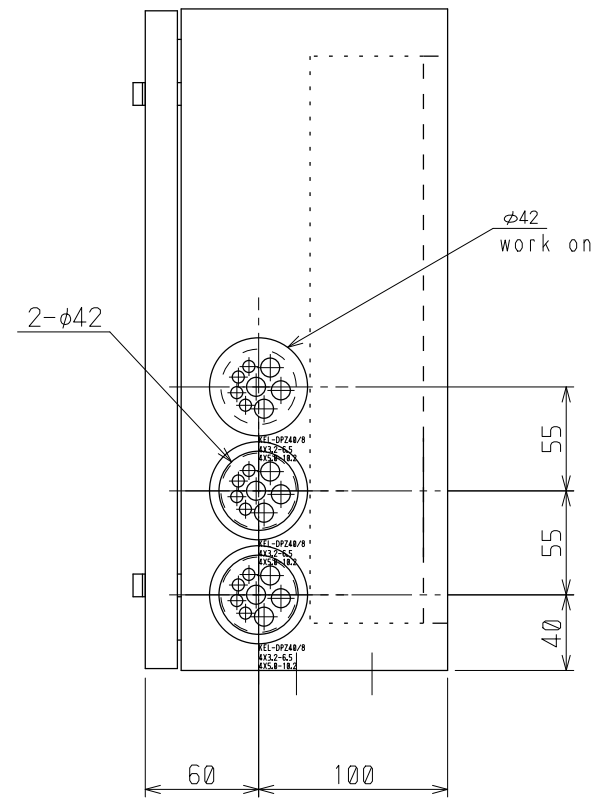
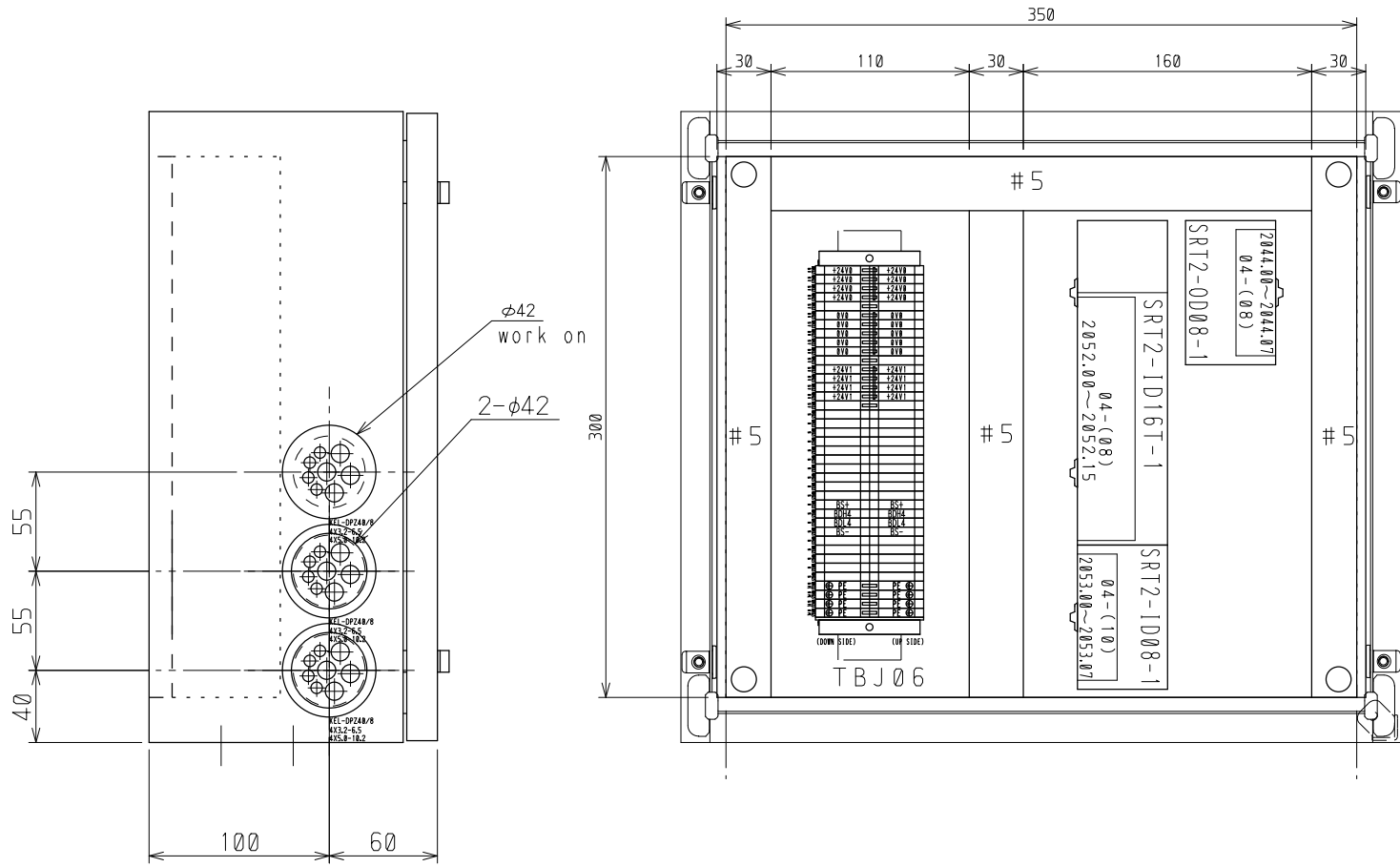
手元操作BOX 06A (BHS06A)
OPERATION BOX 06A (BHS06A)

中継BOX 06 (JB06)
JUNCTION BOX 06A (BHS06A)

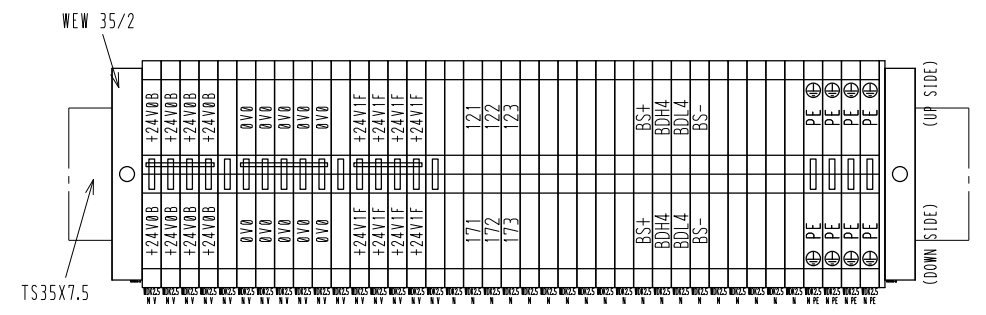
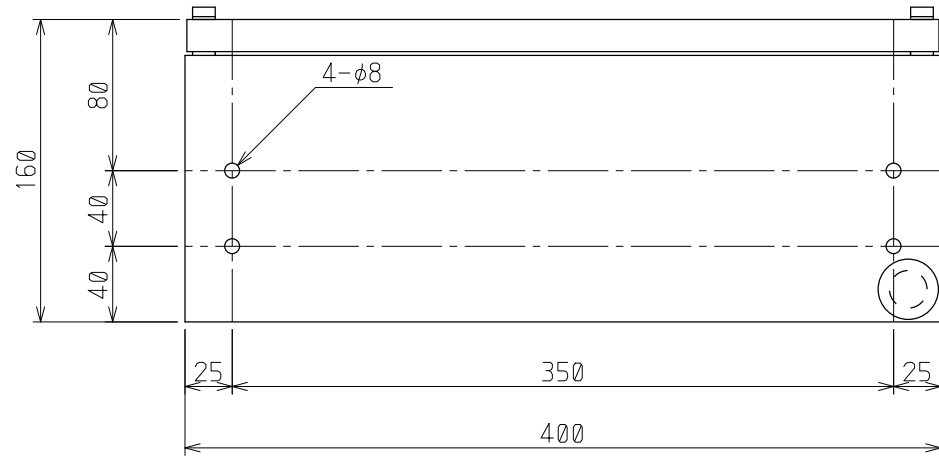


▲				▲						
▲				▲						
REV.	▲			REV.	▲					

PRODUCT NO.	ガラスロッカー GLASS STOCKER	TITLE	部品配置図 PARTS LAYOUT	SH. NO.
NPC Incorporated		DWG. NO	18004681-24-OD	601



TBJ06
 WDK 2.5N (19P)
 WDK 2.5N V (16P)
 WDK 2.5N PE (4P)



MADE BY NITTO : TC16-435

#5 : W30*H60 CABLE DUCT

(REMARK)

- #5 : W30*H80 CABLE DUCT
- #6 : W40*H80 CABLE DUCT
- #7 : W60*H80 CABLE DUCT

REV.		REV.		PRODUCT NO.	ガラスストック GLASS STOCKER	TITLE	端子台配列 TERMINAL BLOCK LAYOUT	SH. NO.
				NPC Incorporated		DWG. NO	18004681-24-OD	602

A

B

C

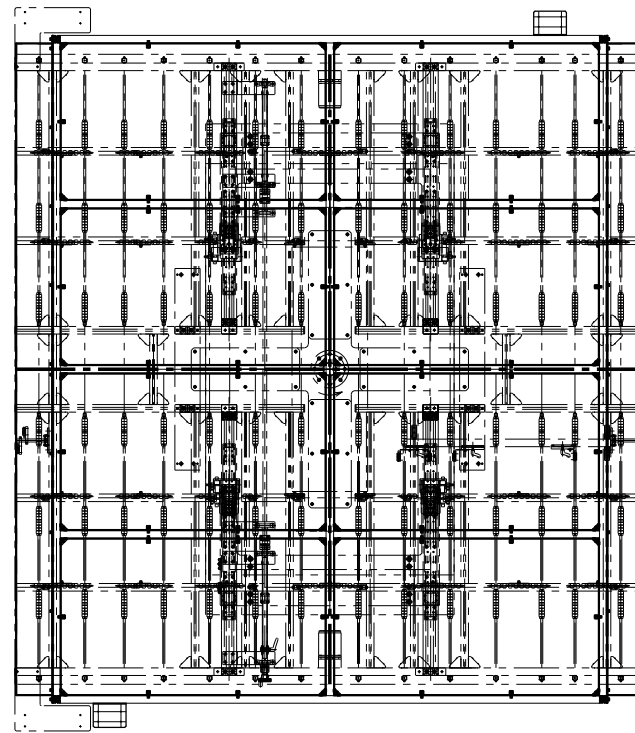
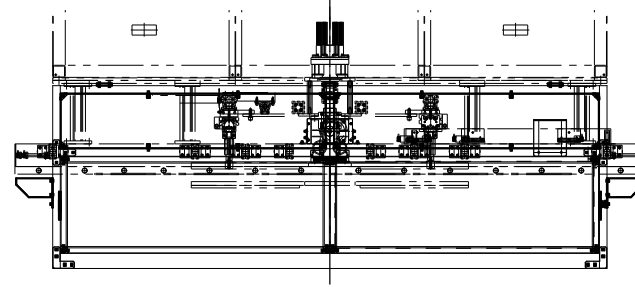
D

E

F

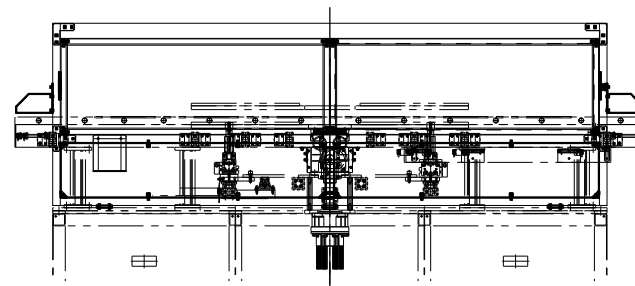
G

H



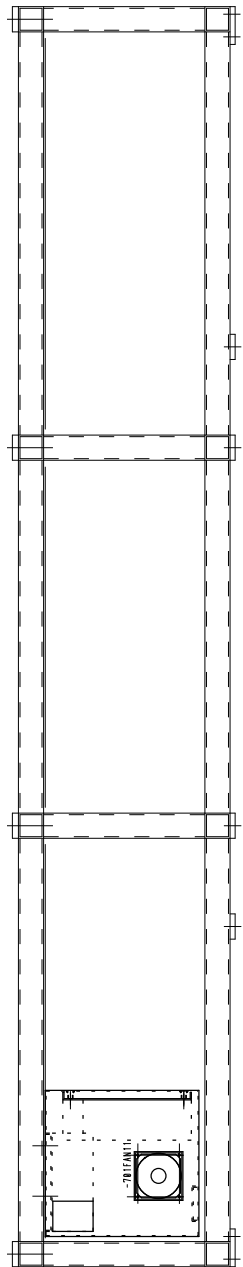
Direction of Module

Direction of Module

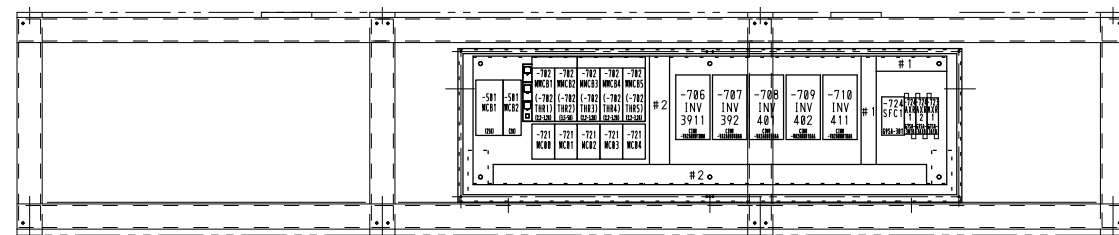
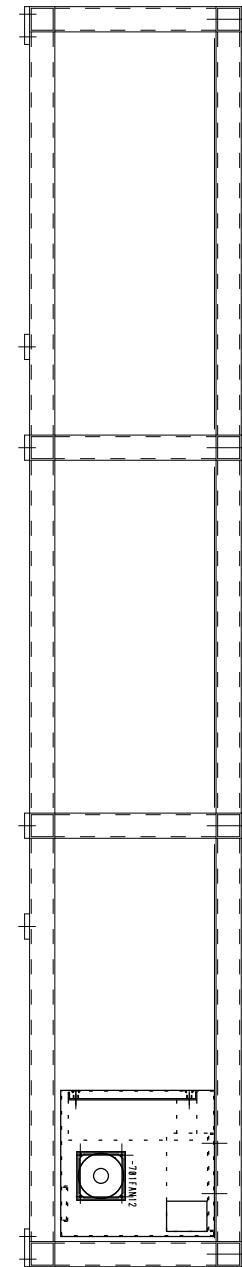
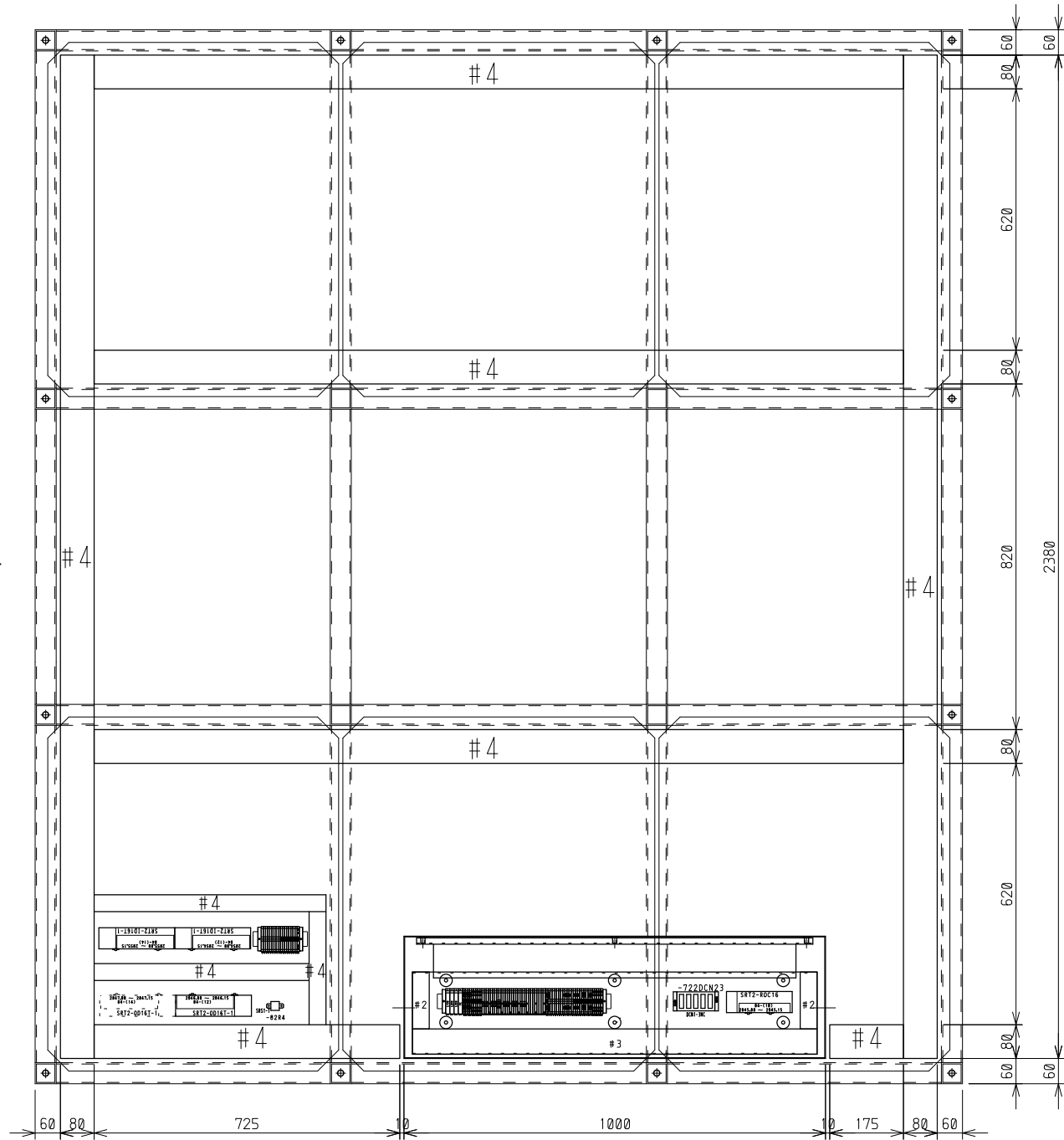


- #1 : W30×H80 CABLE DUCT
- #2 : W60×H80 CABLE DUCT
- #3 : W40×H80 CABLE DUCT

REV.				REV.				PRODUCT NO.	旋回テーブル TURN TABLE	TITLE	部品配置図 PARTS LAYOUT	SH. NO.
								NPC Incorporated	DWG. NO	18004681-24-OD	701	



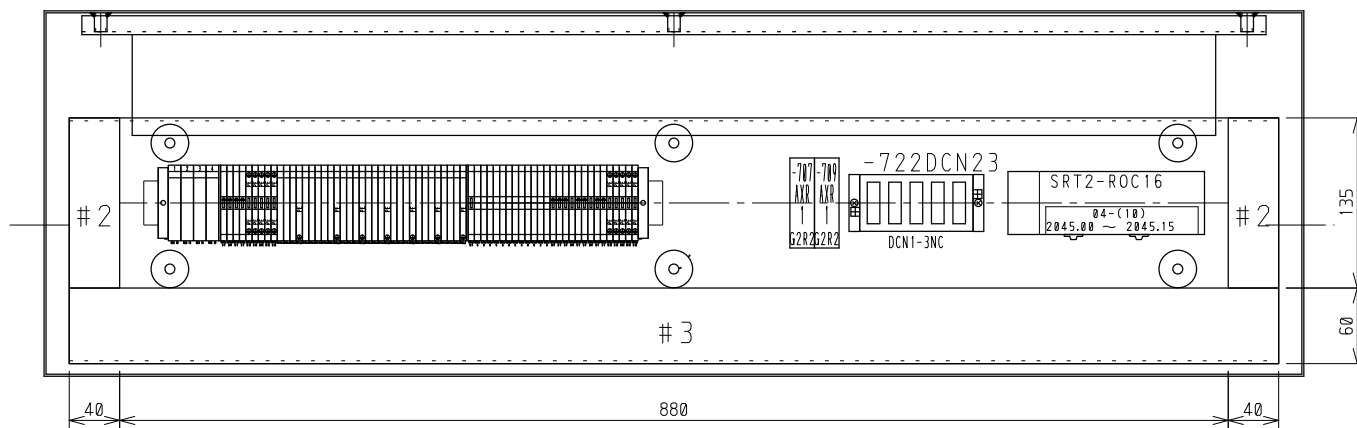
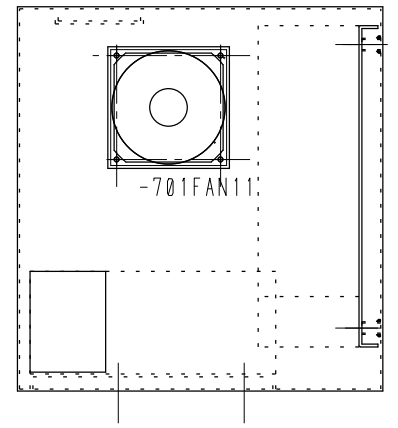
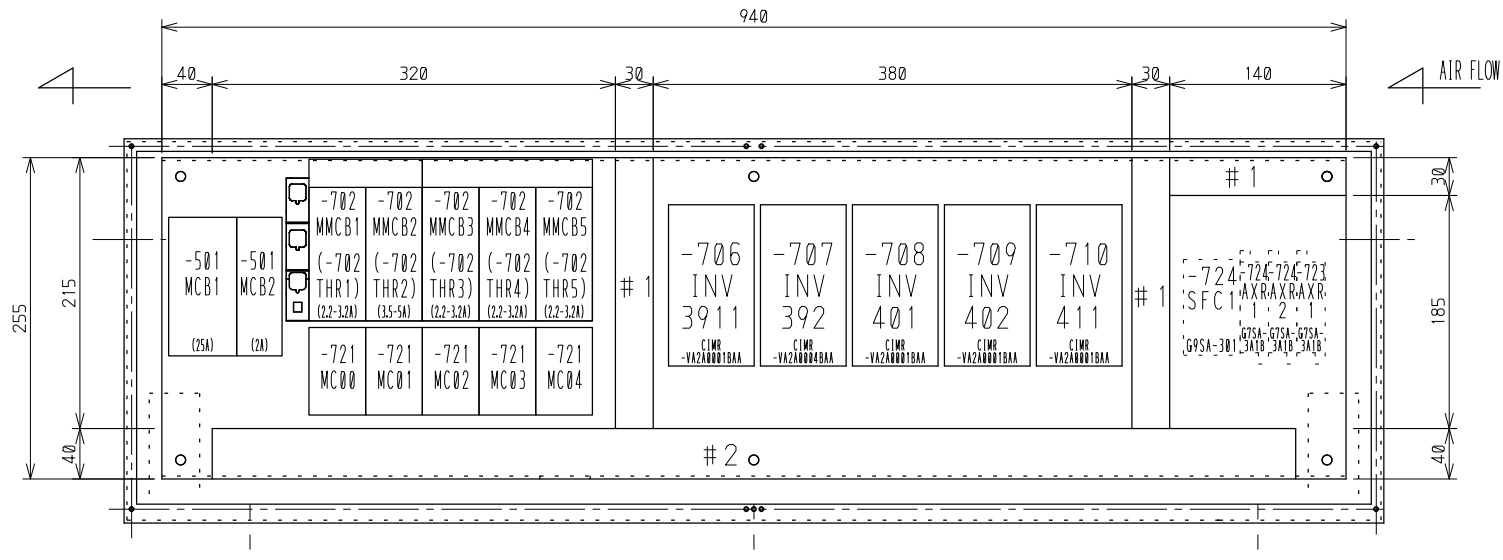
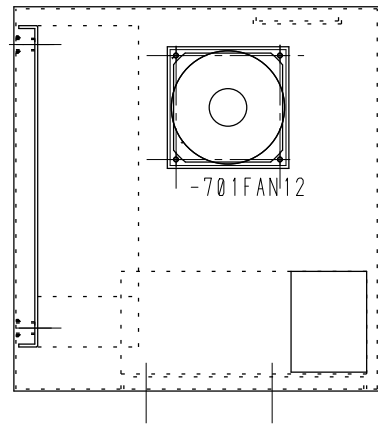
Direction of Module



(REMARK)

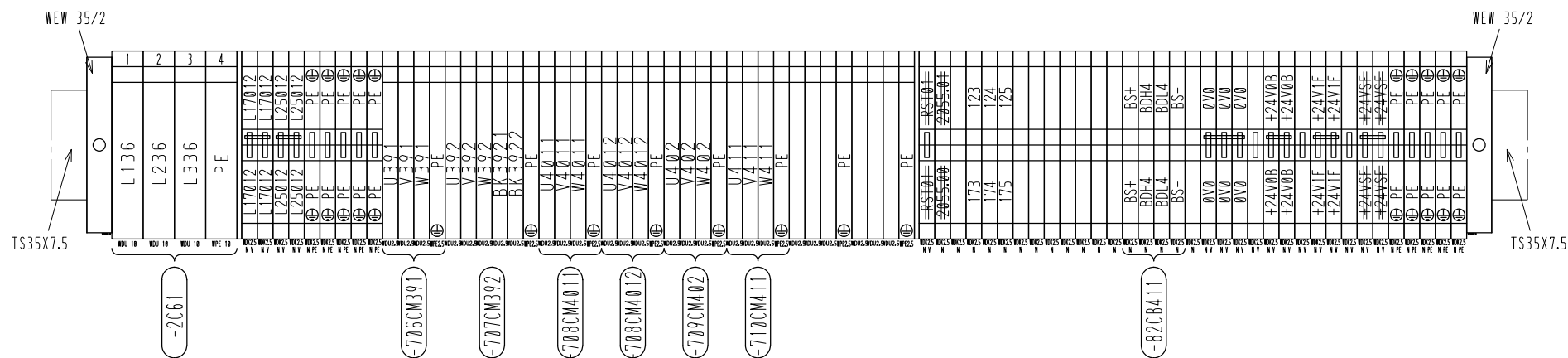
- #1 : W30×H80 CABLE DUCT
- #2 : W40×H80 CABLE DUCT
- #3 : W60×H80 CABLE DUCT
- #4 : W80×H80 CABLE DUCT
- #5 : W30×H60 CABLE DUCT
- #6 : W40×H60 CABLE DUCT
- #7 : W60×H60 CABLE DUCT
- #8 : W80×H60 CABLE DUCT

REV.						PRODUCT NO.	旋回テーブル TURN TABLE	TITLE	部品配置図 PARTS LAYOUT	SH. NO.
						NPC Incorporated		DWG. NO	18004681-24-OD	702



TBJ07

WDU 10	(3P)	WDK 2.5N	(12P)
WPE 10	(1P)	WDK 2.5NV	(15P)
WDU 2.5	(23P)	WDK 2.5NPE	(10P)
WPE 2.5	(7P)		



- #1 : W30×H80 CABLE DUCT
- #2 : W60×H80 CABLE DUCT
- #3 : W40×H80 CABLE DUCT

PRODUCT NO.

回転テーブル
TURN TABLE

TITLE

部品配置図
PARTS LAYOUT

SH. NO.

REV.

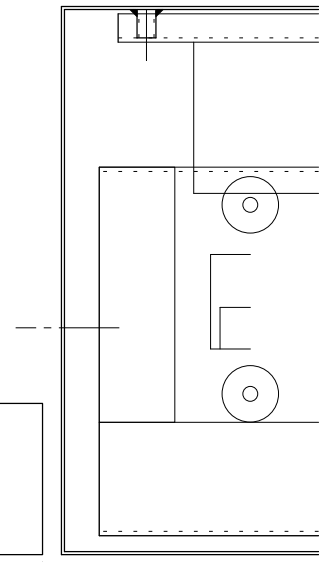
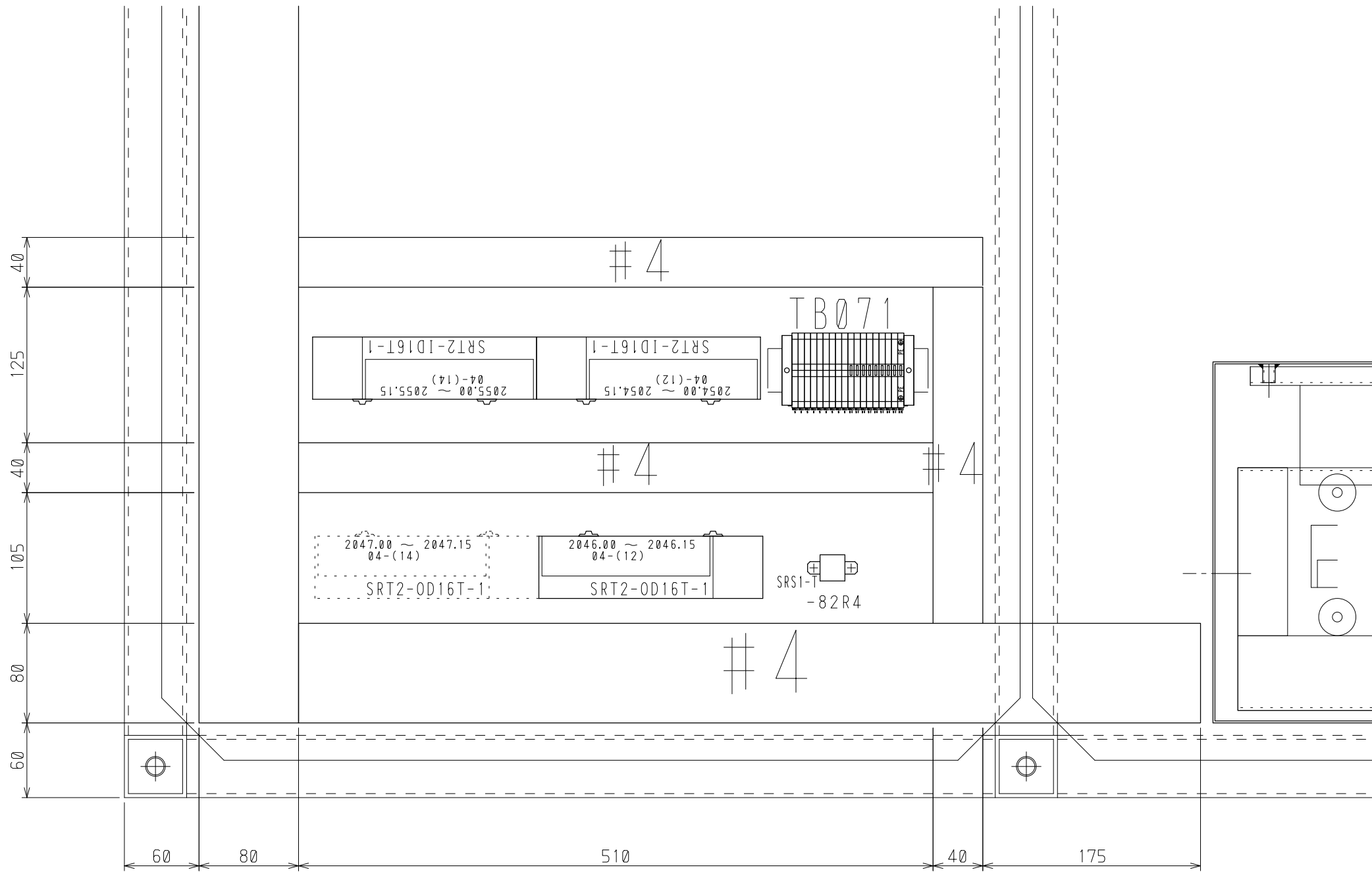
REV.

NPC Incorporated

DWG. NO

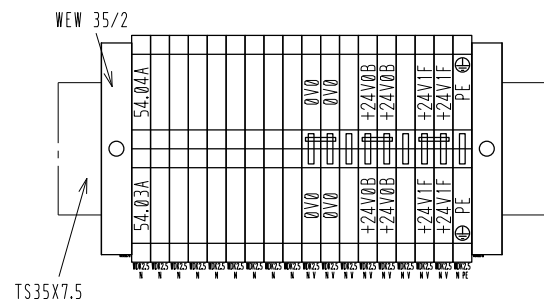
18004681-24-OD

703



TBJ071

- WDK 2.5N (9P)
- WDK 2.5NV (8P)
- WDK 2.5NPE (1P)



- #1 : W30×H80 CABLE DUCT
- #2 : W60×H80 CABLE DUCT
- #3 : W40×H80 CABLE DUCT

REV.						PRODUCT NO.	旋回テーブル TURN TABLE	TITLE	架台内 部品配置図 PARTS LAYOUT	SH. NO.
						NPC Incorporated		DWG. NO	18004681-24-OD	704

MACHINE NAME

搬送コンベア2


MODEL No.

SERIAL No.

Sequence diagram

CONTENTS

TITLE	SHEET No.	TITLE	SHEET No.	TITLE	SHEET No.	TITLE	SHEET No.	TITLE	SHEET No.
CONTENTS	-	05A (BHS05A)		中継BOX 01A B外観図 (JB01A B) JUNCTION BOX 1 (JB01A B)	0D 101	中継BOX 03B 詳細図 (JB03B) JUNCTION BOX 03B (JB03B)	0D 303	部品配置図 PARTS LAYOUT	0D 601
×個人操作体配置図 (BHM).	0P 001	手操作BOX 05B C (BHS05B C) OPERATION BOX 05B C (BHS05B C)	0P 011	中継BOX 01A 詳細図 (JB01A) JUNCTION BOX 01A (JB01A)	0D 102	中継BOX 03C D 詳細図 (JB03C D) JUNCTION BOX 03C D (JB03C D)	0D 304	端子台列 TERMINAL BLOCK LAYOUT	0D 602
MAIN OPERATION PANEL (BHM)		手操作BOX 06A B (BHS06A B) OPERATION BOX X 6A B (BHS6A B)	0P 012	中継BOX 01B 詳細図 (JB01B) JUNCTION BOX 01B (JB01B)	0D 103	中継BOX 04A B 外観図 (JB04A B) JUNCTION BOX 4 (JB04A B)	0D 401	部品配置図 PARTS LAYOUT	0D 701
手操作BOX 01A (BHS01A) OPERATION BOX 01A (BHS01A)	0P 002	手操作BOX 07A B (BHS07A B) OPERATION BOX X 7A B (BHS7A B)	0P 013	中継BOX 01C D 詳細図 (JB01C D) JUNCTION BOX 01C D (JB01C D)	0D 104	中継BOX 04A 詳細図 (JB04A) JUNCTION BOX 04A (JB04A)	0D 402	部品配置図 PARTS LAYOUT	0D 702
手操作BOX 01B C (BHS01B C) OPERATION BOX 01B C (BHS01B C)	0P 003	制御BOX 概観図	LD 001	中継BOX 02A B 外観図 (JB02A B) JUNCTION BOX 2 (JB02A B)	0D 201	中継BOX 04B 詳細図 (JB04B) JUNCTION BOX 04B (JB04B)	0D 403	部品配置図 PARTS LAYOUT	0D 703
手操作BOX 02A (BHS02A) OPERATION BOX 02A (BHS02A)	0P 004	MAIN CONTROL BOX OUTLINE DRAWING		中継BOX 02A 詳細図 (JB02A) JUNCTION BOX 02A (JB02A)	0D 202	中継BOX 04C D 詳細図 (JB04C D) JUNCTION BOX 04C D (JB04C D)	0D 404	架内 部品配置図 PARTS LAYOUT	0D 704
手操作BOX 02B C (BHS02B C) OPERATION BOX 02B C (BHS02B C)	0P 005	部品配置図 (1/2).	LD 002	中継BOX 02B 詳細図 (JB02B) JUNCTION BOX 02B (JB02B)	0D 203	中継BOX 05A B 外観図 (JB05A B) JUNCTION BOX 5 (JB05A B)	0D 501		
手操作BOX 03A (BHS03A) OPERATION BOX 03A (BHS03A)	0P 006	PARTS LAYOUT IN CONTROL BOX (1/2)		中継BOX 02C D 詳細図 (JB02C D) JUNCTION BOX 02C D (JB02C D)	0D 204	中継BOX 05A 詳細図 (JB05A) JUNCTION BOX 05A (JB05A)	0D 502		
手操作BOX 03B C (BHS03B C) OPERATION BOX 03B C (BHS03B C)	0P 007	部品配置図 (2/2).	LD 003	中継BOX 03A B 外観図 (JB03A B) JUNCTION BOX 3 (JB03A B)	0D 301	中継BOX 05B 詳細図 (JB05B) JUNCTION BOX 05B (JB05B)	0D 503		
手操作BOX 04A (BHS04A) OPERATION BOX 04A (BHS04A)	0P 008	PARTS LAYOUT IN CONTROL BOX (2/2)		中継BOX 03A 詳細図 (JB03A) JUNCTION BOX 03A (JB03A)	0D 302	中継BOX 05C D 詳細図 (JB05C D) JUNCTION BOX 05C D (JB05C D)	0D 504		
手操作BOX 04B C (BHS04B C) OPERATION BOX 04B C (BHS04B C)	0P 009	端子台配置図 (1/2).	LD 004						
手操作BOX 04A (BHS04A) OPERATION BOX 04A (BHS04A)	0P 008	TERMINAL BOX LAYOUT (1/2)							
手操作BOX 04B C (BHS04B C) OPERATION BOX 04B C (BHS04B C)	0P 009	端子台配置図 (2/2).	LD 005						
手操作BOX 05A (BHS05A) OPERATION BOX 05A (BHS05A)	0P 010	TERMINAL BOX LAYOUT (2/2)							
		全図 OVERALL VIEW	LD 010						
		ETHERNET/1P 系統図	LD 011						
		ETHERNET/1P DIAGRAM							

△					DRAWN	DESIGNED	CHECKED	APPROVED	Sequence diagram
△									
△									
△									
△									
REV. △					 NPC Incorporated			MACHINE No.	