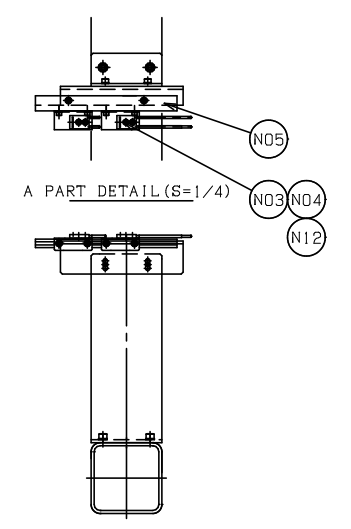
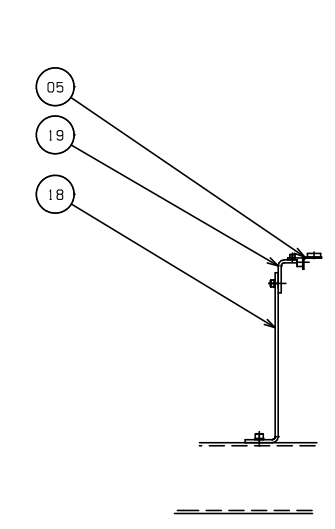
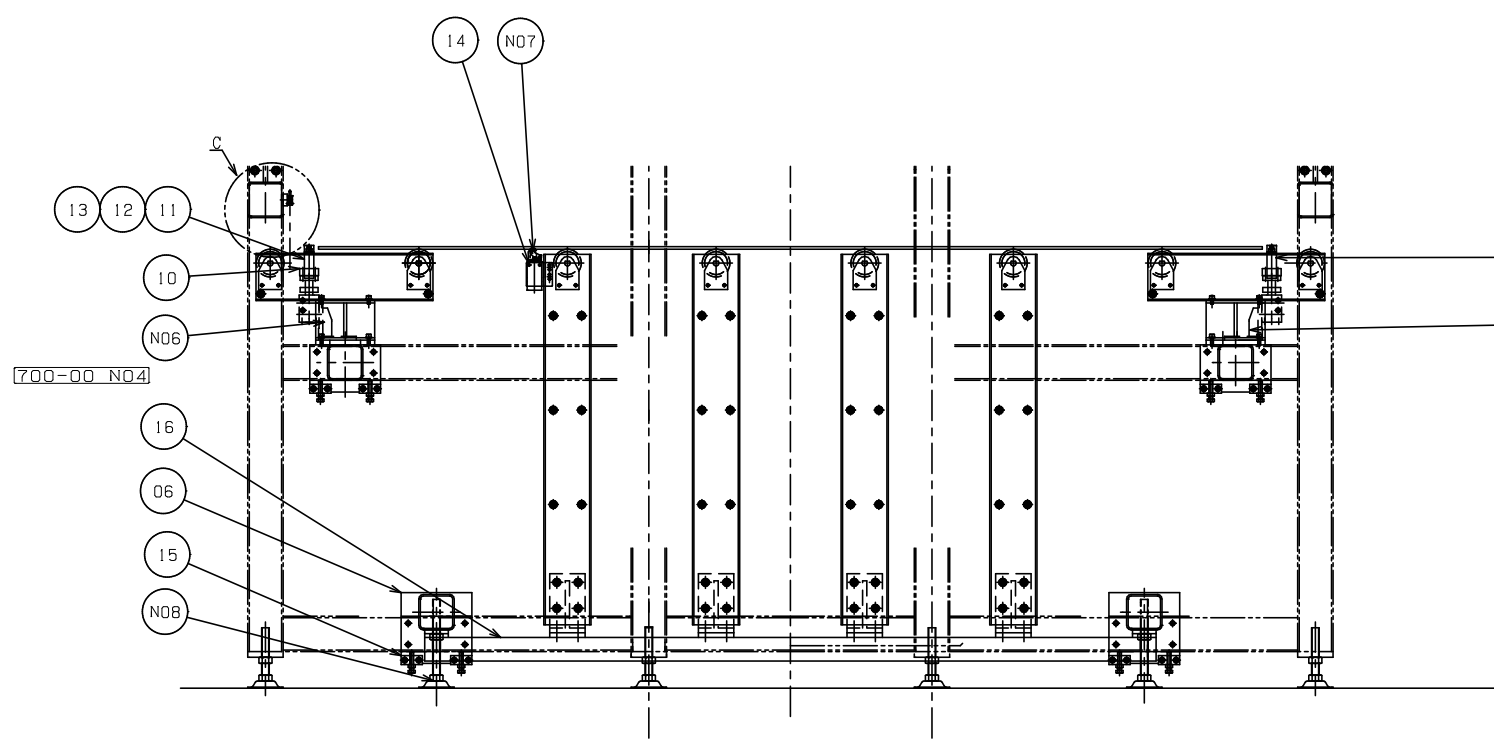


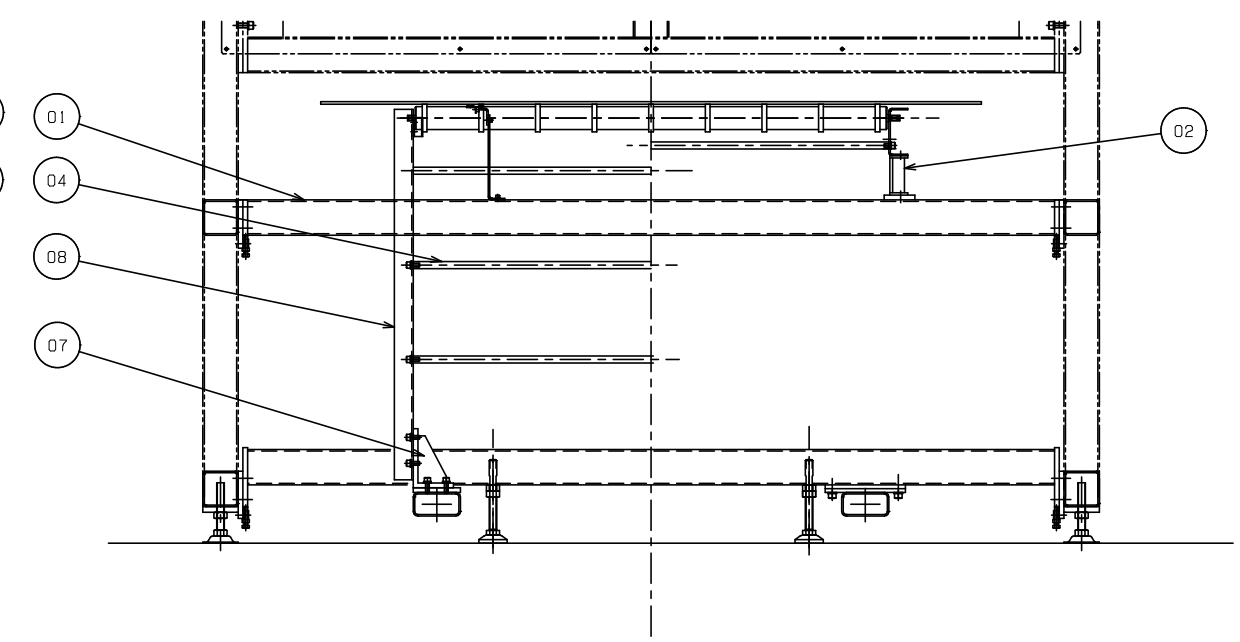
PART "C" SCALE 1/3



A PART DETAIL (S=1/4)



700-00 N04



Notes	Date	10-08-30	Machine number	18004681-24	One set	Total
	Material	Finish	Approved	Checked	Designed	Quantity
	Heat treatment	Scale	Name			
	Surface treatment	3rd angle method	GLASS BUFFER, CONVEYOR			
	Drawing number				- 041-00	