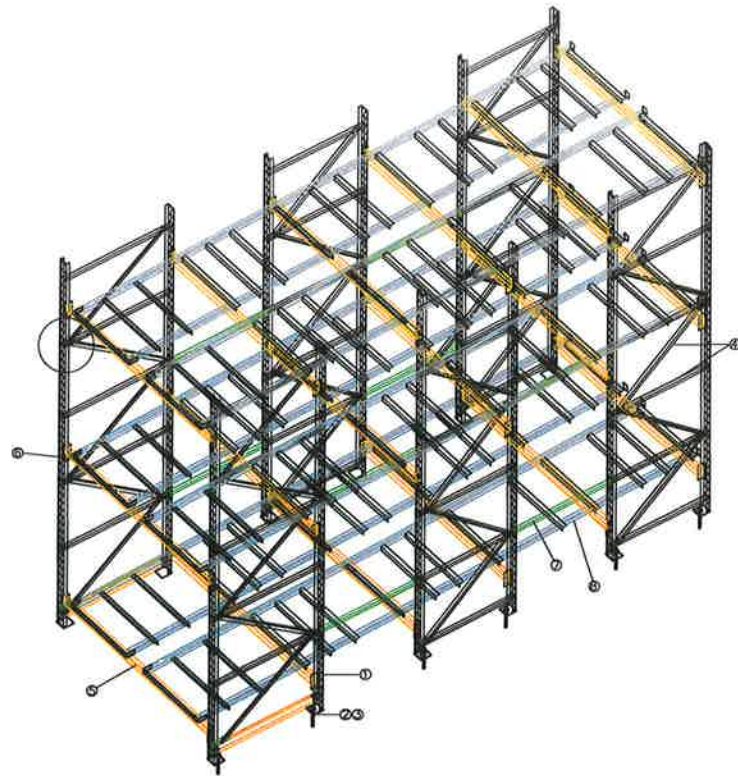
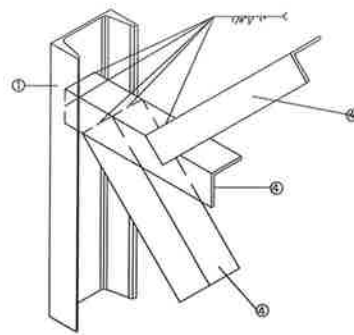


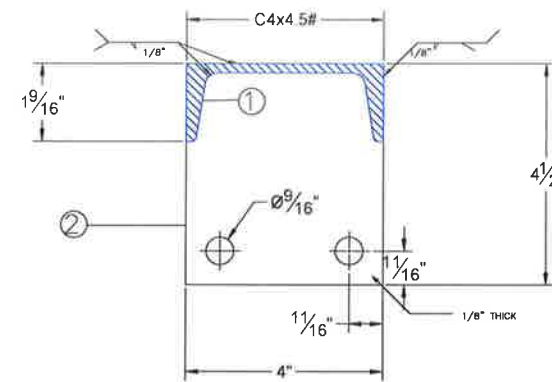
# GENERAL CONFIGURATION



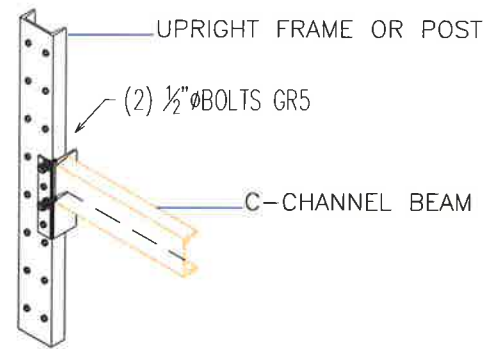
V-A TYPICAL BRACE TO COLUMN CONNECTION



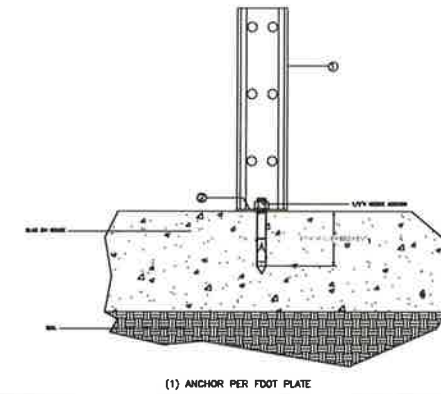
2 FOOTPLATE DETAIL



V-B TYPICAL BEAM TO COLUMN CONNECTION

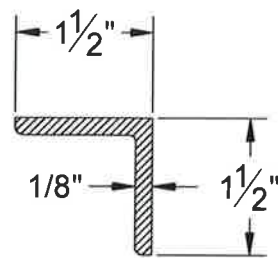


3 ANCHOR DETAIL

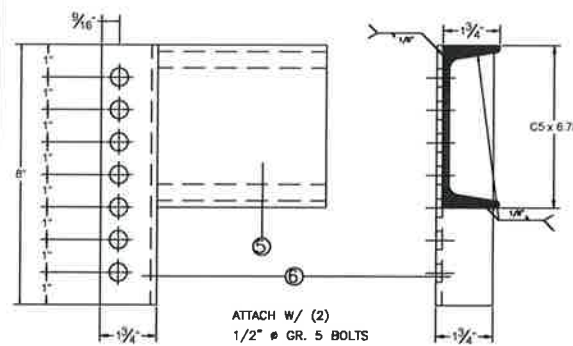


(1) ANCHOR PER FOOT PLATE

4 HORIZONTAL & DIAGONAL BRACE

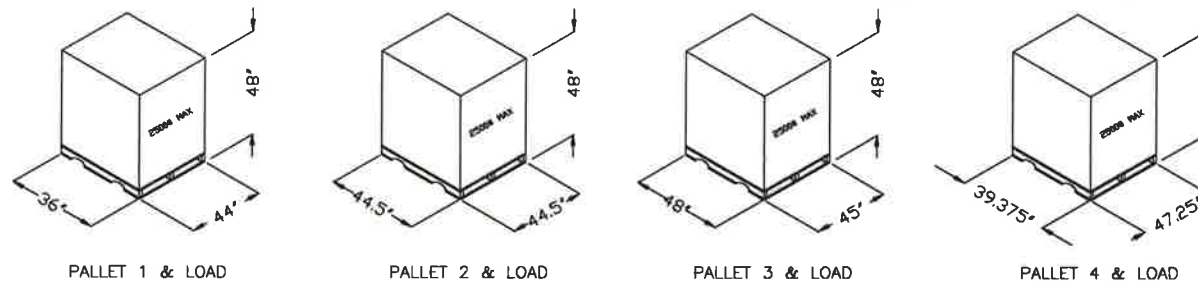


5 BEAM AND CLIP DETAIL

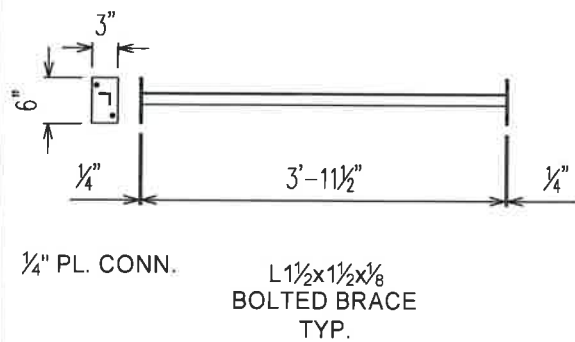


ATTACH W/ (2) 1/2" GR. 5 BOLTS

9 PALLET SIZE FOR DESIGN CALCULATIONS



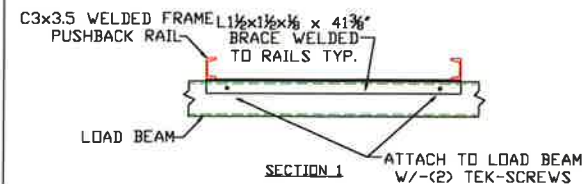
7 ROW SPACER DETAIL



1/4" PL. CONN.

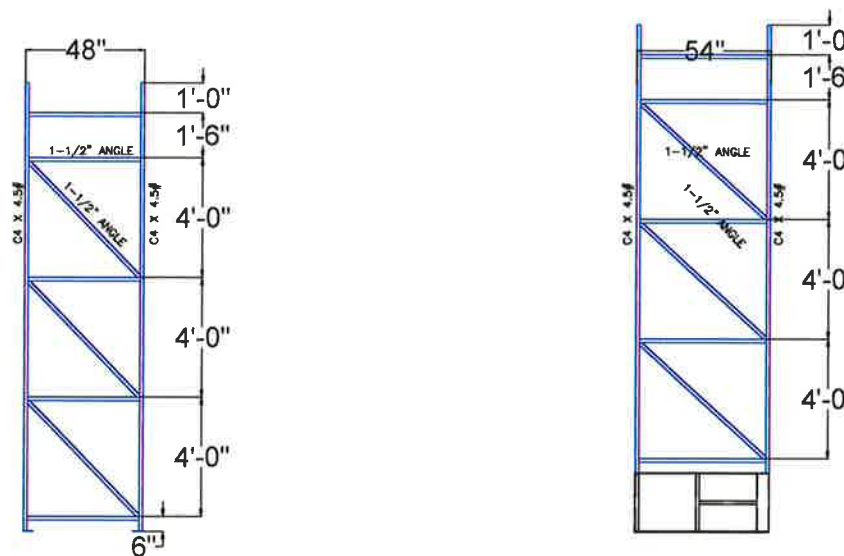
L1 1/2 x 1 1/2 x 1/8 BOLTED BRACE TYP.

8 PUSHBACK TRAY SECTION



ATTACH TO LOAD BEAM W/-(2) TEK-SCREWS

4 UPRIGHT PANEL DETAIL



DATE:	
DESCRIPTION:	
REV #:	
REV DATE:	

**COMPONENT DETAILS**  
 MOSAIC NEW WALES STOREROOM  
 3095 COUNTY ROAD 640 WEST  
 MULBERRY, FLORIDA 33860

DRAWING NAME:	
PREPARED FOR:	
DATE:	8/3/2015
PROJECT #:	57125
SHEET #:	3.0
TOTAL SHEETS:	0

HATCH		VENDOR DATA REVIEW	
Doc Number:	E343314-PM021-50-042-0001-004	Sub:	02
Date Received:		Review Grade:	
<input type="checkbox"/> C1 - Proceed to next submission & status		<input type="checkbox"/> Cancel/Post	
<input type="checkbox"/> C2 - Proceed with exceptions as noted in next submission & status		<input type="checkbox"/> Hold	
<input type="checkbox"/> C3 - Do not proceed, revise as noted & resubmit		<input type="checkbox"/> Next Submission	
<input type="checkbox"/> C4 - No further submission required - Complete		<input type="checkbox"/> No Further Submission	
<input type="checkbox"/> C5 - No further submission required - Cancelled		<input type="checkbox"/> Cancelled	
<input type="checkbox"/> C6 - No further submission required - Submittal		<input type="checkbox"/> Submittal	

CUSTOMER APPROVAL

PRINT NAME:

SIGNATURE: