

Kuri (MDG-217)

Product Specification

Wireless Broadband Anywhere

<http://www.gemtek.com.tw>

Editor: Wayne Chu

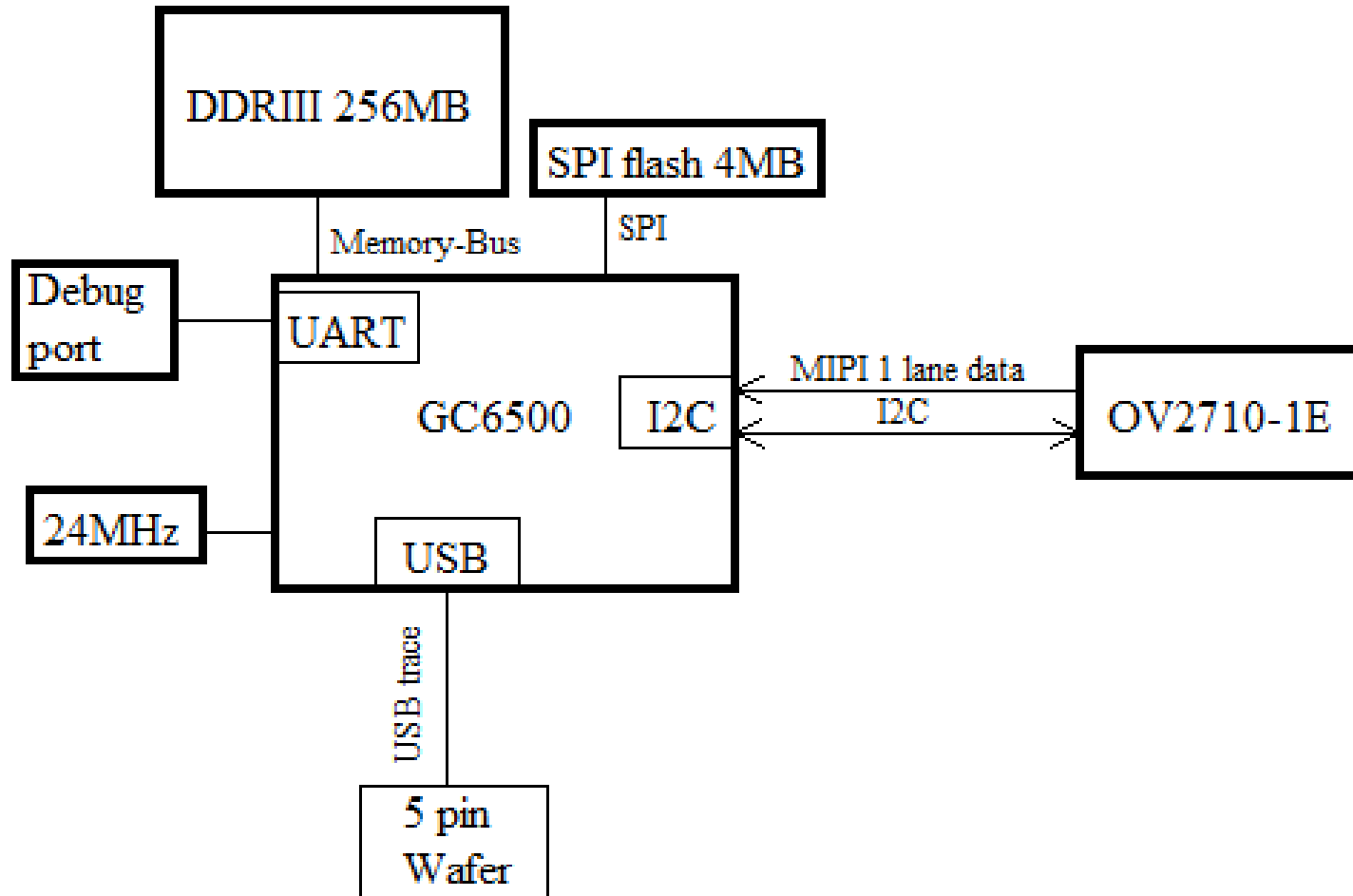
Date: 20171121

Confidential

1

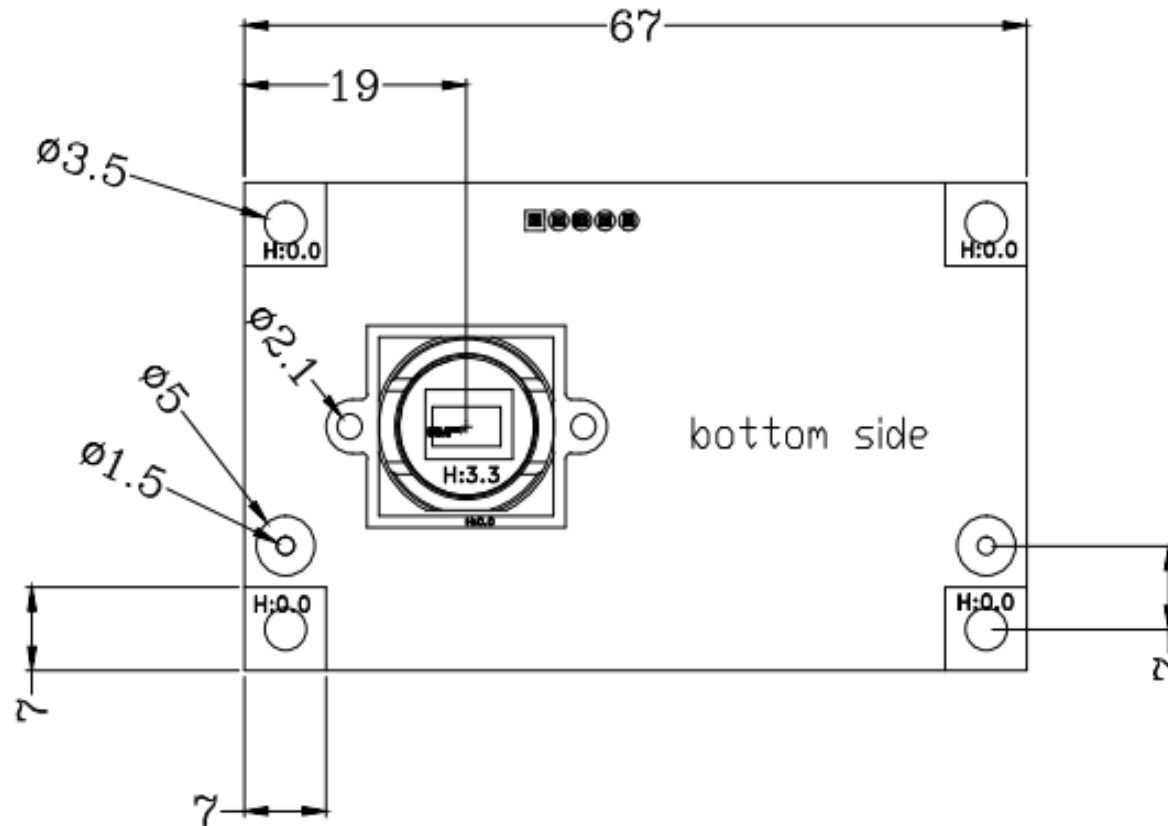
Gemtek
Wireless Broadband Anywhere

Block Diagram



Camera Module Dimension

- PCB Dimension: 67x41mm



General Specification

Item	Description
Video IC	GEO GC6500
Video SPI flash	4MB (NOR Flash)
Video RAM	256MB @16-bit DDR3
CMOS Sensor	OV2710
Connector I/O	5pin Wafer
Power Consumption	Active mode:1.4W
Safety Regulation	ESD Air:8k / Contact:4k
Weight	18.2g

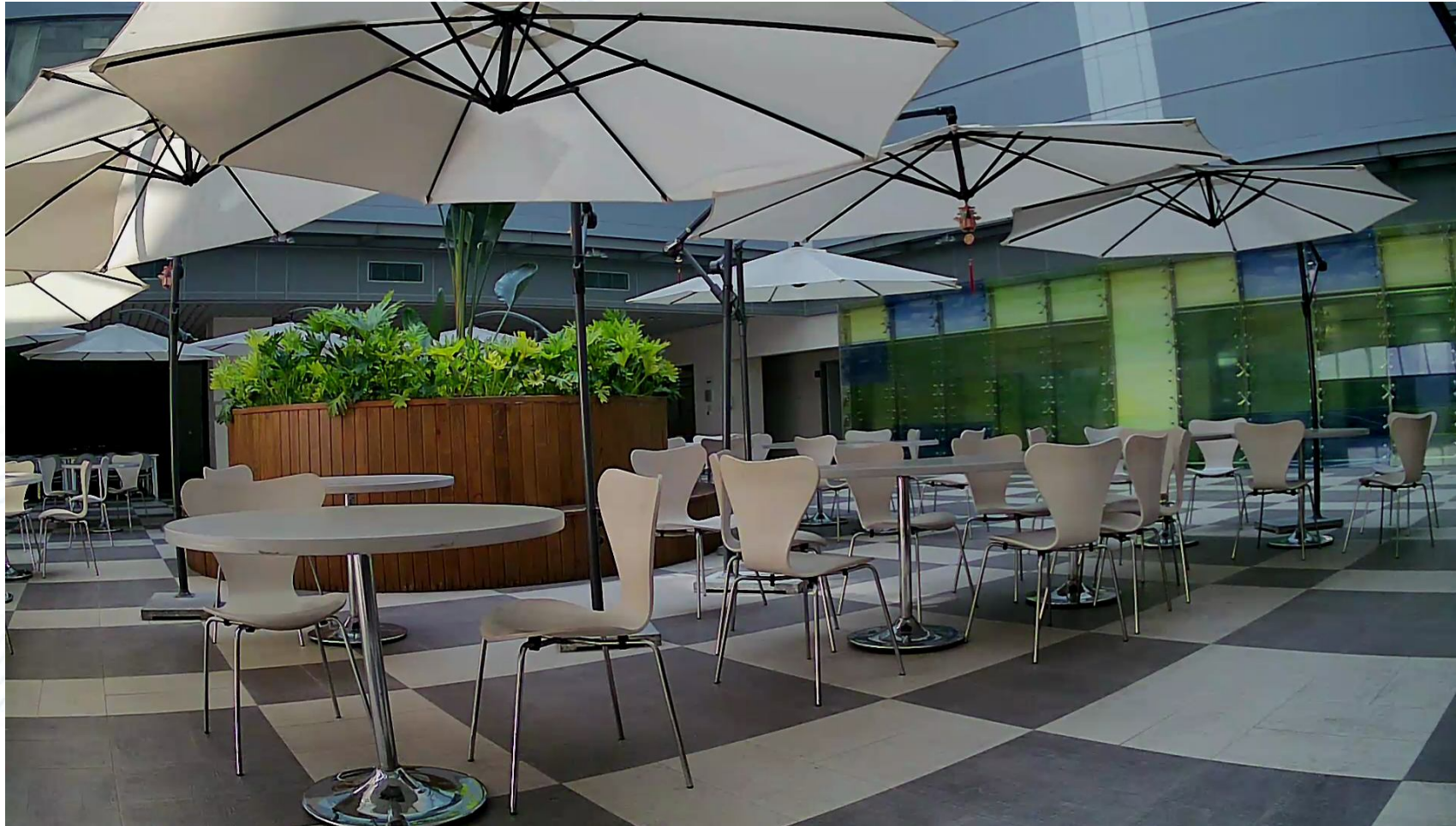
- <http://www.gemtek.com.tw>
- * No audio related components
 - * No RF related components

Image Specification

Item	Description
CMOS sensor	1/2.7" OV2710
Active array size	1920*1080
Interface to GC6500	1-lane MIPI
Chief Ray Angle	23.6°
Pixel size	3um*3um
Image area	5856um*3276um
Lens EFL	4mm
Lens F/No.	2.0
Lens FOV	Horizontal:87.5°, Vertical: 47.0°

ments
NO RF related components

Real Photograph



Copyright © 2002 Gemtek Technology Co., Ltd.
All Rights Reserved. 2017/11/21

Confidential
6

Gemtek
Wireless Broadband Anywhere