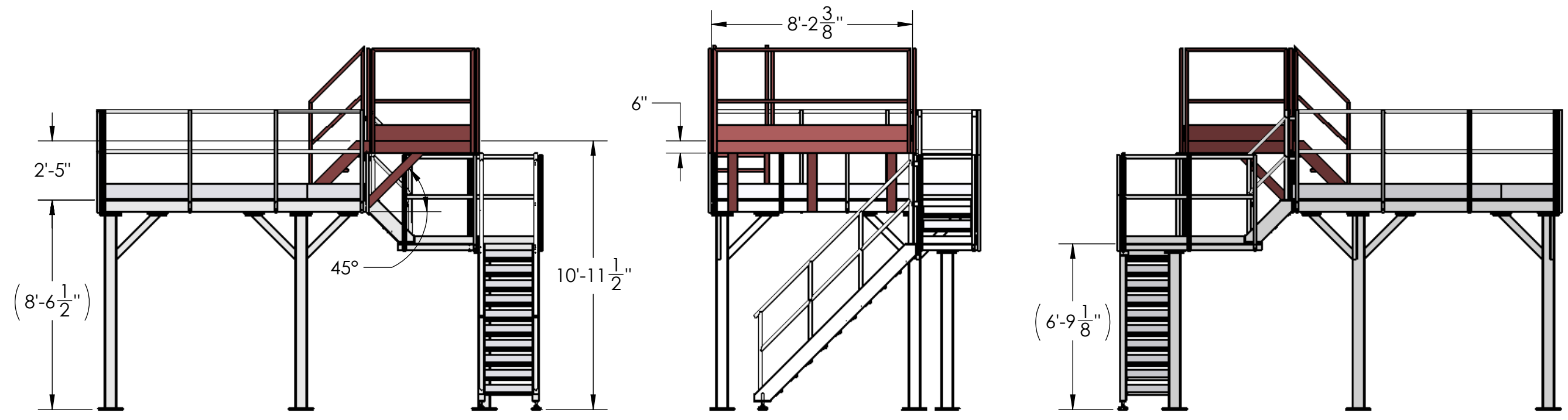



DECKING, KICK PLATES, RAILINGS, PAINT COLORS, ETC. MUST MATCH THE EXISTING MEZZANINE.
 DIMENSION AND RENDERING ARE SUPPLIED FOR CONCEPT ONLY.
 ALL DIMENSIONS, LOAD BEARING CALCULATIONS, ETC. ARE THE RESPONSIBILITY OF THE FABRICATOR.

PORTIONS SHOWN IN RED ARE ADDITIONS TO THE EXISTING MEZZANINE



DESIGNED BY EW	DATE XX/XX/XX	DRAWN BY EW	DATE XX/XX/XX	APPROVED BY	DATE	DESCRIPTION	DATE
							MODIFIED PACKAGING MEZZANINE
<small>CONFIDENTIAL THIS MATERIAL IS THE CONFIDENTIAL PROPERTY OF FERRARA CANDY COMPANY AND SHOULD NOT BE REPRODUCED, PUBLISHED OR DISCLOSED WITHOUT EXPRESSED WRITTEN CONSENT. PRINT MUST BE RETURNED UPON REQUEST.</small>							
SHT 1 OF 1 DRAWING NUMBER LUX177-Mod							